

ABB BALDOR RELIANCE III

Customer information packet

ECP844252T-5

250HP, 3575RPM, 3PH, 60HZ, 449TS, TEFC, FOOT,

Class - CLI GP A,B,C,D

Division - Division II

Specifications

Enclosure	TEFC
Frame	449TS
Frame Material	Iron
Frequency	60.00 Hz
Haz Area Class and Group	CLI GP A,B,C,D
Haz Area Division	Division II
Motor Letter Type	Three Phase
Output @ Frequency	250.000 HP @ 60 HZ
Phase	3
Synchronous Speed @ Frequency	3600 RPM @ 60 HZ
Voltage @ Frequency	575.0 V @ 60 HZ
Agency Approvals	UR CCSA US
Ambient Temperature	40 °C
Auxiliary Box	NO AUXILLARY BOX
Base Indicator	Rigid
Bearing Grease Type	Polyrex EM (-20F +300F)
Constant Torque Speed Range	30-60
Current @ Voltage	212.000 A @ 575.0 V
Design Code	B
Drip Cover	No Drip Cover
Duty Rating	CONT
Efficiency @ 100% Load	96.2 %
Enclosure Modification	841
Feedback Device	NO FEEDBACK
Haz Area Temp Code	T2C
Heater Indicator	No Heater
High Voltage Full Load Amps	212.0 a
Insulation Class	F
Inverter Code	Inverter Ready
IP Rating	IP56
KVA Code	G

Part Detail

Revision	B
Type	AC
Mech. spec.	
Base	
Status	PRD/A
Elec. spec.	A44WG1506
Layout	617434-664
Eff. date	11-13-2020
CD Diagram	416820-036
Poles	02
Leads	3#1/0 (02 per group)
Proprietary	False
Created date	12-10-2018

Lifting Lugs	No Lifting Lugs
Motor Lead Quantity/Wire Size	6 @ 1/0 AWG
Motor Standards	None
Motor Type	A44128M
Mounting Arrangement	F1
No Load Current	37.3 a
Number of Poles	2
Overall Length	49.72 IN
Power Factor	91
Pulley End Bearing Type	Ball
Pulley Face Code	Standard
Service Factor	1.15
Shaft Diameter	2.375 IN
Shaft Ground Indicator	No Shaft Grounding
Shaft Rotation	Phase Seq-Std Rot (CCWODE)
Shaft Slinger Indicator	No Slinger
Speed	3570 rpm
Speed Code	Single Speed
Starting Method	Direct on line
Thermal Device - Bearing	None
Thermal Device - Winding	None

Nameplate

NP3237

CAT NO	ECP844252T-5	SPEC NO.	A44-5000-1506						
HP	250	AMPS	212	VOLTS	575	DESIGN	B		
FRAME SIZE	449TS	RPM	3570	HZ	60	AMB	40	SF	1.15
D.E. BRG.DATA	6313	O.D.E. BRG.DATA	6313	PH	3	DUTY	CONT	INSUL.CLASS	
D.E. BRG.	65BC03J30X	ENCL	TEFC	CODE	G				
O.D.E. BRG.	65BC03J30X	POWER FACTOR	91	NEMA-NOM-EFFICIENCY	96.2				
3/4 LOAD EFF.	96.6	IP	56	MAX CORR KVAR	23.0	GUARANTEED EFFICIENCY	95.4		
TEMP CODE	T2C	TEMP =	230						
CHP HZ	60-75	CT HZ	30-60	VT HZ	0-60				
INVERTER-TEMP-CODE	T2C								
SER.NO.		MOTOR WEIGHT	2784						

000613007EX

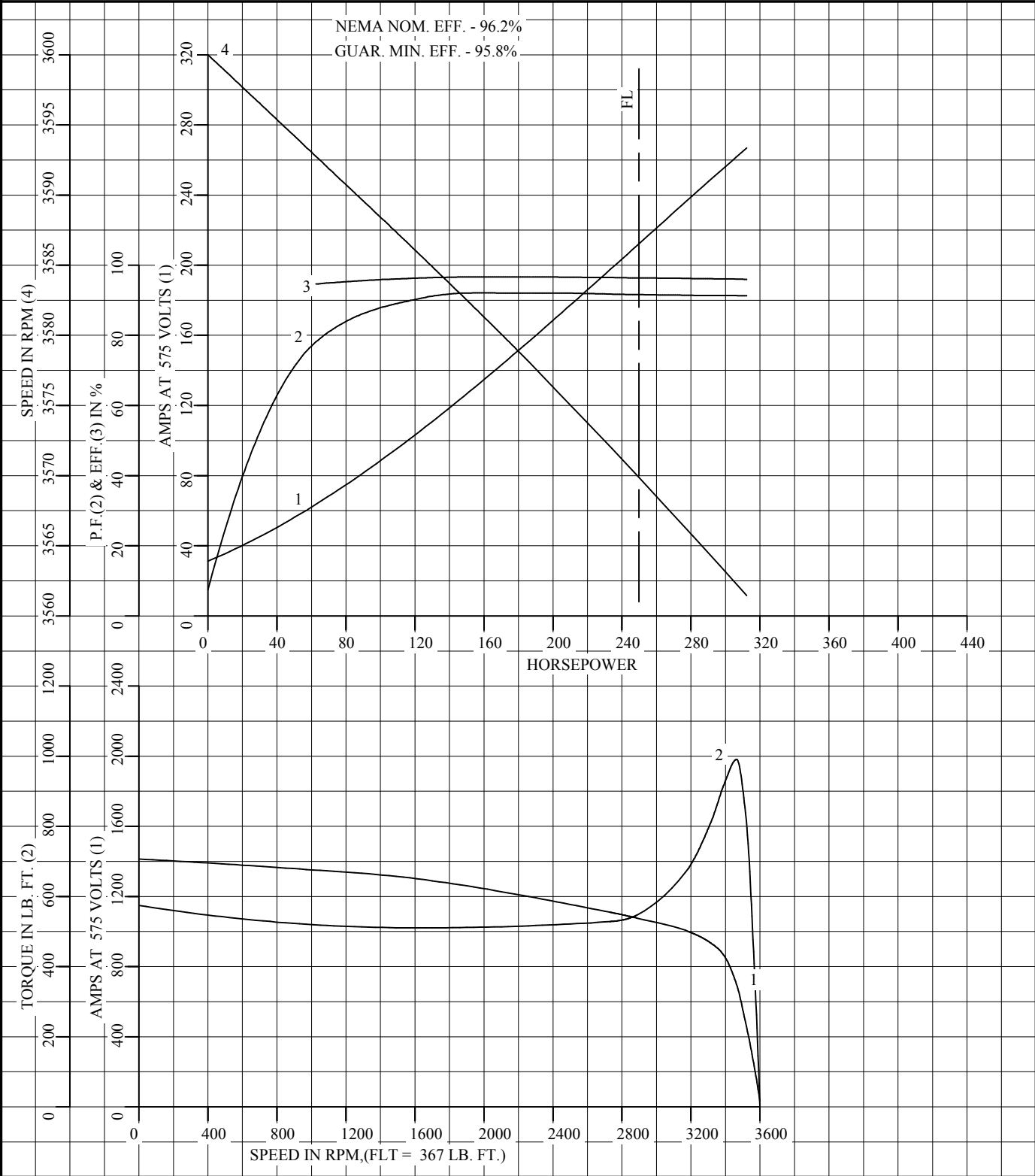
CAT NO	ECP844252T-5	SPEC NO.	A44-5000-1506	
NO. ROTOR BARS	40	GREASE TYPE	POLYREX EM	
NO. SLOTS	48	NL AMPS AT RATED VOLTAGE	37.3	
5 YEAR WARRANTY		WINDING RES @25 C	.0182	OHMS
MFG. DATE		SER.NO		

FRAME 449T
HP 250
TYPE P
PHASE/HERTZ 3/60

RPM 3570
VOLTS 575
AMPS 212
DUTY CONT
AMB °C/INSUL 40/F

NEMA DESIGN B
CODE LETTER G
ENCLOSURE FCXE
E/S -

TEST S.O. TYPICAL DATA
TEST DATE ---
STATOR RES. @ 25 °C .0184
OHMS (BETWEEN LINES)




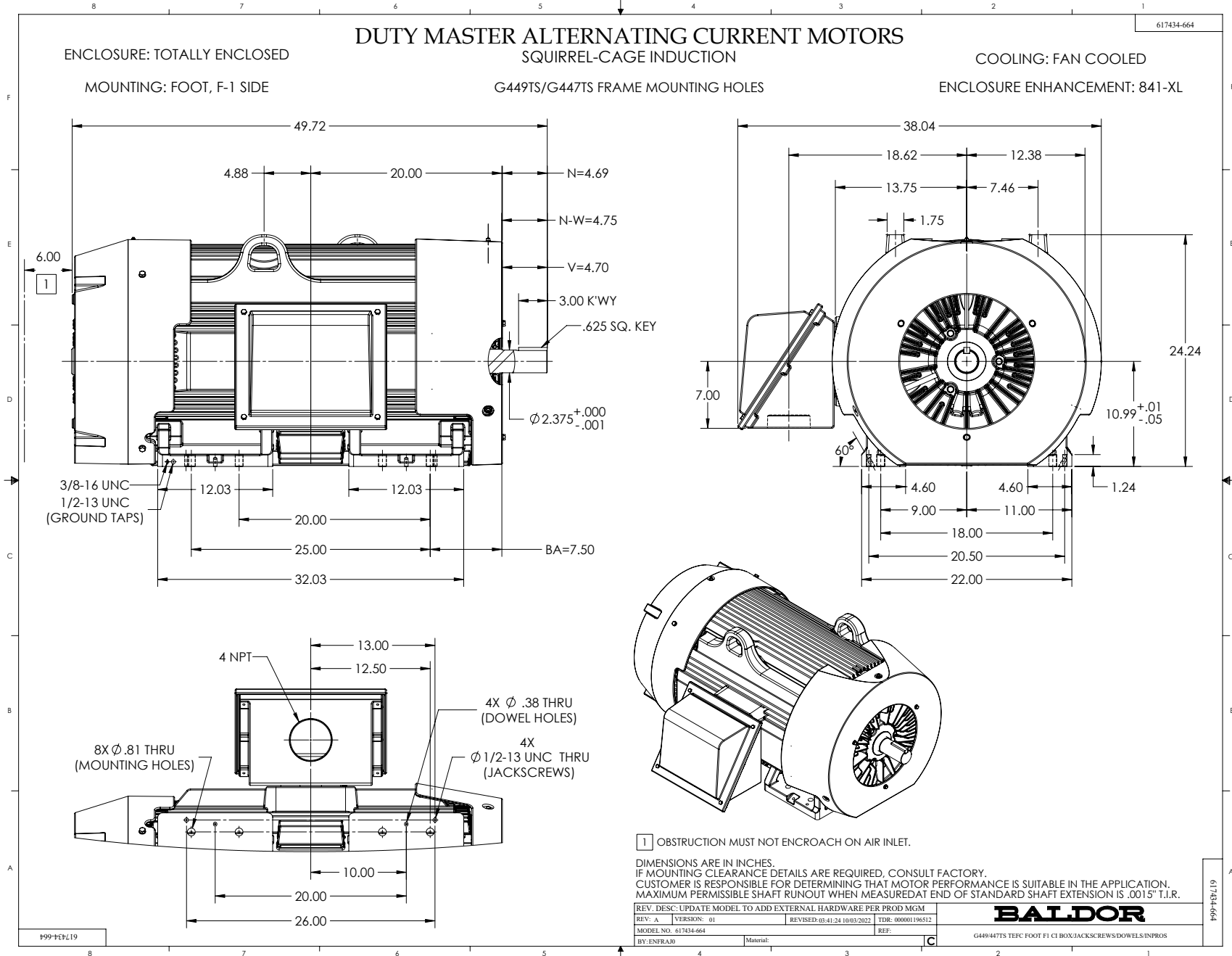
AMPERES SHOWN FOR 575 VOLT CONNECTION, IF OTHER VOLTAGE CONNECTIONS ARE AVAILABLE, THE AMPERES WILL VARY INVERSELY WITH THE RATED VOLTAGE.

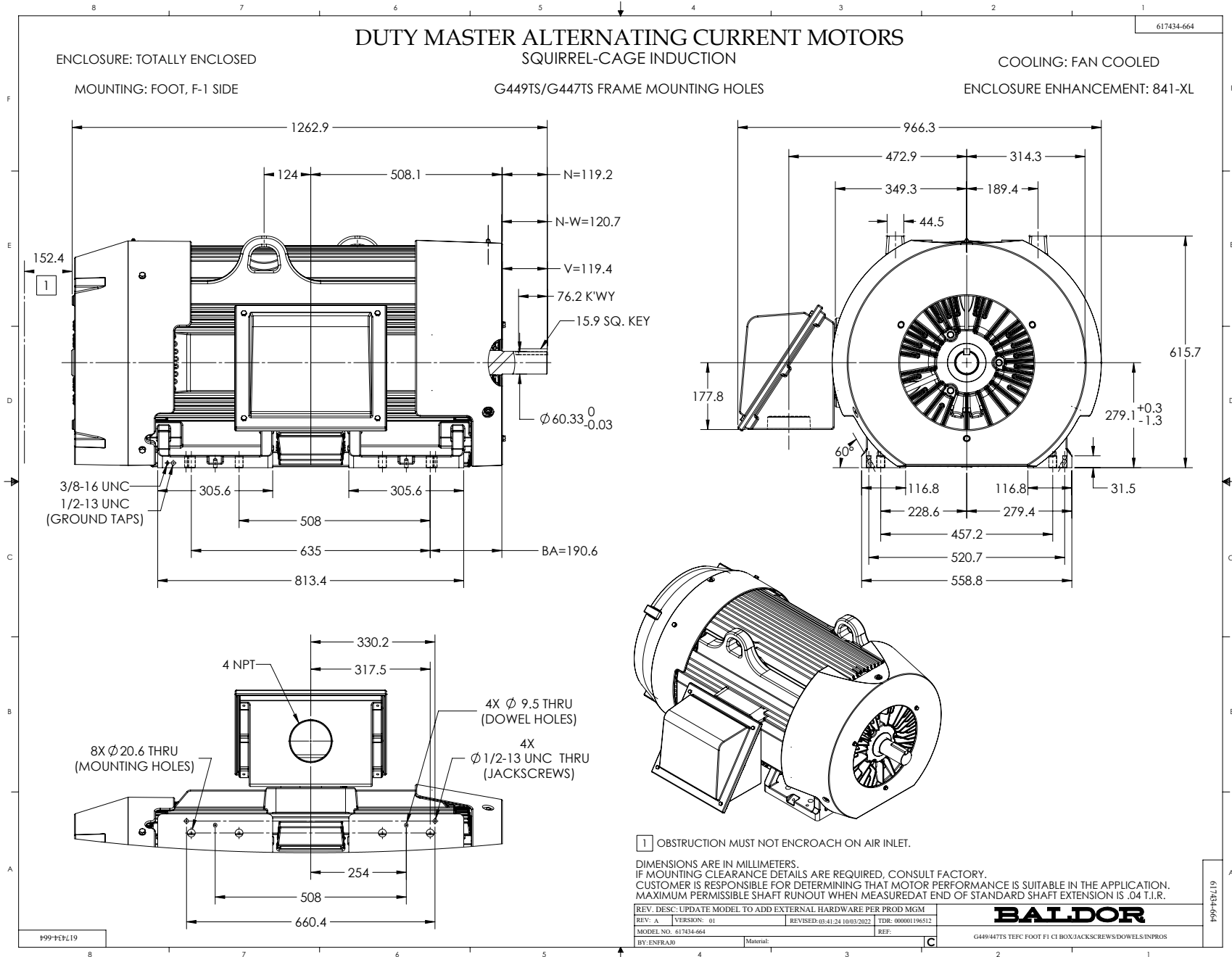


DR. BY W. L. SMITH
CK. BY C.E.JAMISON
APP. BY W. L. SMITH
DATE 09/11/13

**A-C MOTOR
PERFORMANCE CURVES** A44WG1506-R001
ISSUE DATE 09/11/13

REL. S.O.	FRAME	HP	TYPE	PHASE/ HERTZ	RPM	VOLTS	
	449T	250	P	3/60	3570	575	
AMPS	DUTY	AMB °C/ INSUL.	S.F.	NEMA DESIGN	CODE LETTER	ENCL.	
212	CONT	40/F	1.15	B	G	FCXE	
E/S	ROTOR	TEST S.O.	TEST DATE	STATOR RES. @25 °C OHMS (BETWEEN LINES)			
-	418143-3SE	---	---	.0184			
PERFORMANCE							
LOAD	HP	AMPERES	RPM	% POWER FACTOR	% EFFICIENCY		
NO LOAD	0	31.3	3600	7.50	0		
1/4	62.5	63.4	3593	78.1	94.6		
2/4	125	107	3585	90.7	96.4		
3/4	187	158	3578	92.0	96.6		
4/4	250	212	3570	91.6	96.4		
5/4	312	267	3561	91.3	96.0		
SPEED TORQUE							
		RPM	TORQUE % FULL LOAD	TORQUE LB.-FT.	AMPERES		
LOCKED ROTOR		0	156	575	1413		
PULL UP		1620	139	510	1300		
BREAKDOWN		3465	270	991	696		
FULL LOAD		3570	100	367	212		
<p>AMPERES SHOWN FOR 575. VOLT CONNECTION. IF OTHER VOLTAGE CONNECTIONS ARE AVAILABLE, THE AMPERES WILL VARY INVERSELY WITH THE RATED VOLTAGE</p> <p>REMARKS: TYPICAL DATA NEMA NOM. EFF. - 96.2% GUAR. MIN. EFF. - 95.8%</p>							
		DR. BY <u>W. L. SMITH</u>		A-C MOTOR PERFORMANCE A44WG1506-R001 DATA			
		CK. BY <u>C. E. JAMISON</u>					ISSUE DATE <u>09/11/13</u>
		APP. BY <u>W. L. SMITH</u>					
		DATE <u>09/11/13</u>					





416820-036

**A-C MOTOR
CONNECTION DIAGRAM
STANDARD 3 LEAD CONNECTED**



(N.P. 1575-BA)

416820-036

REV. DESC: LOADED TO BUS, C/R 335225		
REV. LTR: -	VERSION: 00	TDR: 000000538207
FILE: \MGA\00000\682	REVISED: 11:54:06 04/30/2010	
MTL: -	BY: RAGRA	

BALDOR

CONN DIAG - STANDARD 3 LEAD
SH 1 of 1