



---

# Customer information packet

## ECP844206TR-5

200HP, 1190RPM, 3PH, 60HZ, 449T, TEFC, FOOT,  
Class - CLI GP A,B,C,D  
Division - Division II

## Specifications

Enclosure	TEFC
Frame	449T
Frame Material	Iron
Frequency	60.00 Hz
Haz Area Class and Group	CLI GP A,B,C,D
Haz Area Division	Division II
Motor Letter Type	Three Phase
Output @ Frequency	200.000 HP @ 60 HZ
Phase	3
Synchronous Speed @ Frequency	1200 RPM @ 60 HZ
Voltage @ Frequency	575.0 V @ 60 HZ
Agency Approvals	UR CCSA US
Ambient Temperature	40 °C
Auxillary Box	No Auxillary Box
Base Indicator	Rigid
Bearing Grease Type	Mobil SHC 220 (Athens Only)
Constant Torque Speed Range	30-60
Current @ Voltage	180.000 A @ 575.0 V
Design Code	B
Drip Cover	No Drip Cover
Duty Rating	CONT
Efficiency @ 100% Load	95.8 %
Enclosure Modification	841
Feedback Device	NO FEEDBACK
Haz Area Temp Code	T3
Heater Indicator	No Heater
High Voltage Full Load Amps	180.0 a
Insulation Class	F
Inverter Code	Not Inverter
IP Rating	IP56
KVA Code	G

## Part detail

Revision	F
Type	AC
Mech. spec.	
Base	
Status	PRD/A
Elec. spec.	A44WG1498
Layout	617434-667
Eff. date	12-11-2023
CD Diagram	416820-036
Poles	06
Leads	3#2/0
Proprietary	False
Created date	12-10-2018

<b>Lifting Lugs</b>	No Lifting Lugs
<b>Motor Lead Quantity/Wire Size</b>	3 @ 2/0 AWG
<b>Motor Standards</b>	Other
<b>Motor Type</b>	A44160M
<b>Mounting Arrangement</b>	F1
<b>No Load Current</b>	44.2 a
<b>Number of Poles</b>	6
<b>Overall Length</b>	53.27 IN
<b>Power Factor</b>	87
<b>Pulley End Bearing Type</b>	Roller
<b>Pulley Face Code</b>	C-Face
<b>Service Factor</b>	1.15
<b>Shaft Diameter</b>	3.375 IN
<b>Shaft Ground Indicator</b>	No Shaft Grounding
<b>Shaft Rotation</b>	Phase Seq-Std Rot (CCWODE)
<b>Shaft Slinger Indicator</b>	No Slinger
<b>Speed</b>	1190 rpm
<b>Speed Code</b>	Single Speed
<b>Starting Method</b>	Direct on line
<b>Thermal Device - Bearing</b>	None
<b>Thermal Device - Winding</b>	None

**Nameplate**

**NP4566**

<b>CAT NO</b>	ECP844206TR-5	<b>SPEC NO.</b>	A44-1503-1498						
<b>HP</b>	200	<b>AMPS</b>	180	<b>VOLTS</b>	575	<b>DESIGN</b>	B		
<b>FRAME SIZE</b>	449T	<b>RPM</b>	1190	<b>HZ</b>	60	<b>AMB</b>	40	<b>SF</b>	1.15
<b>D.E. BRG.DATA</b>	NU222	<b>O.D.E. BRG.DATA</b>	6318	<b>PH</b>	3	<b>DUTY</b>	CONT	<b>INSUL.CLASS</b>	F
<b>D.E. BRG.</b>	110RU02M30X	<b>TYPE</b>	ENCL	<b>TEFC</b>	CODE	G			
<b>O.D.E. BRG.</b>	90BC03J30X	<b>POWER FACTOR</b>	87	<b>NEMA-NOM-EFFICIENCY</b>	95.8				
<b>3/4 LOAD EFF.</b>	96.5	<b>IP</b>	56	<b>MAX CORR KVAR</b>	35.0	<b>GUARANTEED EFFICIENCY</b>	95		
<b>TEMP CODE</b>	T3	<b>TEMP =</b>	200						
<b>CHP HZ</b>	60-90	<b>CT HZ</b>	30-60	<b>VT HZ</b>	0-60				
<b>INVERTER-TEMP-CODE</b>	T3								
<b>SER.NO.</b>		<b>MOTOR WEIGHT</b>							

---

**000613007EX**

---

<b>CAT NO</b>	ECP844206TR-5	<b>SPEC NO.</b>	A44-1503-1498	
<b>NO. ROTOR BARS</b>	71	<b>GREASE TYPE</b>	MOBIL SHC 220	
<b>NO. SLOTS</b>	90	<b>NL AMPS AT RATED VOLTAGE</b>		44.2
<b>5 YEAR WARRANTY</b>		<b>WINDING RES @25 C</b>	.0345	<b>OHMS</b>
<b>MFG. DATE</b>		<b>SER.NO</b>		

---

---

**NP2496L**

---

MOBIL SHC -220 GREASE

---









617434-667

ENCLOSURE: TOTALLY ENCLOSED

**DUTY MASTER ALTERNATING CURRENT MOTORS**

SQUIRREL-CAGE INDUCTION

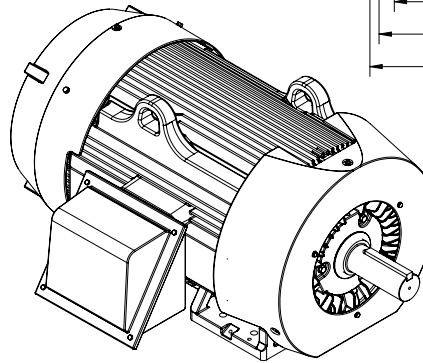
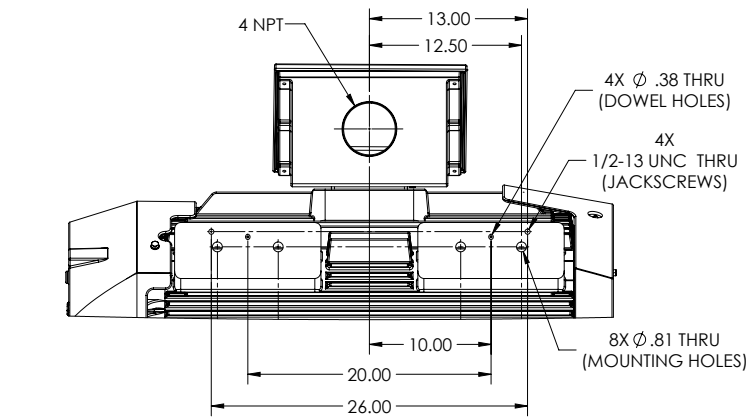
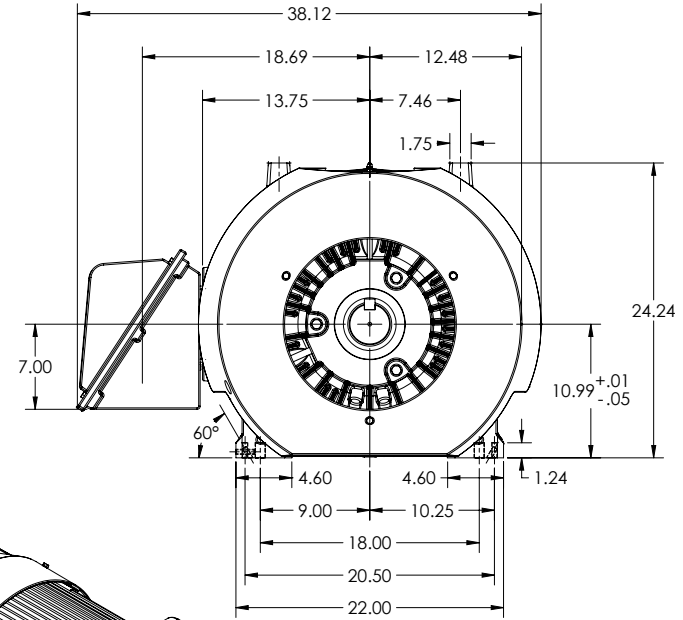
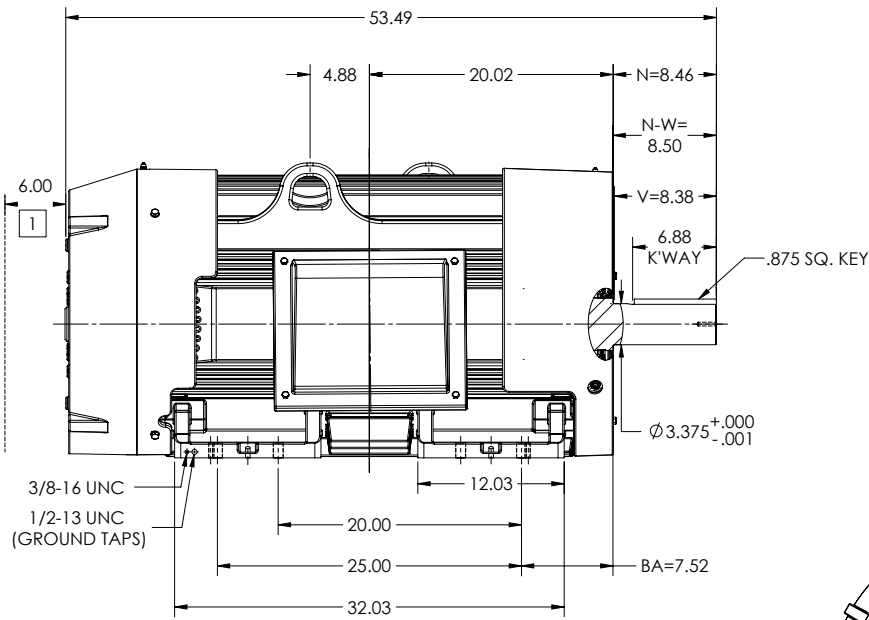
COOLING: FAN COOLED

MOUNTING: FOOT, F-1 SIDE

G449T/G447T FRAME MOUNTING HOLES

ENCLOSURE ENHANCEMENT: 841-XL

ROLLER BEARING DESIGN



1 OBSTRUCTION MUST NOT ENCR OACH ON AIR INLET.

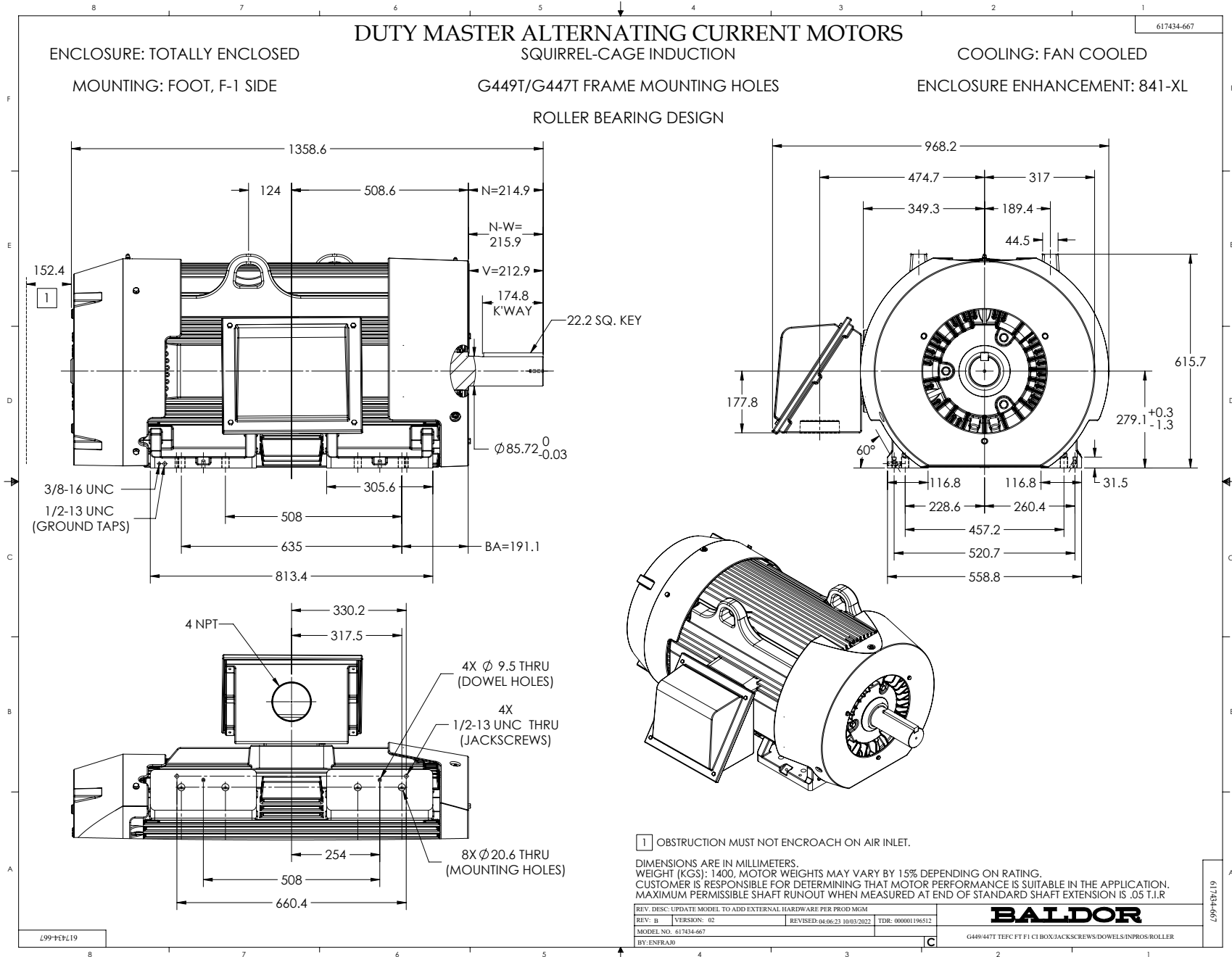
DIMENSIONS ARE IN INCHES.  
 WEIGHT (LBS): 3080. MOTOR WEIGHTS MAY VARY BY 15% DEPENDING ON RATING.  
 CUSTOMER IS RESPONSIBLE FOR DETERMINING THAT MOTOR PERFORMANCE IS SUITABLE IN THE APPLICATION.  
 MAXIMUM PERMISSIBLE SHAFT RUNOUT WHEN MEASURED AT END OF STANDARD SHAFT EXTENSION IS .002 T.I.R

REV. DESC: UPDATE MODEL TO ADD EXTERNAL HARDWARE PER PROD MGM	VERSION: 02	REVISED: 04/06/23 10/03/2022	TDR: 000001196512
MODEL NO. 617434-667	BY: ENFRAM		

**BALDOR**

G449/447T TEFC FT F1 C1 BOX/JACKSCREWS/DOWELS/INPROS/ROLLER

617434-667



416820-036

A-C MOTOR  
CONNECTION DIAGRAM  
STANDARD 3 LEAD CONNECTED



(N.P. 1575-BA)

416820-036

REV. DESC: LOADED TO BUS, C/R 335225		
REV. LTR: -	VERSION: 00	TDR: 000000538207
FILE: \MGA\00000\682	REVISED: 11:54:06 04/30/2010	
MTL: -	BY: RAGRA	

**BALDOR**

CONN DIAG - STANDARD 3 LEAD  
SH 1 of 1