



---

# Customer information packet

## ECP84416T-5

200HP, 3575RPM, 3PH, 60HZ, 447TS, A44104M, TEF

Class - CLI GP A,B,C,D

Division - Division II

## Specifications

Enclosure	TEFC
Frame	447TS
Frame Material	Iron
Frequency	60.00 Hz
Motor Letter Type	Three Phase
Output @ Frequency	200.000 HP @ 60 HZ
Phase	3
Synchronous Speed @ Frequency	3600 RPM @ 60 HZ
Voltage @ Frequency	575.0 V @ 60 HZ
XP Class and Group	CL I GP A,B,C,D
XP Division	Division II
Agency Approvals	CCSA US UR
Ambient Temperature	40 °C
Auxillary Box	No Auxillary Box
Base Indicator	Rigid
Bearing Grease Type	Polyrex EM (-20F +300F)
Constant Torque Speed Range	30-60
Current @ Voltage	172.000 A @ 575.0 V
Design Code	B
Drip Cover	No Drip Cover
Duty Rating	CONT
Efficiency @ 100% Load	95.4 %
Feedback Device	NO FEEDBACK
Heater Indicator	No Heater
High Voltage Full Load Amps	172.0 a
Insulation Class	F
Inverter Code	Inverter Ready
KVA Code	G
Lifting Lugs	No Lifting Lugs
Motor Lead Quantity/Wire Size	6 @ 1/0 AWG
Motor Standards	None

## Part detail

Revision	-
Type	AC
Mech. spec.	
Base	
Status	PRD/A
Elec. spec.	A44WG3931
Layout	617435-474
Eff. date	06-23-2022
CD Diagram	416820-036
Poles	02
Leads	3#1/0 (02 per group)
Proprietary	False
Created date	03-14-2022

<b>Motor Type</b>	A44104M
<b>Mounting Arrangement</b>	F1
<b>No Load Current</b>	38.6 a
<b>Number of Poles</b>	2
<b>Overall Length</b>	44.72 IN
<b>Power Factor</b>	90
<b>Pulley End Bearing Type</b>	Ball
<b>Pulley Face Code</b>	Standard
<b>Service Factor</b>	1.15
<b>Shaft Diameter</b>	2.375 IN
<b>Shaft Ground Indicator</b>	No Shaft Grounding
<b>Shaft Rotation</b>	Phase Seq-Std Rot (CCWODE)
<b>Shaft Slinger Indicator</b>	No Slinger
<b>Speed</b>	3575 rpm
<b>Speed Code</b>	Single Speed
<b>Starting Method</b>	Direct on line
<b>Thermal Device - Bearing</b>	None
<b>Thermal Device - Winding</b>	None
<b>XP Temp Code</b>	T2C

**Nameplate**

**NP3237**

<b>CAT NO</b>	ECP84416T-5	<b>SPEC NO.</b>	A44-0000-3931						
<b>HP</b>	200	<b>AMPS</b>	172	<b>VOLTS</b>	575	<b>DESIGN</b>	B		
<b>FRAME SIZE</b>	447TS	<b>RPM</b>	3575	<b>HZ</b>	60	<b>AMB</b>	40	<b>SF</b>	1.15
<b>D.E. BRG.DATA</b>	6313	<b>O.D.E. BRG.DATA</b>	6313	<b>PH</b>	3	<b>DUTY</b>	CONT	<b>INSUL.CLASS</b>	F
<b>D.E. BRG.</b>	65BC03J30X	<b>ENCL</b>	TEFC	<b>CODE</b>	G				
<b>O.D.E. BRG.</b>	65BC03J30X	<b>POWER FACTOR</b>	90	<b>NEMA-NOM-EFFICIENCY</b>	95.4				
<b>3/4 LOAD EFF.</b>	<b>IP</b>	56	<b>MAX CORR KVAR</b>	24.34	<b>GUARANTEED EFFICIENCY</b>	94.5			
<b>TEMP CODE</b>	T2C	<b>TEMP =</b>	230						
<b>CHP HZ</b>	60-75	<b>CT HZ</b>	30-60	<b>VT HZ</b>	0-60				
<b>INVERTER-TEMP-CODE</b>	T2C								
<b>SER.NO.</b>			<b>MOTOR WEIGHT</b>	2330					

---

**000613007EX**

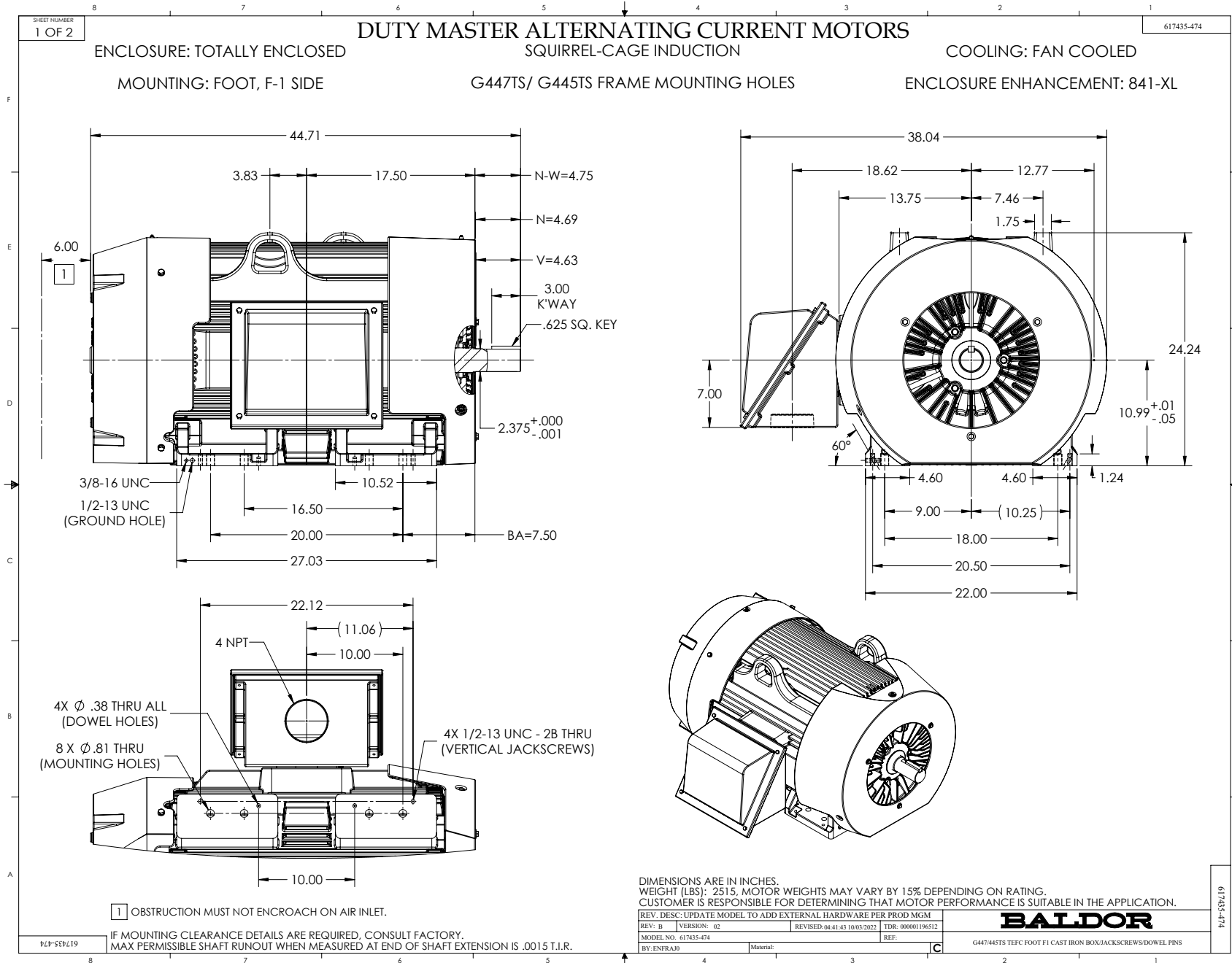
---

<b>CAT NO</b>	ECP84416T-5	<b>SPEC NO.</b>	A44-0000-3931	
<b>NO. ROTOR BARS</b>	40	<b>GREASE TYPE</b>	POLYREX EM	
<b>NO. SLOTS</b>	48	<b>NL AMPS AT RATED VOLTAGE</b>	38.6	
<b>5 YEAR WARRANTY</b>		<b>WINDING RES @25 C</b>	.0227	<b>OHMS</b>
<b>MFG. DATE</b>		<b>SER.NO</b>		

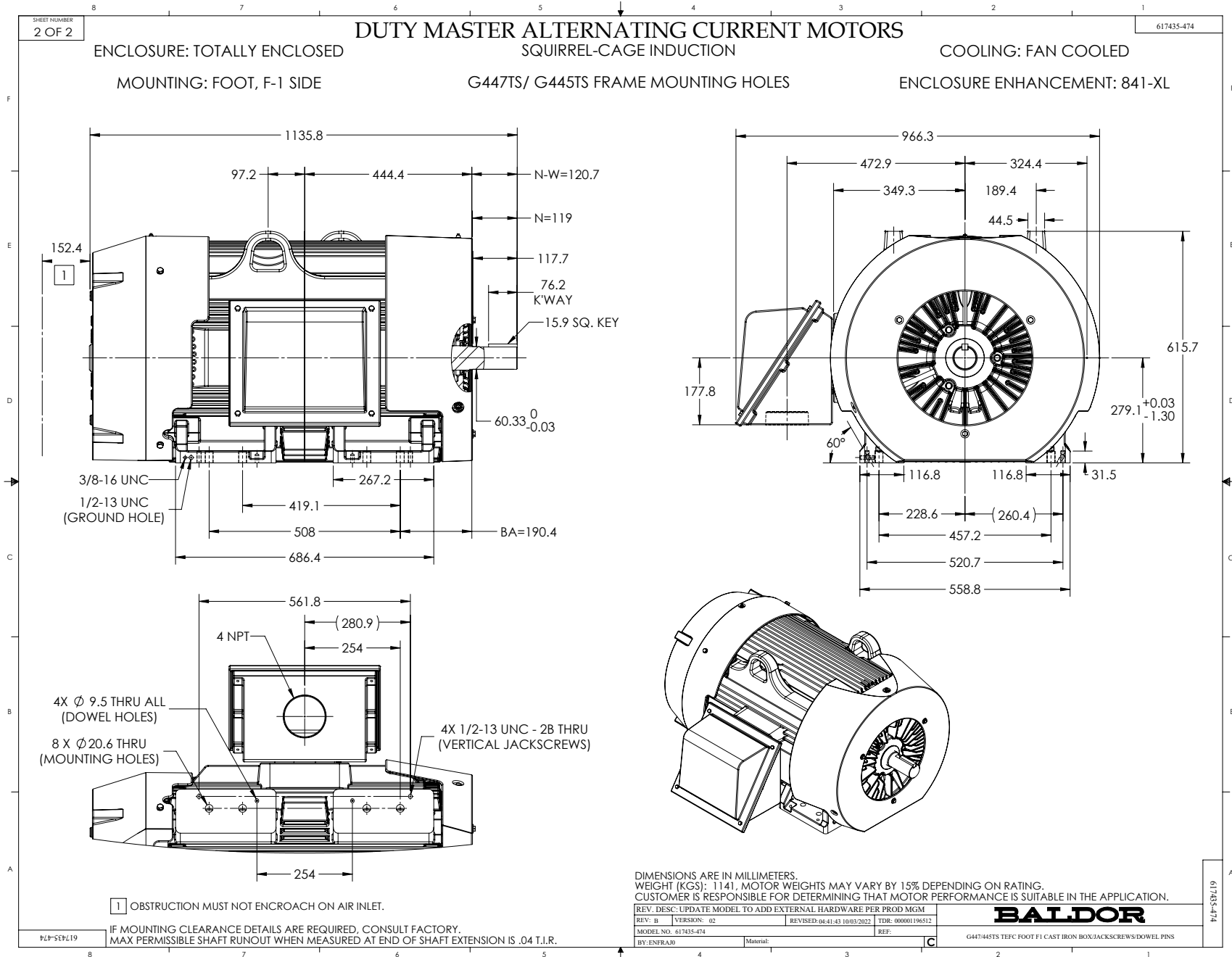
---











416820-036

A-C MOTOR  
CONNECTION DIAGRAM  
STANDARD 3 LEAD CONNECTED



(N.P. 1575-BA)

REV. DESC: LOADED TO BUS, C/R 335225		
REV. LTR: -	VERSION: 00	TDR: 000000538207
FILE: \MGA\00000\682	REVISED: 11:54:06 04/30/2010	
MTL: -	BY: RAGRA	

**BALDOR**

CONN DIAG - STANDARD 3 LEAD  
SH 1 of 1

416820-036