



---

# Customer information packet

## ECP844156TR-5

150HP, 1190RPM, 3PH, 60HZ, 447T, TEFC, FOOT,  
Class - CLI GP A,B,C,D  
Division - Division II

## Specifications

Enclosure	TEFC
Frame	447T
Frame Material	Iron
Frequency	60.00 Hz
Haz Area Class and Group	CLI GP A,B,C,D
Haz Area Division	Division II
Motor Letter Type	Three Phase
Output @ Frequency	150.000 HP @ 60 HZ
Phase	3
Synchronous Speed @ Frequency	1200 RPM @ 60 HZ
Voltage @ Frequency	575.0 V @ 60 HZ
Agency Approvals	UR CCSA US
Ambient Temperature	40 °C
Auxillary Box	No Auxillary Box
Base Indicator	Rigid
Bearing Grease Type	Mobil SHC 220 (Athens Only)
Constant Torque Speed Range	15-60
Current @ Voltage	136.000 A @ 575.0 V
Design Code	B
Drip Cover	No Drip Cover
Duty Rating	CONT
Efficiency @ 100% Load	95.8 %
Enclosure Modification	841
Feedback Device	NO FEEDBACK
Haz Area Temp Code	T3
Heater Indicator	No Heater
High Voltage Full Load Amps	136.0 a
Insulation Class	F
Inverter Code	Inverter Ready
IP Rating	IP56
KVA Code	F

## Part detail

Revision	F
Type	AC
Mech. spec.	
Base	
Status	PRD/A
Elec. spec.	A44WG1357
Layout	617434-663
Eff. date	12-11-2023
CD Diagram	416820-036
Poles	06
Leads	3#1
Proprietary	False
Created date	12-11-2018

<b>Lifting Lugs</b>	No Lifting Lugs
<b>Motor Lead Quantity/Wire Size</b>	3 @ 1 AWG
<b>Motor Standards</b>	Other
<b>Motor Type</b>	A44120M
<b>Mounting Arrangement</b>	F1
<b>No Load Current</b>	34.0 a
<b>Number of Poles</b>	6
<b>Overall Length</b>	48.46 IN
<b>Power Factor</b>	86
<b>Pulley End Bearing Type</b>	Roller
<b>Pulley Face Code</b>	Standard
<b>Service Factor</b>	1.15
<b>Shaft Diameter</b>	3.375 IN
<b>Shaft Ground Indicator</b>	No Shaft Grounding
<b>Shaft Rotation</b>	Phase Seq-Std Rot (CCWODE)
<b>Shaft Slinger Indicator</b>	No Slinger
<b>Speed</b>	1190 rpm
<b>Speed Code</b>	Single Speed
<b>Starting Method</b>	Direct on line
<b>Thermal Device - Bearing</b>	None
<b>Thermal Device - Winding</b>	None

**Nameplate**

**NP4566**

<b>CAT NO</b>	ECP844156TR-5	<b>SPEC NO.</b>	A44-7002-1357						
<b>HP</b>	150	<b>AMPS</b>	136	<b>VOLTS</b>	575	<b>DESIGN</b>	B		
<b>FRAME SIZE</b>	447T	<b>RPM</b>	1190	<b>HZ</b>	60	<b>AMB</b>	40	<b>SF</b>	1.15
<b>D.E. BRG.DATA</b>	NU222	<b>O.D.E. BRG.DATA</b>	6318	<b>PH</b>	3	<b>DUTY</b>	CONT	<b>INSUL.CLASS</b>	F
<b>D.E. BRG.</b>	110RU02M30X	<b>TYPE</b>	ENCL	<b>TEFC</b>	CODE	F			
<b>O.D.E. BRG.</b>	90BC03J30X	<b>POWER FACTOR</b>	86	<b>NEMA-NOM-EFFICIENCY</b>	95.8				
<b>3/4 LOAD EFF.</b>	96.2	<b>IP</b>	56	<b>MAX CORR KVAR</b>	25.0	<b>GUARANTEED EFFICIENCY</b>	95		
<b>TEMP CODE</b>	T3	<b>TEMP =</b>	200						
<b>CHP HZ</b>	60-90	<b>CT HZ</b>	15-60	<b>VT HZ</b>	0-60				
<b>INVERTER-TEMP-CODE</b>	T3								
<b>SER.NO.</b>		<b>MOTOR WEIGHT</b>							

---

**000613007EX**

---

<b>CAT NO</b>	ECP844156TR-5	<b>SPEC NO.</b>	A44-7002-1357	
<b>NO. ROTOR BARS</b>	71	<b>GREASE TYPE</b>	MOBIL SHC 220	
<b>NO. SLOTS</b>	90	<b>NL AMPS AT RATED VOLTAGE</b>	34.0	
<b>5 YEAR WARRANTY</b>		<b>WINDING RES @25 C</b>	.0507	<b>OHMS</b>
<b>MFG. DATE</b>		<b>SER.NO</b>		

---

---

**NP2496L**

---

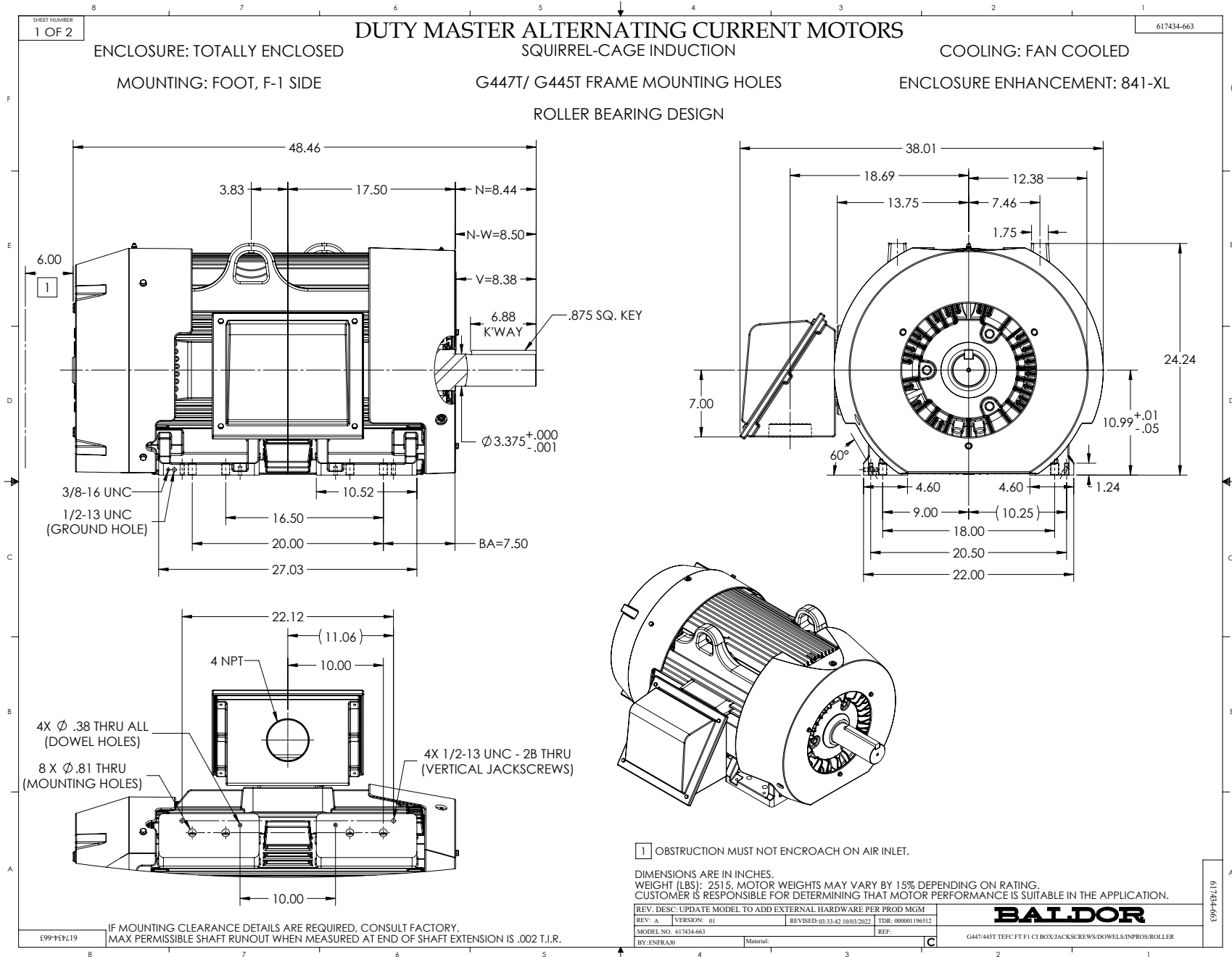
MOBIL SHC -220 GREASE

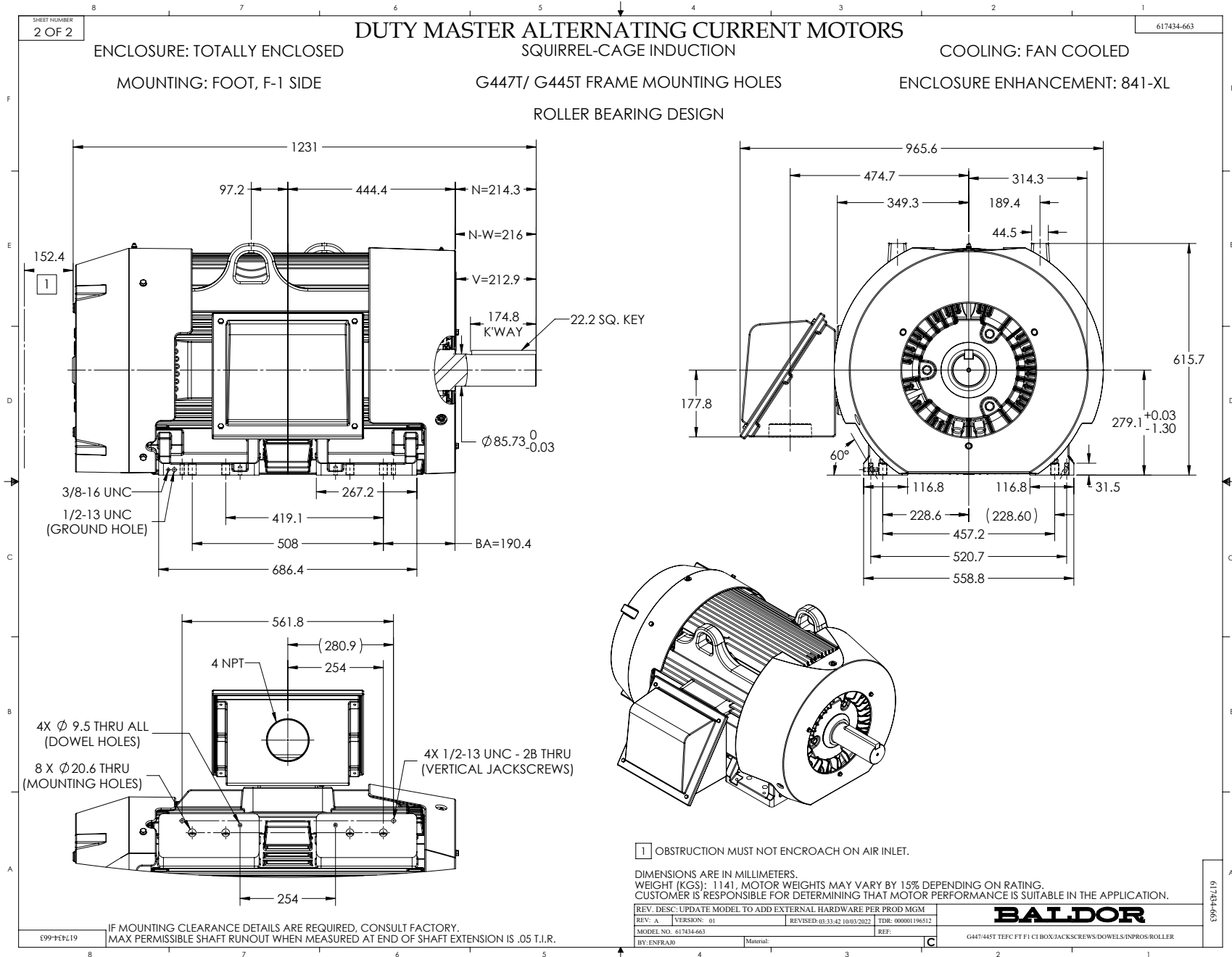
---











416820-036

A-C MOTOR  
CONNECTION DIAGRAM  
STANDARD 3 LEAD CONNECTED



(N.P. 1575-BA)

416820-036

REV. DESC: LOADED TO BUS, C/R 335225		
REV. LTR: -	VERSION: 00	TDR: 000000538207
FILE: \MGA\00000\682	REVISED: 11: 54: 06 04/30/2010	
MTL: -	BY: RAGRA	

**BALDOR**

CONN DIAG - STANDARD 3 LEAD  
SH 1 of 1