

ABB BALDOR RELIANCE III

Customer information packet

ECP84410T-4

125HP, 1785, 3PH, 60HZ, 444T, TEFC, F1

Class - CLI GP A,B,C,D

Division - Division II

Specifications

Enclosure	TEFC
Frame	444T
Frame Material	Iron
Frequency	60.00 Hz
Haz Area Class and Group	CLI GP A,B,C,D
Haz Area Division	Division II
Motor Letter Type	Three Phase
Output @ Frequency	125.000 HP @ 60 HZ
Phase	3
Synchronous Speed @ Frequency	1800 RPM @ 60 HZ
Voltage @ Frequency	460.0 V @ 60 HZ
Agency Approvals	UR CCSA US
Ambient Temperature	40 °C
Auxiliary Box	NO AUXILLARY BOX
Base Indicator	Rigid
Bearing Grease Type	Polyrex EM (-20F +300F)
Constant Torque Speed Range	10-60
Current @ Voltage	144.000 A @ 460.0 V
Design Code	B
Drip Cover	No Drip Cover
Duty Rating	CONT
Efficiency @ 100% Load	95.4 %
Enclosure Modification	841
Feedback Device	NO FEEDBACK
Haz Area Temp Code	T3
Heater Indicator	No Heater
High Voltage Full Load Amps	144.0 a
Insulation Class	F
Inverter Code	Inverter Ready
IP Rating	IP56
KVA Code	G

Part Detail

Revision	F
Type	AC
Mech. spec.	
Base	
Status	PRD/A
Elec. spec.	A44WG3870
Layout	617434-660
Eff. date	12-10-2025
CD Diagram	416820-036
Poles	04
Leads	3#1/0
Proprietary	False
Created date	12-12-2018

Lifting Lugs	Standard Lifting Lugs
Motor Lead Quantity/Wire Size	3 @ 1/0 AWG
Motor Standards	None
Motor Type	A44076M
Mounting Arrangement	F1
No Load Current	44.8 a
Number of Poles	4
Overall Length	44.97 IN
Power Factor	85
Pulley End Bearing Type	Ball
Pulley Face Code	Standard
Service Factor	1.15
Shaft Diameter	3.375 IN
Shaft Ground Indicator	No Shaft Grounding
Shaft Rotation	Phase Seq-Std Rot (CCWODE)
Shaft Slinger Indicator	No Slinger
Speed	1785 rpm
Speed Code	Single Speed
Starting Method	Direct on line
Thermal Device - Bearing	None
Thermal Device - Winding	None

Nameplate

NP4566

CAT NO	ECP84410T-4	SPEC NO.	A44-5000-3870						
HP	125	AMPS	144	VOLTS	460	DESIGN	B		
FRAME SIZE	444T	RPM	1785	HZ	60	AMB	40	SF	1.15
D.E. BRG.DATA	6318	O.D.E. BRG.DATA	6318	PH	3	DUTY	CONT	INSUL.CLASS	F
D.E. BRG.	90BC03J30X	TYPE	ENCL	TEFC	CODE	G			
O.D.E. BRG.	90BC03J30X	POWER FACTOR	85	NEMA-NOM-EFFICIENCY	95.4				
3/4 LOAD EFF.	95.8	IP	56	MAX CORR KVAR	27.0	GUARANTEED EFFICIENCY	94.5		
TEMP CODE	T3	TEMP =	200						
CHP HZ	60-90	CT HZ	10-60	VT HZ	0-60				
INVERTER-TEMP-CODE	T3								
SER.NO.		MOTOR WEIGHT							

000613007EX

CAT NO	ECP84410T-4	SPEC NO.	A44-5000-3870	
NO. ROTOR BARS	58	GREASE TYPE	POLYREX EM	
NO. SLOTS	72	NL AMPS AT RATED VOLTAGE		44.8
5 YEAR WARRANTY		WINDING RES @25 C	.03840	OHMS
MFG. DATE		SER.NO		

CUSTOMER INFORMATION PACKET		ECP84410T-4 - 125HP, 1785, 3PH, 60HZ, 444T, TEFC, F1				
FRAME	HP	TYPE	PHASE/ HERTZ	RPM	VOLTS	
444	125	P	3/60	1785	460	

AMPS	DUTY	AMB °C/ INSUL	S.F.	NEMA DESIGN	CODE LETTER	ENCLOSURE
144	CONT	40/F	1.15	B	G	TEFC

E/S	ROTOR	TEST S.O.	TEST DATE	STATOR RES. @25 °C OHMS (BETWEEN LINES)	
498834	418143052KE	---	---	.0383	

PERFORMANCE


LOAD	HP	AMPERES	RPM	% POWER FACTOR	% EFFICIENCY
NO LOAD	0	44.8	1800	4.44	0
1/4	31.3	61.7	1796	51.1	92.8
2/4	62.5	84.1	1792	73.0	95.3
3/4	93.7	112	1788	81.7	95.7
4/4	125	144	1784	85.3	95.5
5/4	156	178	1780	86.6	95.1

SPEED TORQUE

	RPM	TORQUE % FULL LOAD	TORQUE LB.-FT.	AMPERES
LOCKED ROTOR	0	133	489	892
PULL UP	270	114	420	875
BREAKDOWN	1729	290	1067	500
FULL LOAD	1784	100	368	144

AMPERES SHOWN FOR 460 VOLT CONNECTION. IF OTHER CONNECTIONS ARE AVAILABLE, THE AMPERES WILL VARY INVERSELY WITH THE RATED VOLTAGE.

TYPICAL DATA
NEMA NOMINAL EFFICIENCY = 95.4PCT.

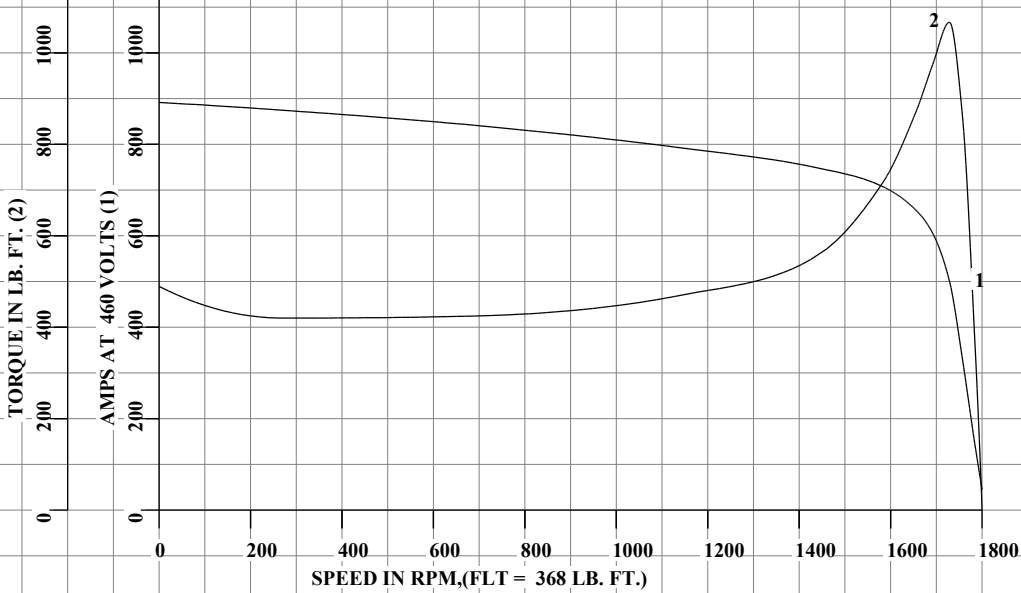
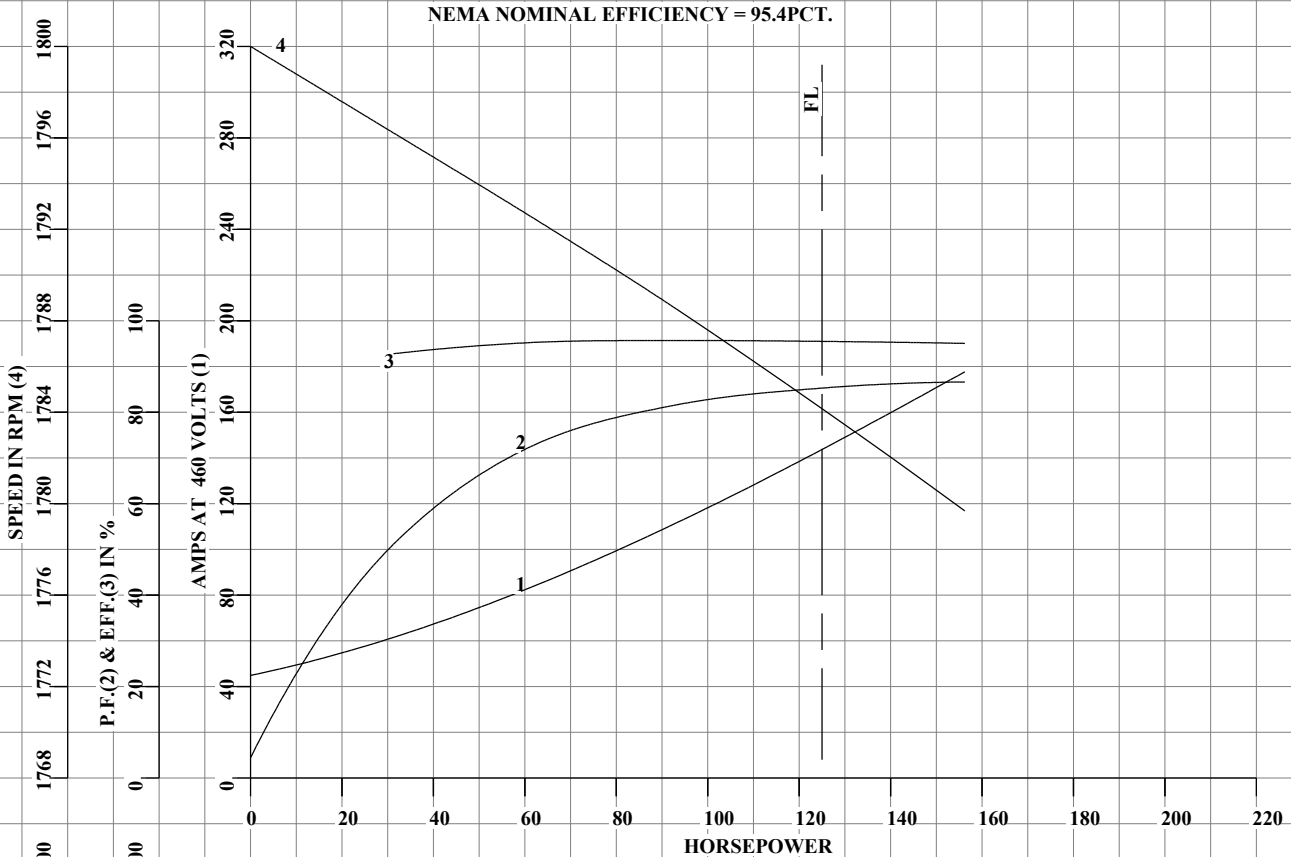
	DRAWN BY: <u>CD</u>	AC MOTOR PERFORMANCE DATA	A44WG3870-R001
	CHECKED BY: <u>CD</u>		
	APPROVED BY: <u>R. MCELVEEN</u>		DATE ISSUED 05/04/21
	DATE: <u>1/18/11</u>		

FRAME 444
HP 125
TYPE P
PHASE / HERTZ 3/60

RPM 1785
VOLTS 460
AMPS 144
DUTY CONT
AMB °C / INSUL 40/F

S.F. 1.15
NEMA DESIGN B
CODE LETTER G
ENCLOSURE TEFC
E/S 498834

TEST S.O. TYPICAL DATA
TEST DATE ---
STATOR RES. @ 25°C .0383
OHMS (BETWEEN LINES)



AMPERES SHOWN FOR 460 VOLT CONNECTION, IF OTHER VOLTAGE CONNECTIONS ARE AVAILABLE, THE AMPERES WILL VARY INVERSELY WITH THE RATED VOLTAGE.



DRAWN BY: CD
 CHECKED BY: CD
 APPROVED BY: R. MCELVEEN
 DATE: 1/18/11

AC MOTOR
PERFORMANCE
DATA

A44WG3870-R001

ISSUE DATE 05/04/21

FRAME 444

VOLTS 460

NEMA DESIGN B

TEST S.O. TYPICAL DATA

HP 125

AMPS 144

CODE LETTER G

TEST DATE ---

TYPE P

DUTY CONT

ENCLOSURE TEFC

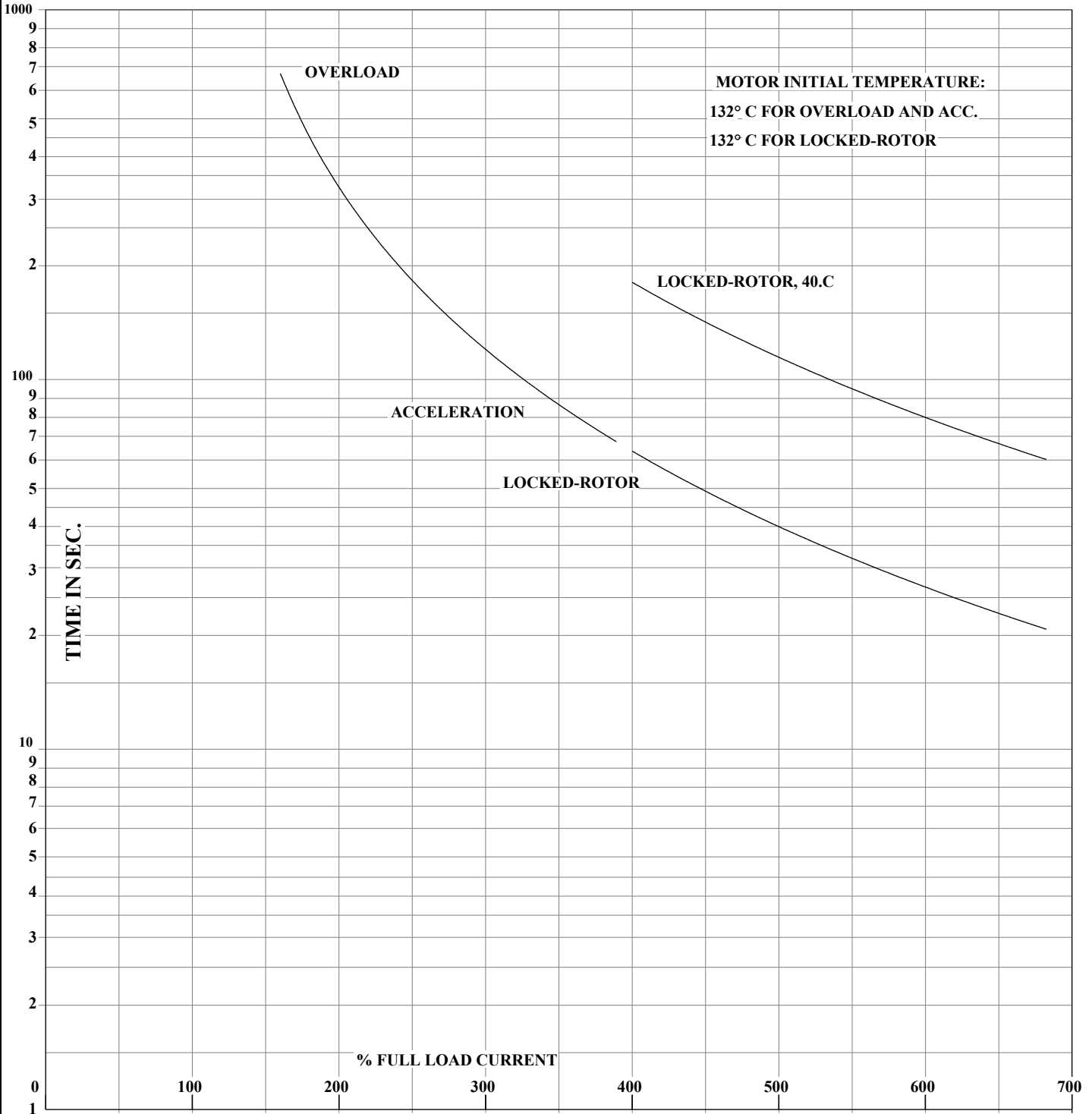
STATOR RES. @ 25°C .0383

PHASE / HERTZ 3/60

AMB °C / INSUL 40/F

E/S 498834

OHMS (BETWEEN LINES)



THERMAL LIMIT CURVE
NEMA NOMINAL EFFICIENCY = 95.4PCT.

AMPERES SHOWN FOR 460 VOLT CONNECTION, IF OTHER VOLTAGE CONNECTIONS ARE AVAILABLE, THE AMPERES WILL VARY INVERSELY WITH THE RATED VOLTAGE.



DRAWN BY: CD
CHECKED BY: CD
APPROVED BY: R. MCELVEEN
DATE: 1/18/11

**AC MOTOR
PERFORMANCE
DATA**

A44WG3870-R001

ISSUE DATE 05/04/21

ENCLOSURE: TOTALLY ENCLOSED

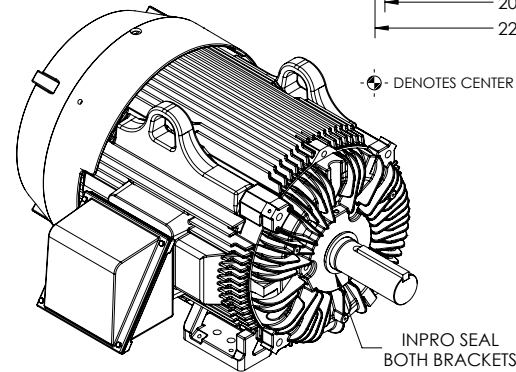
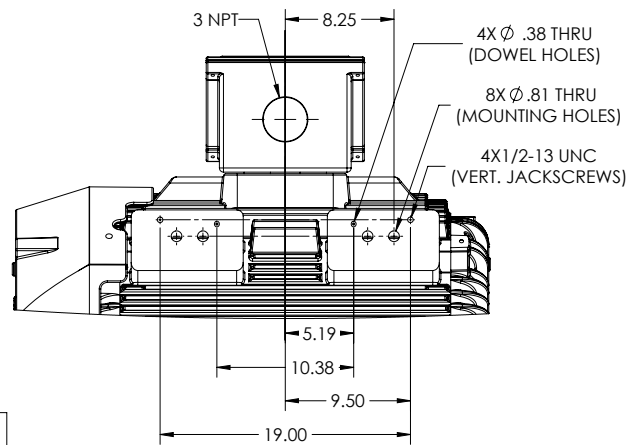
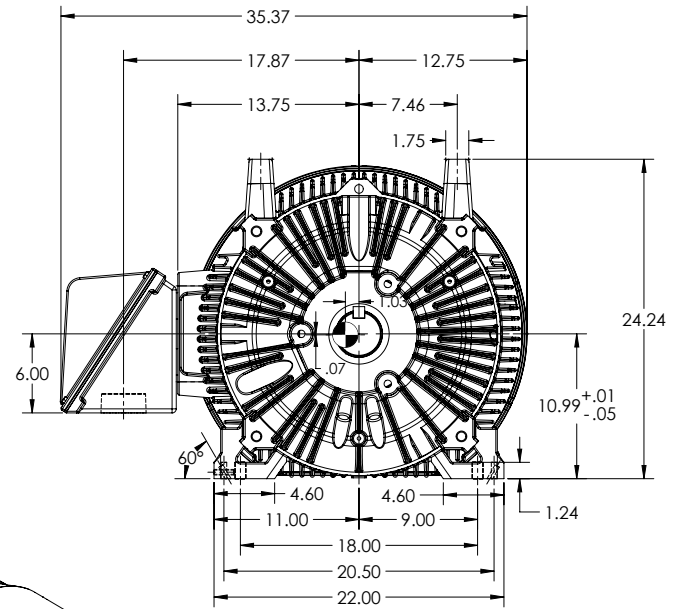
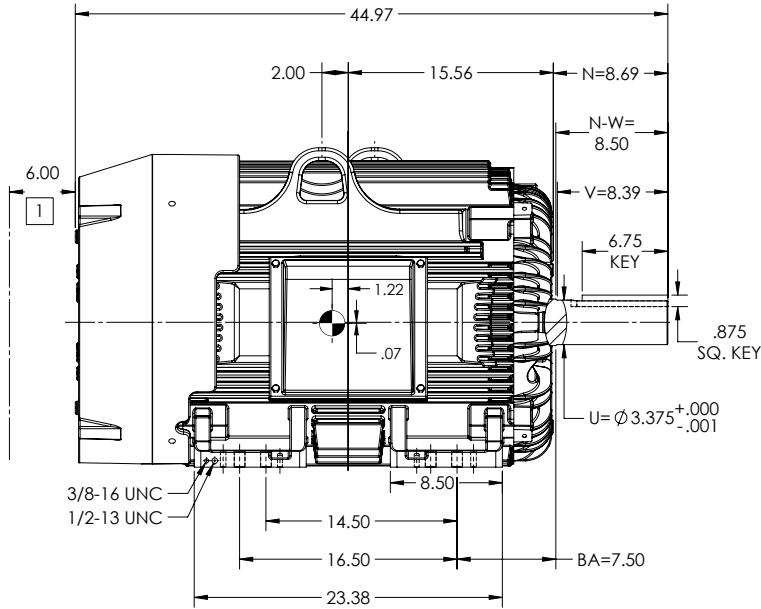
MOUNTING: FOOT, F-1 SIDE

DUTY MASTER ALTERNATING CURRENT MOTORS
SQUIRREL-CAGE INDUCTION

G445T/G444T FRAME MOUNTING HOLES
CENTER OF GRAVITY

COOLING: FAN COOLED

841-XL ENHANCEMENT



⊙ DENOTES CENTER OF GRAVITY WHICH VARIES BY ±1.00 INCH

1 OBSTRUCTION MUST NOT ENCR OACH ON AIR INLET.

DIMENSIONS ARE IN INCHES.
MOTOR WEIGHTS (LBS) = 2130 ±15% DEPENDING ON RATING.
IF MOUNTING CLEARANCE DETAILS ARE REQUIRED, CONSULT FACTORY.
MAX PERMISSIBLE SHAFT RUNOUT WHEN MEASURED AT END OF STANDARD SHAFT EXTENSION IS .0015 T.I.R.(BALL)
OR .002 T.I.R.(ROLLER)
CUSTOMER IS RESPONSIBLE FOR DETERMINING THAT MOTOR PERFORMANCE IS SUITABLE IN THE APPLICATION.

SHEET NUMBER
1 OF 2

099 Fc7L19

REV. DESC: ADD CENTER GRAVITY			
REV: C	VERSION: 03	REVISED: 08-56-38 03/10/2020	TDR: 000001134943
MODEL NO. 617434-660		REF:	
BY: RAGGDM	Material:	C	

BALDOR

G445/444T TEFC F1 FTD C1 BX JACKSCREWS/DOWEL PINS-INPRO/SCG

617434-660

617434-660

ENCLOSURE: TOTALLY ENCLOSED

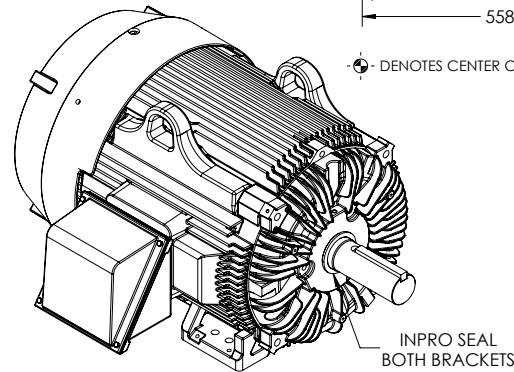
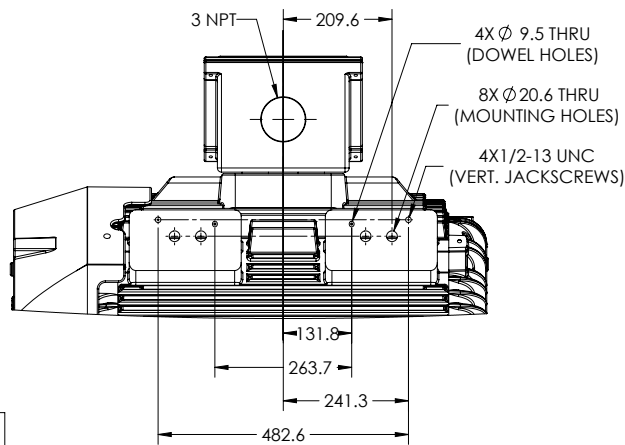
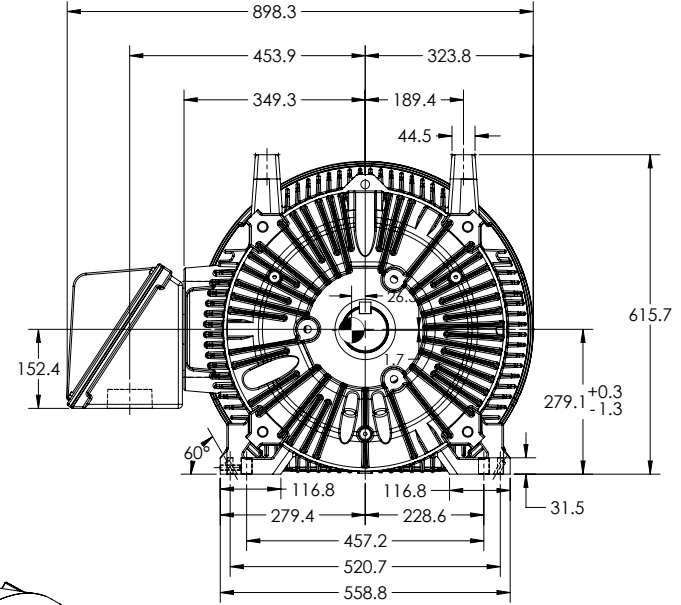
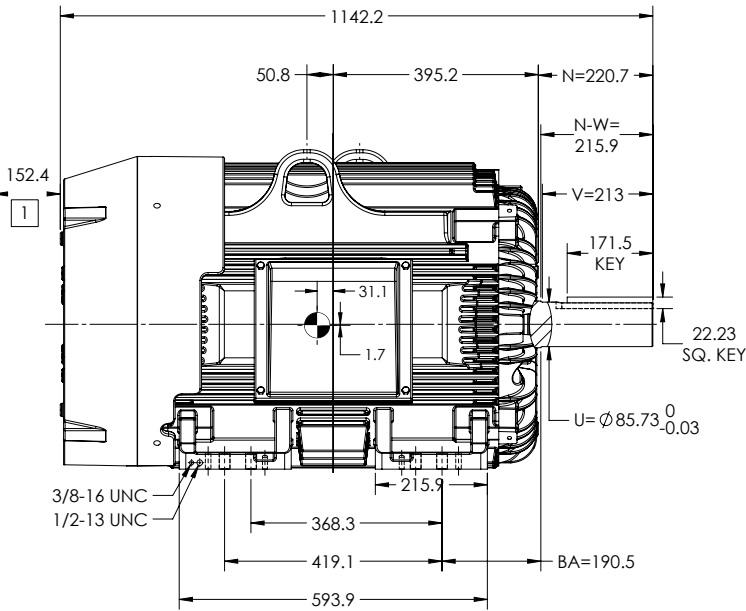
DUTY MASTER ALTERNATING CURRENT MOTORS
SQUIRREL-CAGE INDUCTION

COOLING: FAN COOLED

MOUNTING: FOOT, F-1 SIDE

G445T/G444T FRAME MOUNTING HOLES
CENTER OF GRAVITY

841-XL ENHANCEMENT



⊙ DENOTES CENTER OF GRAVITY WHICH VARIES BY ± 1.00 INCH

1 OBSTRUCTION MUST NOT ENCR OACH ON AIR INLET.

DIMENSIONS ARE IN MILLIMETERS.
MOTOR WEIGHTS (KGS) = 970 $\pm 15\%$ DEPENDING ON RATING.
IF MOUNTING CLEARANCE DETAILS ARE REQUIRED, CONSULT FACTORY.
MAX PERMISSIBLE SHAFT RUNOUT WHEN MEASURED AT END OF STANDARD SHAFT EXTENSION IS .04 T.I.R.(BALL) OR .05 T.I.R.(ROLLER)
CUSTOMER IS RESPONSIBLE FOR DETERMINING THAT MOTOR PERFORMANCE IS SUITABLE IN THE APPLICATION.

SHEET NUMBER
2 OF 2

099 F17 L19

REV. DESC: ADD CENTER GRAVITY			
REV: c	VERSION: 03	REVISED: 08-56-38 03/10/2020	TDR: 000001134943
MODEL NO. 617434-660		REF:	
BY: RAGGDM	Material:	C	

BALDOR

G445/444T TEFC F1 FTD C1 BX JACKSCREWS/DOWEL PINS-INPROS/CG

617434-660

416820-036

**A-C MOTOR
CONNECTION DIAGRAM
STANDARD 3 LEAD CONNECTED**



(N.P. 1575-BA)

416820-036

REV. DESC: LOADED TO BUS, C/R 335225

REV. LTR: -

VERSION: 00

TDR: 000000538207

FILE: \MGA\00000\682

REVISED: 11:54:06 04/30/2010

MTL: -

BY: RAGRA

BALDOR

CONN DIAG - STANDARD 3 LEAD

SH 1 of 1