

BALDOR • RELIANCE

Customer information packet

ECP84407T-4

200HP, 1785RPM, 3PH, 60HZ, 447T, TEFC

Class - CLI GP A,B,C,D

Division - Division II

Specifications

Enclosure	TEFC
Frame	447T
Frame Material	Iron
Frequency	60.00 Hz
Haz Area Class and Group	CLI GP A,B,C,D
Haz Area Division	Division II
Motor Letter Type	Three Phase
Output @ Frequency	200.000 HP @ 60 HZ
Phase	3
Synchronous Speed @ Frequency	1800 RPM @ 60 HZ
Voltage @ Frequency	460.0 V @ 60 HZ
Agency Approvals	UR CCSA US
Ambient Temperature	40 °C
Auxillary Box	No Auxillary Box
Base Indicator	Rigid
Bearing Grease Type	Polyrex EM (-20F +300F)
Constant Torque Speed Range	30-60
Current @ Voltage	222.000 A @ 460.0 V
Design Code	B
Drip Cover	No Drip Cover
Duty Rating	CONT
Efficiency @ 100% Load	96.2 %
Enclosure Modification	841
Feedback Device	NO FEEDBACK
Haz Area Temp Code	T3
Heater Indicator	No Heater
High Voltage Full Load Amps	222.0 a
Insulation Class	F
Inverter Code	Inverter Ready
IP Rating	IP56
KVA Code	G

Part detail

Revision	G
Type	AC
Mech. spec.	
Base	
Status	PRD/A
Elec. spec.	A44WG0690
Layout	617434-662
Eff. date	12-11-2023
CD Diagram	416820-036
Poles	04
Leads	3#1/0 (02 per group)
Proprietary	False
Created date	12-11-2018

Lifting Lugs	No Lifting Lugs
Motor Lead Quantity/Wire Size	6 @ 1/0 AWG
Motor Standards	None
Motor Type	A44120M
Mounting Arrangement	F1
No Load Current	60.4 a
Number of Poles	4
Overall Length	48.47 IN
Power Factor	87
Pulley End Bearing Type	Ball
Pulley Face Code	Standard
Service Factor	1.15
Shaft Diameter	3.375 IN
Shaft Ground Indicator	No Shaft Grounding
Shaft Rotation	Phase Seq-Std Rot (CCWODE)
Shaft Slinger Indicator	No Slinger
Speed	1785 rpm
Speed Code	Single Speed
Starting Method	Direct on line
Thermal Device - Bearing	None
Thermal Device - Winding	None

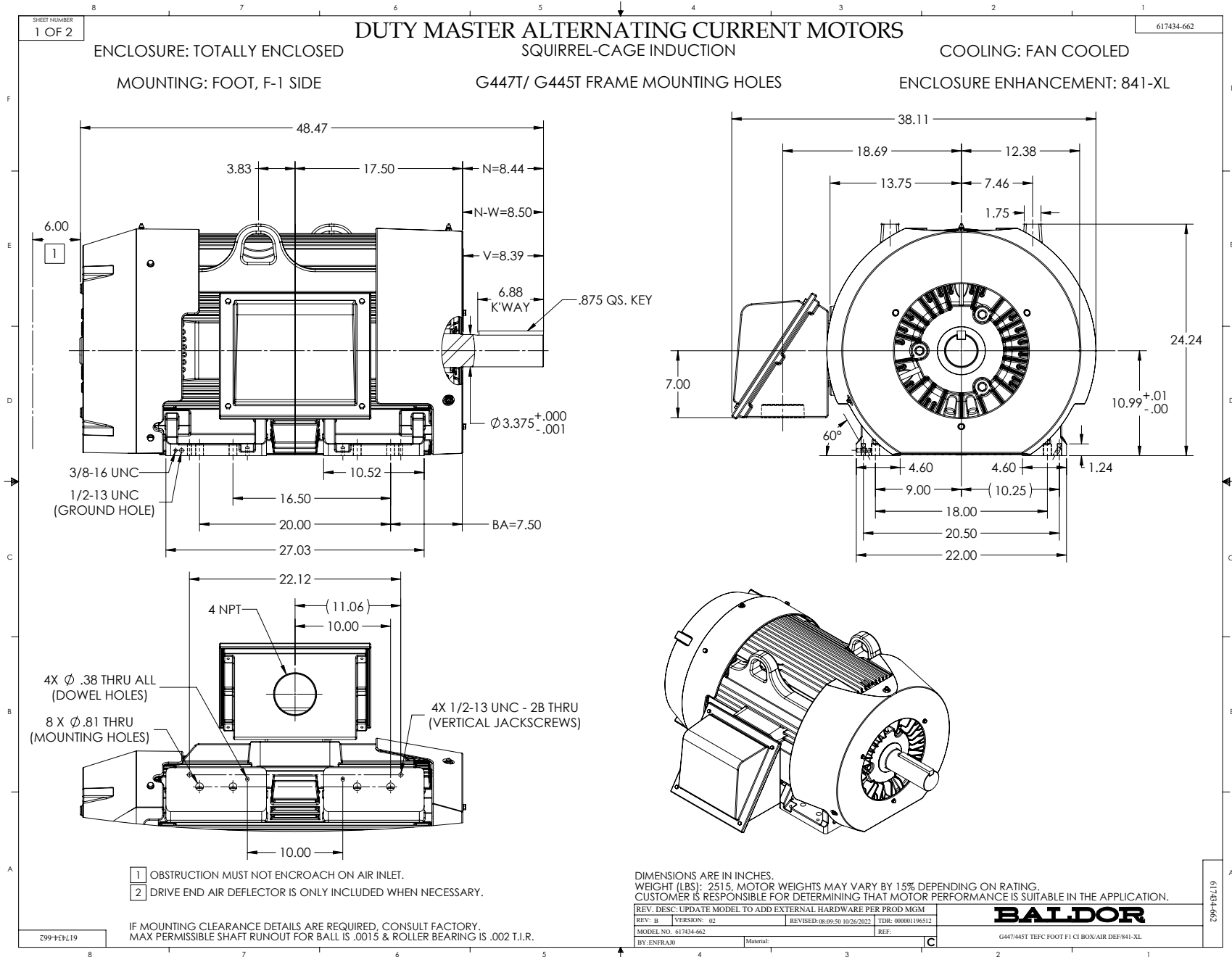
Nameplate

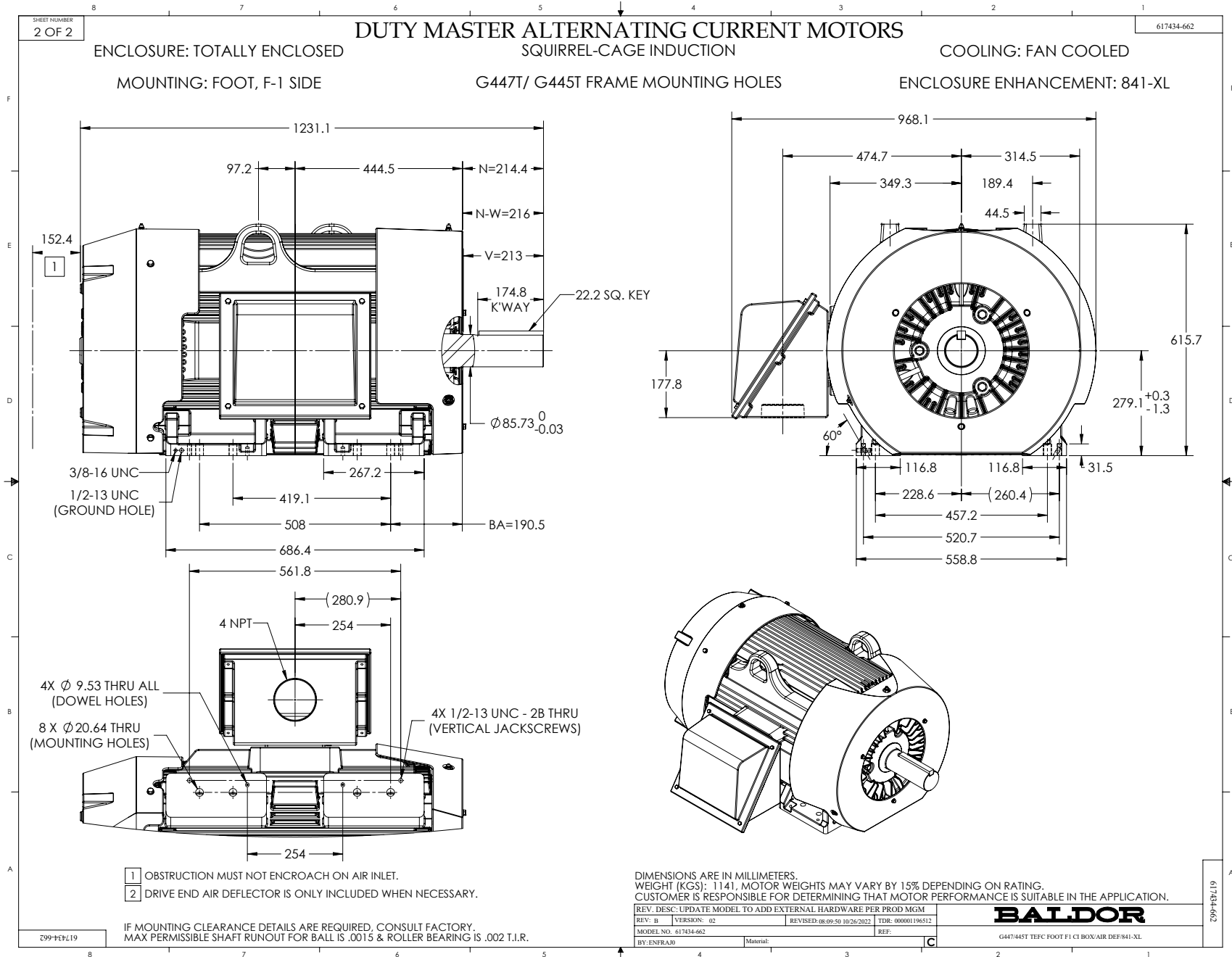
NP4566

CAT NO	ECP84407T-4	SPEC NO.	A44-5046-0690						
HP	200	AMPS	222	VOLTS	460	DESIGN	B		
FRAME SIZE	447T	RPM	1785	HZ	60	AMB	40	SF	1.15
D.E. BRG.DATA	6318	O.D.E. BRG.DATA	6318	PH	3	DUTY	CONT	INSUL.CLASS	F
D.E. BRG.	90BC03J30X	TYPE	ENCL	TEFC	CODE	G			
O.D.E. BRG.	90BC03J30X	POWER FACTOR	87	NEMA-NOM-EFFICIENCY	96.2				
3/4 LOAD EFF.	96.5	IP	56	MAX CORR KVAR	32.0	GUARANTEED EFFICIENCY	95.4		
TEMP CODE	T3	TEMP =	200						
CHP HZ	60-90	CT HZ	30-60	VT HZ	0-60				
INVERTER-TEMP-CODE	T3								
SER.NO.		MOTOR WEIGHT							

000613007EX

CAT NO	ECP84407T-4	SPEC NO.	A44-5046-0690	
NO. ROTOR BARS	58	GREASE TYPE	POLYREX EM	
NO. SLOTS	72	NL AMPS AT RATED VOLTAGE	60.4	
5 YEAR WARRANTY		WINDING RES @25 C	.0209	OHMS
MFG. DATE		SER.NO		





416820-036

A-C MOTOR
CONNECTION DIAGRAM
STANDARD 3 LEAD CONNECTED



(N.P. 1575-BA)

416820-036

REV. DESC: LOADED TO BUS, C/R 335225		
REV. LTR: -	VERSION: 00	TDR: 000000538207
FILE: \MGA\00000\682	REVISED: 11:54:06 04/30/2010	
MTL: -	BY: RAGRA	

BALDOR

CONN DIAG - STANDARD 3 LEAD
SH 1 of 1