

BALDOR • RELIANCE

Customer information packet

ECP84402T-5

100HP, 3565RPM, 3PH, 60HZ, 405TS, TEFC, FOOT,
Class - CLI GP A,B,C,D
Division - Division II

Specifications

Enclosure	TEFC
Frame	405TS
Frame Material	Iron
Frequency	60.00 Hz
Haz Area Class and Group	CLI GP A,B,C,D
Haz Area Division	Division II
Motor Letter Type	Three Phase
Output @ Frequency	100.000 HP @ 60 HZ
Phase	3
Synchronous Speed @ Frequency	3600 RPM @ 60 HZ
Voltage @ Frequency	575.0 V @ 60 HZ
Agency Approvals	UR CCSA US
Ambient Temperature	40 °C
Auxillary Box	No Auxillary Box
Base Indicator	Rigid
Bearing Grease Type	Polyrex EM (-20F +300F)
Constant Torque Speed Range	10-60
Current @ Voltage	88.000 A @ 575.0 V
Design Code	B
Drip Cover	No Drip Cover
Duty Rating	CONT
Efficiency @ 100% Load	95.0 %
Enclosure Modification	841
Feedback Device	NO FEEDBACK
Haz Area Temp Code	T3
Heater Indicator	No Heater
High Voltage Full Load Amps	88.0 a
Insulation Class	F
Inverter Code	Inverter Ready
IP Rating	IP56
KVA Code	F

Part detail

Revision	E
Type	AC
Mech. spec.	
Base	
Status	PRD/A
Elec. spec.	A40WG0485
Layout	617429-791
Eff. date	12-11-2023
CD Diagram	416820-036
Poles	02
Leads	3#2
Proprietary	False
Created date	12-03-2018

Lifting Lugs	Standard Lifting Lugs
Motor Lead Quantity/Wire Size	3 @ 2 AWG
Motor Standards	None
Motor Type	A40060M
Mounting Arrangement	F1
No Load Current	19.7 a
Number of Poles	2
Overall Length	35.04 IN
Power Factor	90
Pulley End Bearing Type	Ball
Pulley Face Code	Standard
Service Factor	1.15
Shaft Diameter	2.125 IN
Shaft Ground Indicator	No Shaft Grounding
Shaft Rotation	Reversible
Shaft Slinger Indicator	No Slinger
Speed	3565 rpm
Speed Code	Single Speed
Starting Method	Direct on line
Thermal Device - Bearing	None
Thermal Device - Winding	None

Nameplate

NP4566

CAT NO	ECP84402T-5	SPEC NO.	A40-0003-0485						
HP	100	AMPS	88	VOLTS	575	DESIGN	B		
FRAME SIZE	405TS	RPM	3565	HZ	60	AMB	40	SF	1.15
D.E. BRG.DATA	6313	O.D.E. BRG.DATA	6313	PH	3	DUTY	CONT	INSUL.CLASS	F
D.E. BRG.	65BC03J30X	TYPE	ENCL	TEFC	CODE	F			
O.D.E. BRG.	65BC03J30X	POWER FACTOR	90	NEMA-NOM-EFFICIENCY	95				
3/4 LOAD EFF.	95.2	IP	56	MAX CORR KVAR	10	GUARANTEED EFFICIENCY	94.1		
TEMP CODE	T3	TEMP =	200						
CHP HZ	60-75	CT HZ	10-60	VT HZ	0-60				
INVERTER-TEMP-CODE	T3								
SER.NO.		MOTOR WEIGHT							

000613007EX

CAT NO	ECP84402T-5	SPEC NO.	A40-0003-0485	
NO. ROTOR BARS	38	GREASE TYPE	POLYREX EM	
NO. SLOTS	48	NL AMPS AT RATED VOLTAGE	19.7	
5 YEAR WARRANTY		WINDING RES @25 C	.08309	OHMS
MFG. DATE		SER.NO		

617429-791

ENCLOSURE: TOTALLY ENCLOSED

DUTY MASTER ALTERNATING CURRENT MOTORS

SQUIRREL-CAGE INDUCTION

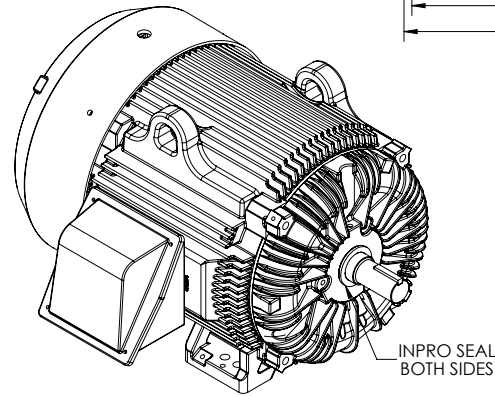
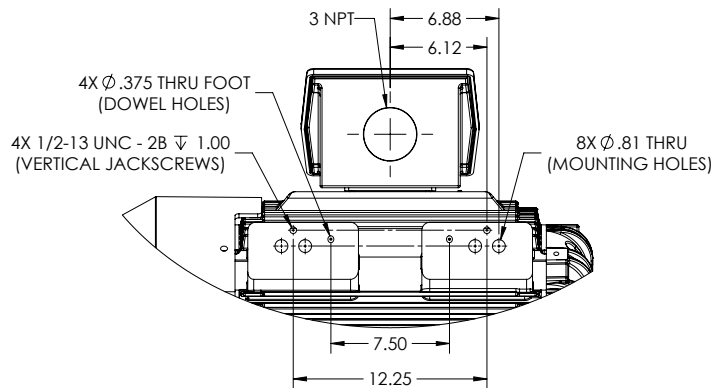
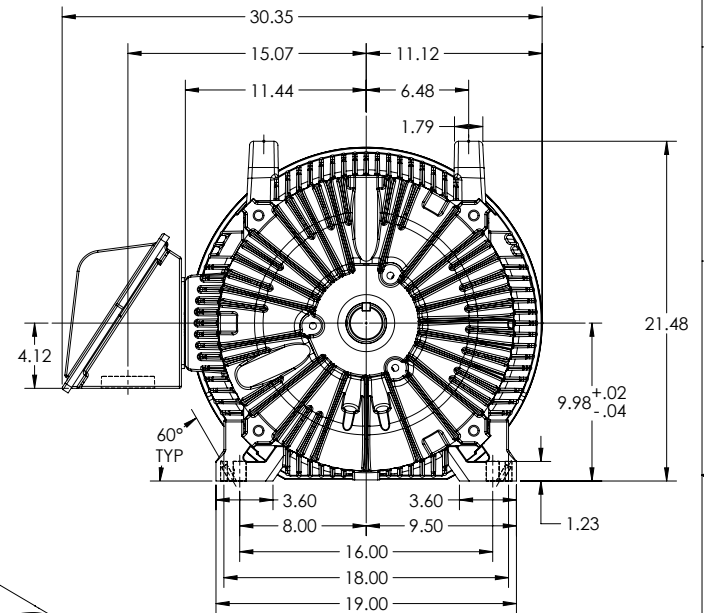
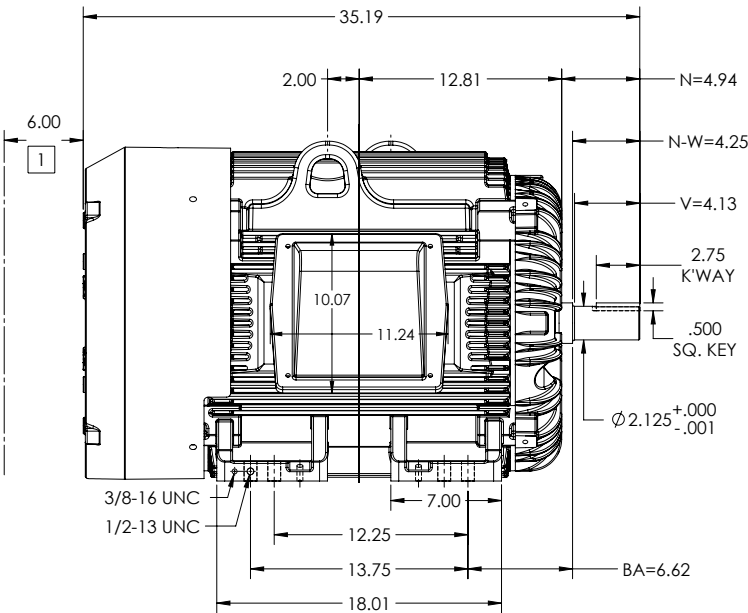
COOLING: FAN COOLED

MOUNTING: FOOT, F-1 SIDE

G405TS/G404TS FRAME MOUNTING HOLES

841-XL ENCLOSURE ENHANCEMENT

DOWEL HOLES & JACKSCREWS



DIMENSIONS ARE IN INCHES.
WEIGHT (LBS): 1370 MAY VARY BY 1.5% DEPENDING ON RATING.
CUSTOMER IS RESPONSIBLE FOR DETERMINING THAT MOTOR PERFORMANCE IS SUITABLE IN THE APPLICATION.

SHEET NUMBER
1 OF 1

1 OBSTRUCTION MUST NOT ENCRACH ON AIR INLET

IF MOUNTING CLEARANCE DETAILS ARE REQUIRED, CONSULT FACTORY.
MAX PERMISSIBLE SHAFT RUNOUT WHEN MEASURED AT END OF STANDARD SHAFT EXTENSION IS .0015" T.I.R.

REV. A	VERSION: 01	REVISED: 01-21-23 12/04/2018	TDR: 00001092776
MODEL NO. 617429-791		REF:	
BY: USJEDIL	Material:	C	

BALDOR

G405404TS TEFC F1 FOOT CT BOX/INPRO/JACKSCREWS/DOWEL HOLES

617429-791

416820-036

A-C MOTOR
CONNECTION DIAGRAM
STANDARD 3 LEAD CONNECTED



(N.P. 1575-BA)

416820-036

REV. DESC: LOADED TO BUS, C/R 335225		
REV. LTR: -	VERSION: 00	TDR: 000000538207
FILE: \MGA\00000\682	REVISED: 11: 54: 06 04/30/2010	
MTL: -	BY: RAGRA	

BALDOR

CONN DIAG - STANDARD 3 LEAD
SH 1 of 1