

ABB BALDOR RELIANCE III

Customer information packet

ECP84314T-5

60HP, 1780RPM, 3PH, 60HZ, 364T, A3658M, TEFC, F

Class - CLI GP A,B,C,D

Division - Division II

Specifications

Enclosure	TEFC
Frame	364T
Frame Material	Iron
Frequency	60.00 Hz
Haz Area Class and Group	CLI GP A,B,C,D
Haz Area Division	Division II
Motor Letter Type	Three Phase
Output @ Frequency	60.000 HP @ 60 HZ
Phase	3
Synchronous Speed @ Frequency	1800 RPM @ 60 HZ
Voltage @ Frequency	575.0 V @ 60 HZ
Agency Approvals	CCSAUSEEV NEMA PREMIUM NEMA_PREMIUM UR
Ambient Temperature	40 °C
Auxiliary Box	NO AUXILLARY BOX
Base Indicator	Rigid
Bearing Grease Type	Polyrex EM (-20F +300F)
Constant Torque Speed Range	15-60
Current @ Voltage	55.000 A @ 575.0 V
Design Code	B
Drip Cover	No Drip Cover
Duty Rating	CONT
Efficiency @ 100% Load	95.0 %
Feedback Device	NO FEEDBACK
Heater Indicator	No Heater
High Voltage Full Load Amps	55.0 a
Insulation Class	F
Inverter Code	Inverter Ready
KVA Code	G
Lifting Lugs	Standard Lifting Lugs

Part Detail

Revision	J
Type	AC
Mech. spec.	
Base	
Status	PRD/A
Elec. spec.	A36WG4086
Layout	617428-603
Eff. date	08-26-2024
CD Diagram	416820-036
Poles	04
Leads	3#4
Proprietary	False
Created date	04-26-2021

Max Speed	2700 rpm
Motor Lead Quantity/Wire Size	3 @ 4 AWG
Motor Standards	None
Motor Type	A3658M
Mounting Arrangement	F1
Number of Poles	4
Overall Length	33.49 IN
Power Factor	84
Pulley End Bearing Type	Ball
Pulley Face Code	Standard
Service Factor	1.15
Shaft Diameter	2.375 IN
Shaft Ground Indicator	No Shaft Grounding
Shaft Rotation	Phase Seq-Std Rot (CCWODE)
Shaft Slinger Indicator	No Slinger
Speed	1780 rpm
Speed Code	Single Speed
Starting Method	Direct on line
Thermal Device - Bearing	None
Thermal Device - Winding	None

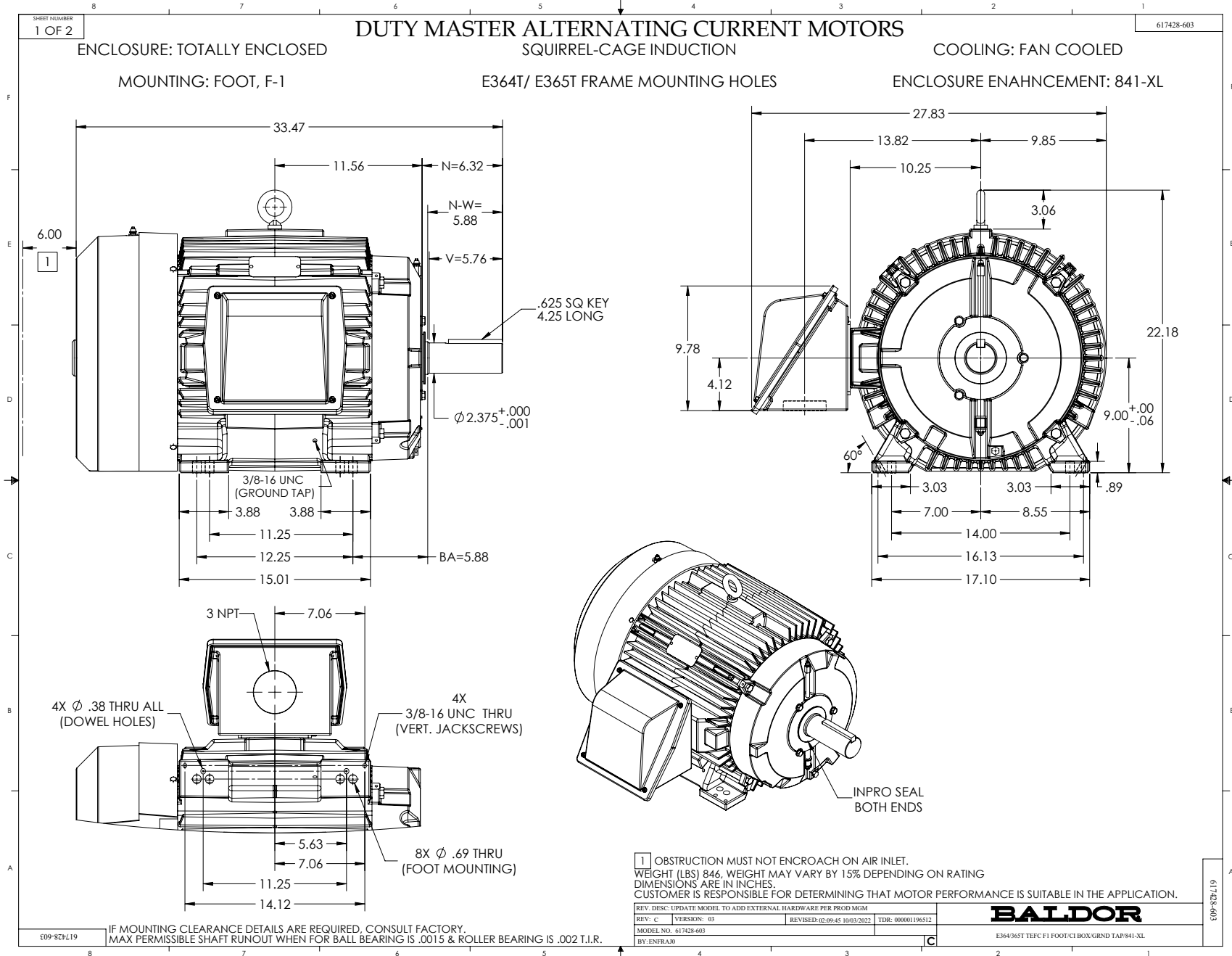
Nameplate

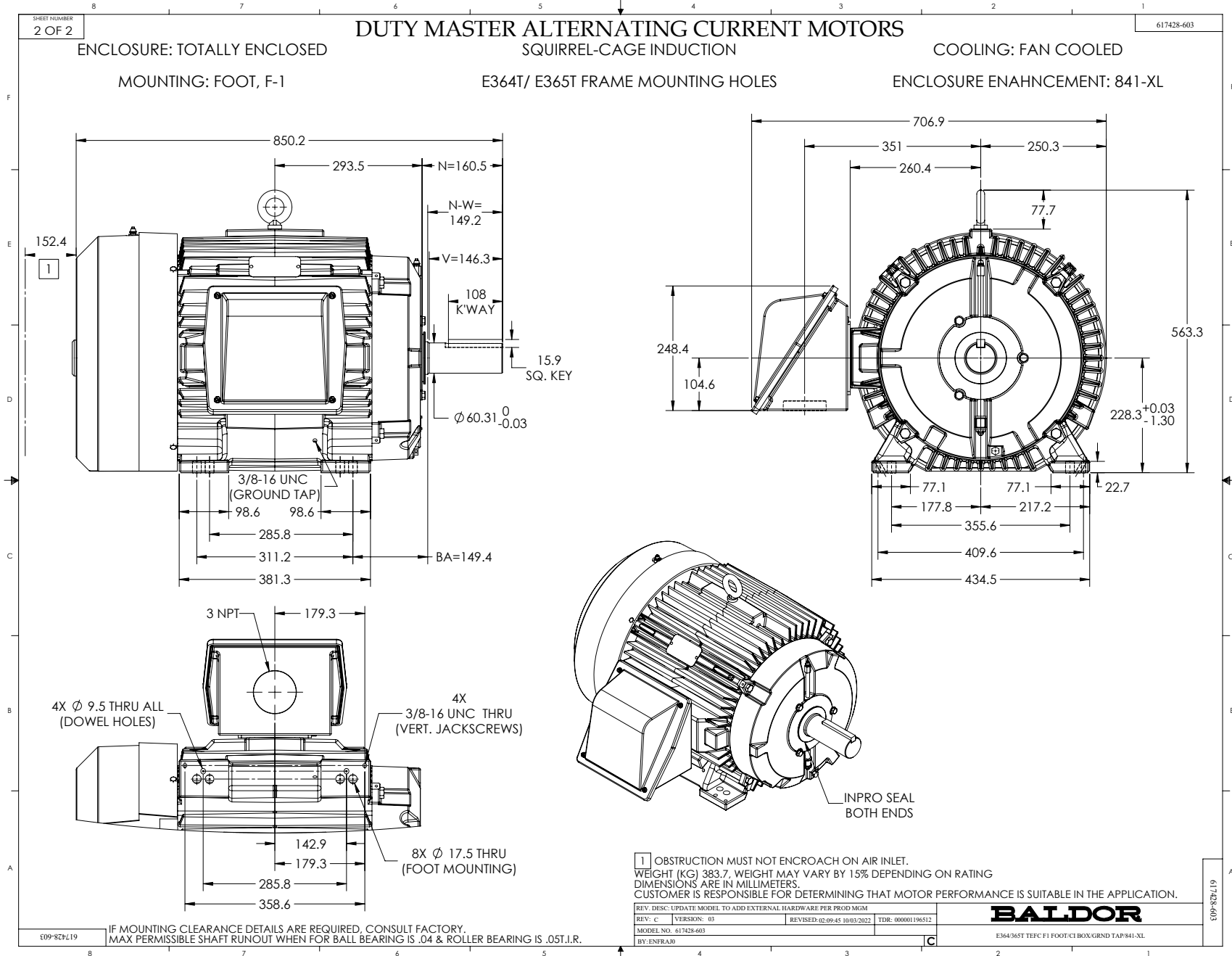
NP4388														
CAT #	ECP84314T-5					FR	364T			IP56				
SPEC	A36-6000-4086					ENCL	TEFC			DES	B			
HZ	60	PH	3	CL	F	HP	60	SF	1.15	PF	84	%	CODE	G
VOLTS	575					AMPS	55							
RPM	1780		MAX RPM	2700		SER								
NEMA NOM. EFF	95	%	RATING	40C AMB-CONT										
GUAR MIN. EFF	94.1	%	BRG DE	6313		BRG ODE	6313							
CL I DIV 2 GRPS A,B,C,D			CL I ZONE 2 GRPS			IIA,IIB,IIC		TEMP T	3-200		C			
CT HZ	15-60		VT HZ	0-60										
CHP HZ	60-90		INV TEMP CL	200		C								
						MTR WT	937		LBS					

NP4333

CAT #	ECP84314T-5	ROTOR BARS	47
SPEC	A36-6000-4086	STATOR SLOTS	60
SER		MAX CORR KVAR	13.6
GREASE	POLYREX EM		
ABMA DE BRG	65BC03J30X	ODE	65BC03J30X

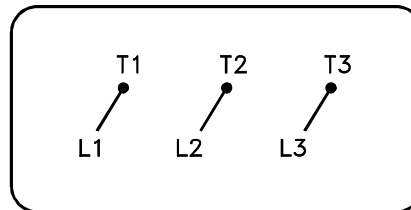
SPACE HEATER LEADS H1-H2:	TIE LIKE NUMBERS	TOGETHER
MAX. SPACE HEATER TEMP.	C V	A W





416820-036

A-C MOTOR
CONNECTION DIAGRAM
STANDARD 3 LEAD CONNECTED



(N.P. 1575-BA)

416820-036

REV. DESC: LOADED TO BUS, C/R 335225		
REV. LTR: -	VERSION: 00	TDR: 000000538207
FILE: \MGA\00000\682	REVISED: 11:54:06 04/30/2010	
MTL: -	BY: RAGRA	

BALDOR

CONN DIAG - STANDARD 3 LEAD
SH 1 of 1