



Customer information packet

ECP84310T-5

60HP, 3560RPM, 3PH, 60HZ, 364TS, A36056M, TEFC

Class - CLI GP A,B,C,D

Division - Division II

Specifications

Enclosure	TEFC
Frame	364TS
Frame Material	Iron
Frequency	60.00 Hz
Haz Area Class and Group	CLI GP A,B,C,D
Haz Area Division	Division II
Motor Letter Type	Three Phase
Output @ Frequency	60.000 HP @ 60 HZ
Phase	3
Synchronous Speed @ Frequency	3600 RPM @ 60 HZ
Voltage @ Frequency	575.0 V @ 60 HZ
Agency Approvals	CCSAUSEEV NEMA PREMIUM NEMA_PREMIUM UR CCSA US
Ambient Temperature	40 °C
Auxillary Box	No Auxillary Box
Base Indicator	Rigid
Bearing Grease Type	Polyrex EM (-20F +300F)
Constant Torque Speed Range	15-60
Current @ Voltage	52.000 A @ 575.0 V
Design Code	B
Drip Cover	No Drip Cover
Duty Rating	CONT
Efficiency @ 100% Load	95.0 %
Enclosure Modification	841
Feedback Device	NO FEEDBACK
Haz Area Temp Code	T3
Heater Indicator	No Heater
High Voltage Full Load Amps	52.0 a
Insulation Class	F

Part detail

Revision	N
Type	AC
Mech. spec.	
Base	
Status	PRD/A
Elec. spec.	A36WG0456
Layout	617428-510
Eff. date	05-22-2023
CD Diagram	416820-036
Poles	02
Leads	3#4
Proprietary	False
Created date	11-27-2018

Inverter Code	Inverter Ready
IP Rating	IP56
KVA Code	G
Lifting Lugs	Standard Lifting Lugs
Max Speed	4500 rpm
Motor Lead Quantity/Wire Size	3 @ 4 AWG
Motor Standards	None
Motor Type	A36056M
Mounting Arrangement	F1
No Load Current	11.3 a
Number of Poles	2
Overall Length	31.37 IN
Power Factor	91
Pulley End Bearing Type	Ball
Pulley Face Code	Standard
Service Factor	1.15
Shaft Diameter	1.875 IN
Shaft Ground Indicator	No Shaft Grounding
Shaft Rotation	Phase Seq-Std Rot (CCWODE)
Shaft Slinger Indicator	No Slinger
Speed	3560 rpm
Speed Code	Single Speed
Starting Method	Direct on line
Thermal Device - Bearing	None
Thermal Device - Winding	None

Nameplate

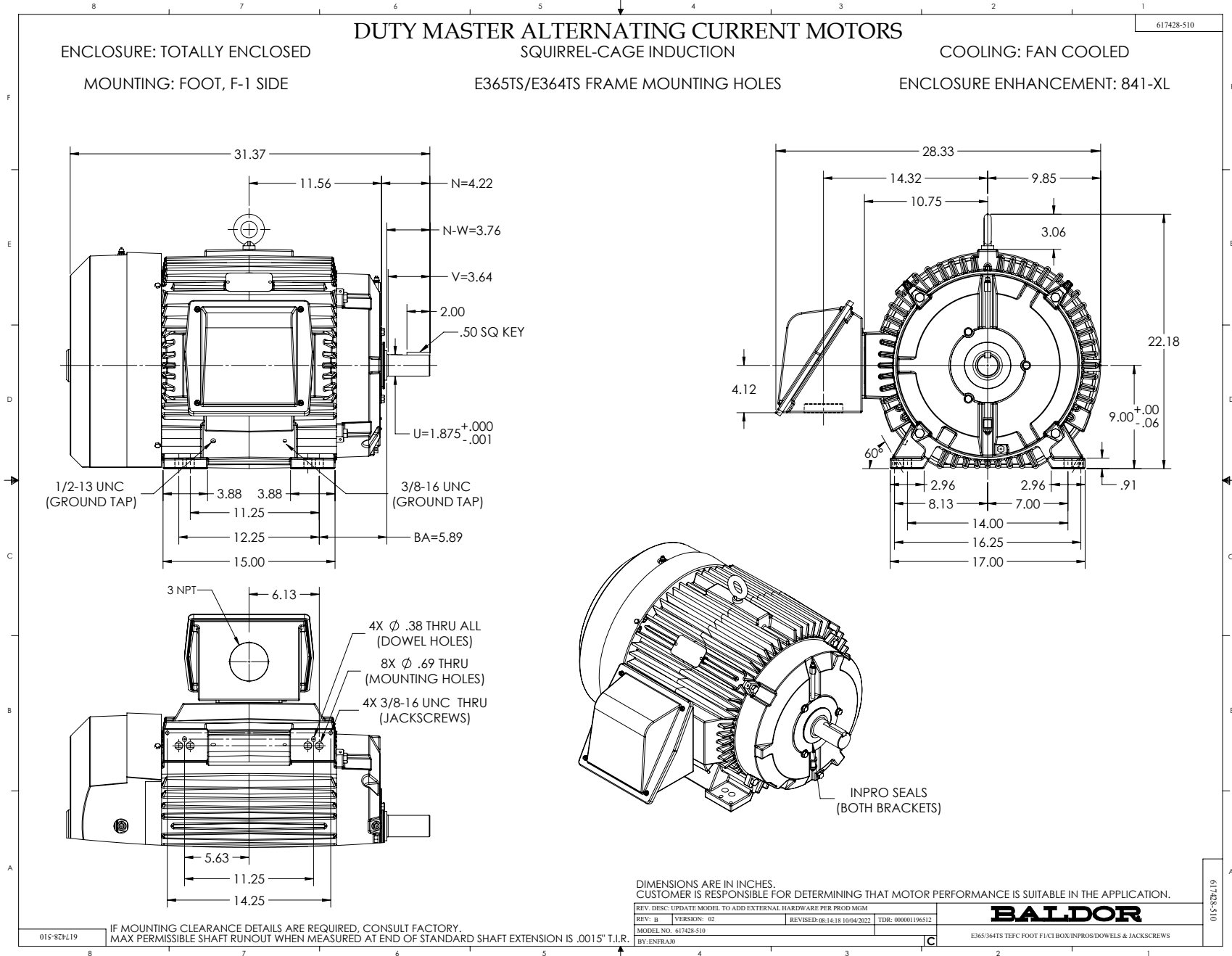
NP4388

CAT #	ECP84310T-5					FR	364TS		IP56						
SPEC	A36-6000-0456					ENCL	TEFC		DES	B					
HZ	60	PH	3	CL	F	HP	60	SF	1.15	PF	91	%	CODE	G	
VOLTS	575					AMPS	52								
RPM	3560		MAX RPM	4500		SER									
NEMA NOM. EFF	95	%	RATING	40C AMB-CONT											
GUAR MIN. EFF	94.1	%	BRG DE	6313		BRG ODE	6313								
CL I DIV 2 GRPS A,B,C,D						CL I ZONE 2 GRPS				IIA,IIB,IIC	TEMP T	3-200		C	
CT HZ	15-60		VT HZ	0-60											
CHP HZ	60-75		INV TEMP CL	200		C									
								MTR WT	932		LBS				

NP4333

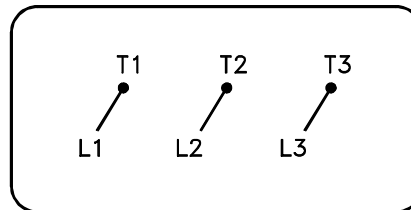
CAT #	ECP84310T-5	ROTOR BARS	40
SPEC	A36-6000-0456	STATOR SLOTS	48
SER		MAX CORR KVAR	5
GREASE	POLYREX EM		
ABMA DE BRG	65BC03J30X	ODE	65BC03J30X

SPACE HEATER LEADS H1-H2:	TIE LIKE NUMBERS		TOGETHER	
MAX. SPACE HEATER TEMP.	C	V	A	W



416820-036

A-C MOTOR
CONNECTION DIAGRAM
STANDARD 3 LEAD CONNECTED



(N.P. 1575-BA)

416820-036

REV. DESC: LOADED TO BUS, C/R 335225		
REV. LTR: -	VERSION: 00	TDR: 000000538207
FILE: \MGA\00000\682	REVISED: 11:54:06 04/30/2010	
MTL: -	BY: RAGRA	

BALDOR

CONN DIAG - STANDARD 3 LEAD
SH 1 of 1