

ABB BALDOR RELIANCE III

Customer information packet

ECP84308T-4

40HP, 1190RPM, 3PH, 60HZ, 364T, A36062M, TEFC

Class - CLI GP A,B,C,D

Division - Division II

Specifications

Enclosure	TEFC
Frame	364T
Frame Material	Iron
Frequency	60.00 Hz
Haz Area Class and Group	CLI GP A,B,C,D
Haz Area Division	Division II
Motor Letter Type	Three Phase
Output @ Frequency	40.000 HP @ 60 HZ
Phase	3
Synchronous Speed @ Frequency	1200 RPM @ 60 HZ
Voltage @ Frequency	460.0 V @ 60 HZ
Agency Approvals	CCSAUSEEV NEMA PREMIUM NEMA_PREMIUM UR CCSA US
Ambient Temperature	40 °C
Auxiliary Box	NO AUXILLARY BOX
Base Indicator	Rigid
Bearing Grease Type	Polyrex EM (-20F +300F)
Constant Torque Speed Range	6-60
Current @ Voltage	49.400 A @ 460.0 V
Design Code	B
Drip Cover	No Drip Cover
Duty Rating	CONT
Efficiency @ 100% Load	94.1 %
Enclosure Modification	841
Feedback Device	NO FEEDBACK
Haz Area Temp Code	T3A
Heater Indicator	No Heater
High Voltage Full Load Amps	49.4 a
Insulation Class	F

Part Detail

Revision	Q
Type	AC
Mech. spec.	
Base	
Status	PRD/A
Elec. spec.	A36WG0043
Layout	617428-603
Eff. date	08-26-2024
CD Diagram	416820-036
Poles	06
Leads	3#4
Proprietary	False
Created date	11-26-2018

Inverter Code	Inverter Ready
IP Rating	IP56
KVA Code	G
Lifting Lugs	Standard Lifting Lugs
Max Speed	1800 rpm
Motor Lead Quantity/Wire Size	3 @ 4 AWG
Motor Standards	NEMA
Motor Type	A36062M
Mounting Arrangement	F1
No Load Current	17.7 a
Number of Poles	6
Overall Length	33.49 IN
Power Factor	80
Pulley End Bearing Type	Ball
Pulley Face Code	Standard
Service Factor	1.15
Shaft Diameter	2.375 IN
Shaft Ground Indicator	No Shaft Grounding
Shaft Rotation	Phase Seq-Std Rot (CCWODE)
Shaft Slinger Indicator	No Slinger
Speed	1190 rpm
Speed Code	Single Speed
Starting Method	Direct on line
Thermal Device - Bearing	None
Thermal Device - Winding	None

Nameplate

NP4388														
CAT #	ECP84308T-4					FR	364T			IP56				
SPEC	A36-6000-0043					ENCL	TEFC			DES	B			
HZ	60	PH	3	CL	F	HP	40	SF	1.15	PF	80	%	CODE	G
VOLTS	460					AMPS	49.4							
RPM	1190	MAX RPM			1800	SER								
NEMA NOM. EFF	94.1	%	RATING			40C AMB-CONT								
GUAR MIN. EFF	93	%	BRG DE			6313	BRG ODE		6313					
CL I DIV 2 GRPS A,B,C,D	CL I ZONE 2 GRPS					IIA,IIB,IIC			TEMP T	3-200 C				
CT HZ	6-60		VT HZ			0-60								
CHP HZ	60-90		INV TEMP CL			200	C							
										MTR WT	927	LBS		

NP4333

CAT #	ECP84308T-4	ROTOR BARS	55
SPEC	A36-6000-0043	STATOR SLOTS	72
SER		MAX CORR KVAR	12
GREASE	POLYREX EM		
ABMA DE BRG	65BC03J30X	ODE	65BC03J30X

SPACE HEATER LEADS H1-H2:	TIE LIKE NUMBERS	TOGETHER
MAX. SPACE HEATER TEMP.	C V	A W

CUSTOMER INFORMATION PACKET		ECP84308T-4 - 40HP, 1190RPM, 3PH, 60HZ, 364T, A36062M, TEFC				
FRAME	HP	TYPE	PHASE/ HERTZ	RPM	VOLTS	
364T	40	P	3/60	1190	460	

AMPS	DUTY	AMB °C/ INSUL	S.F.	NEMA DESIGN	CODE LETTER	ENCLOSURE
49.4	CONT	40/F	1.15	B	G	TEFC

E/S	ROTOR	TEST S.O.	TEST DATE	STATOR RES. @25 °C OHMS (BETWEEN LINES)	
491377	418141-74EE	---	---	.152	

PERFORMANCE


LOAD	HP	AMPERES	RPM	% POWER FACTOR	% EFFICIENCY
NO LOAD	0	17.7	1200	5.41	0
1/4	10.0	21.6	1197	48.3	90.0
2/4	20.0	29.0	1194	69.0	93.6
3/4	30.0	38.6	1191	77.2	94.3
4/4	40.0	49.4	1188	80.5	94.2
5/4	50.0	61.0	1184	81.9	93.7

SPEED TORQUE

	RPM	TORQUE % FULL LOAD	TORQUE LB.-FT.	AMPERES
LOCKED ROTOR	0	158	280	290
PULL UP	480	136	241	270
BREAKDOWN	1135	243	430	167
FULL LOAD	1188	100	177	49.4

AMPERES SHOWN FOR 460 VOLT CONNECTION. IF OTHER CONNECTIONS ARE AVAILABLE, THE AMPERES WILL VARY INVERSELY WITH THE RATED VOLTAGE.

TYPICAL DATA

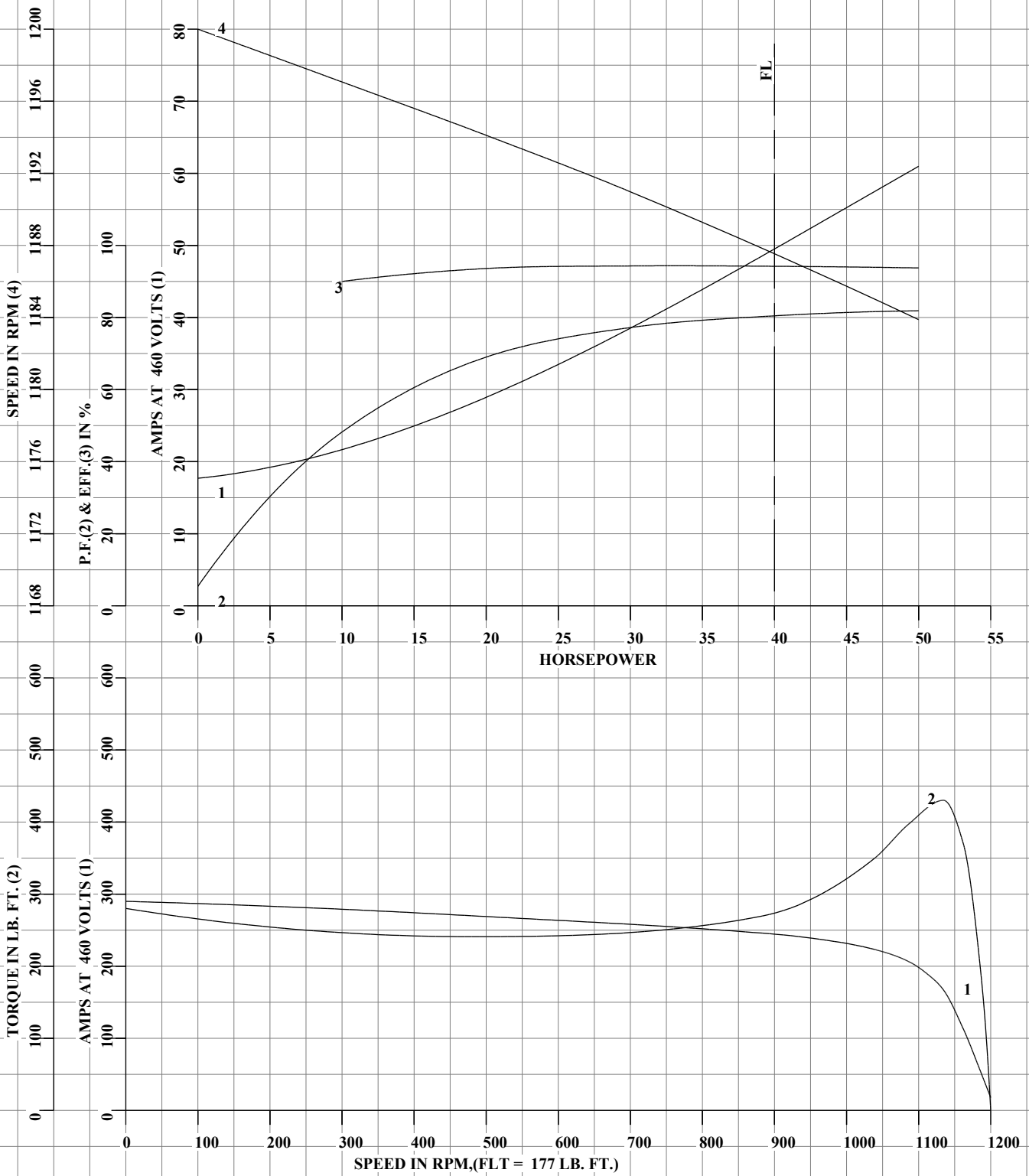
	DRAWN BY: <u>G. R. WEBB</u>	AC MOTOR PERFORMANCE DATA	A36WG0043-R005
	CHECKED BY: <u>W. L. SMITH</u> APPROVED BY: <u>W. L. SMITH</u> DATE: <u>07/14/15</u>		

FRAME 364T
HP 40
TYPE P
PHASE / HERTZ 3/60

RPM 1190
VOLTS 460
AMPS 49.4
DUTY CONT
AMB °C / INSUL 40/F

S.F. 1.15
NEMA DESIGN B
CODE LETTER G
ENCLOSURE TEFC
E/S 491377

ROTOR 48141-74EE
TEST S.O. TYPICAL DATA
TEST DATE ---
STATOR RES. @ 25°C .152
OHMS (BETWEEN LINES)



AMPERES SHOWN FOR 460 VOLT CONNECTION, IF OTHER VOLTAGE CONNECTIONS ARE AVAILABLE, THE AMPERES WILL VARY INVERSELY WITH THE RATED VOLTAGE.



DRAWN BY: G. R. WEBB
 CHECKED BY: W. L. SMITH
 APPROVED BY: W. L. SMITH
 DATE: 07/14/15

AC MOTOR
PERFORMANCE
DATA

A36WG0043-R005

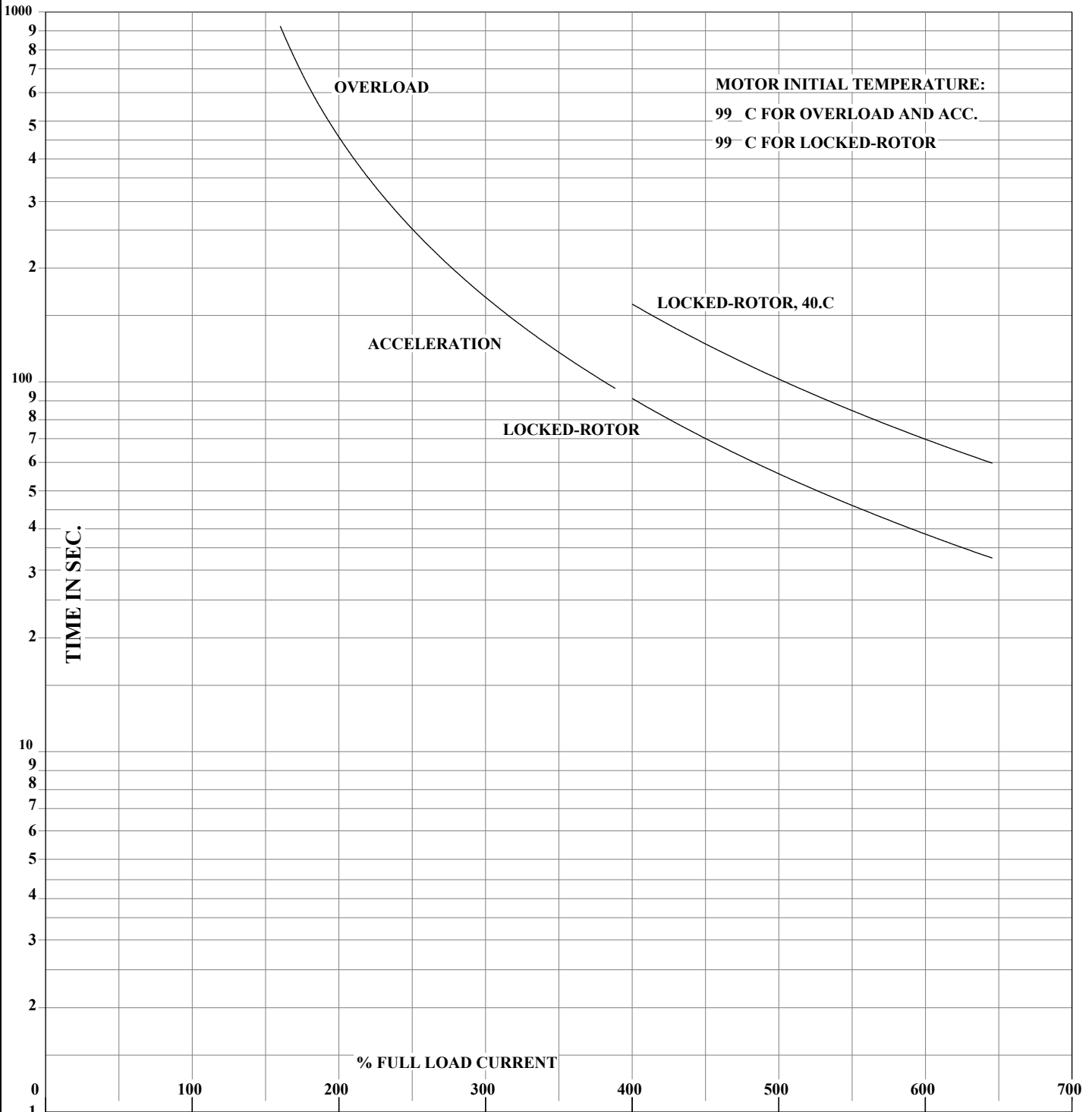
ISSUE DATE 09/04/18

FRAME 364T
HP 40
TYPE P
PHASE / HERTZ 3/60

RPM 1190
VOLTS 460
AMPS 49.4
DUTY CONT
AMB °C / INSUL 40/F

NEMA DESIGN B
CODE LETTER G
ENCLOSURE TEFC
E/S 491377

TEST S.O. TYPICAL DATA
TEST DATE ---
STATOR RES. @ 25°C .152
OHMS (BETWEEN LINES)



THERMAL LIMIT CURVE

AMPERES SHOWN FOR 460 VOLT CONNECTION, IF OTHER VOLTAGE CONNECTIONS ARE AVAILABLE, THE AMPERES WILL VARY INVERSELY WITH THE RATED VOLTAGE.

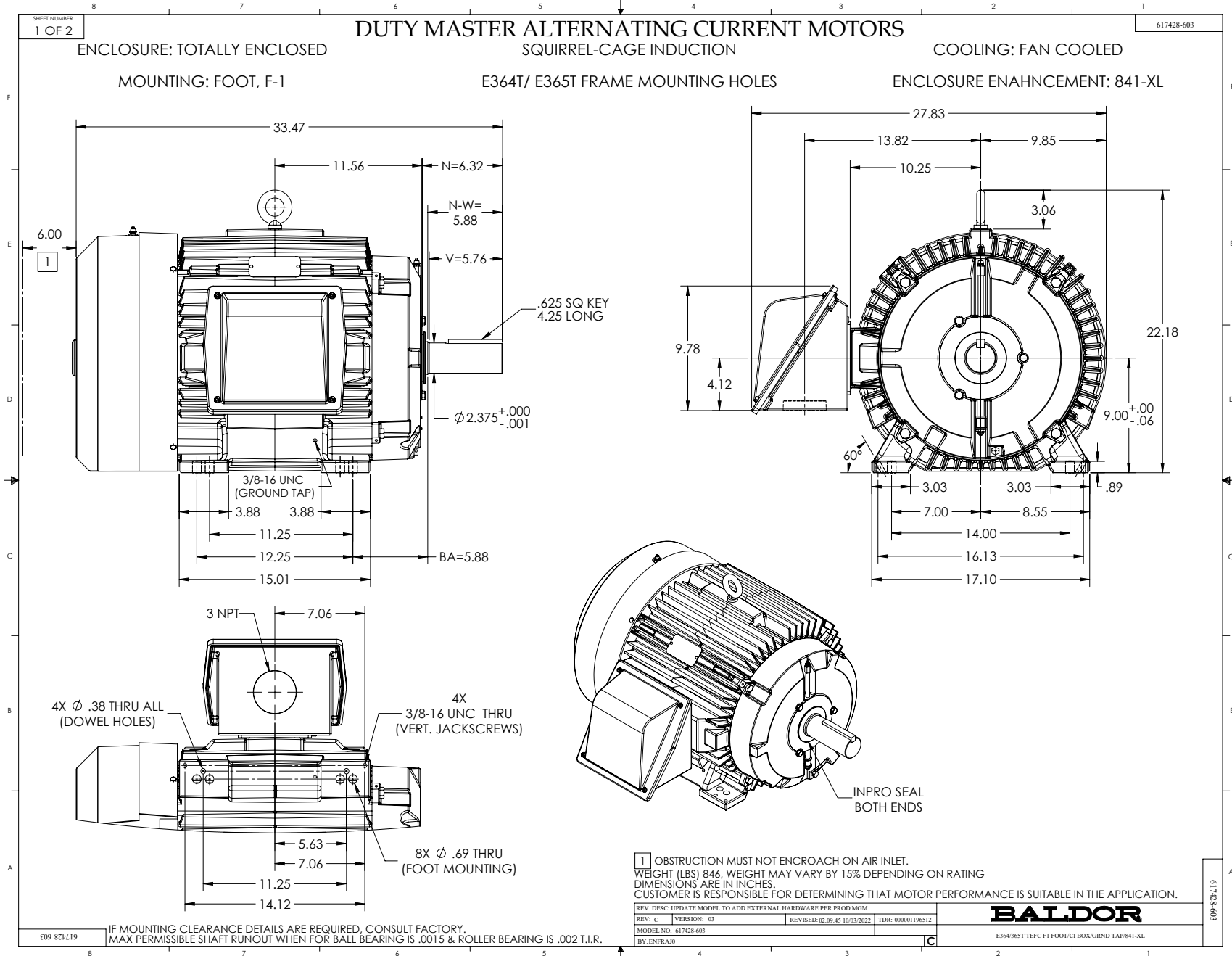


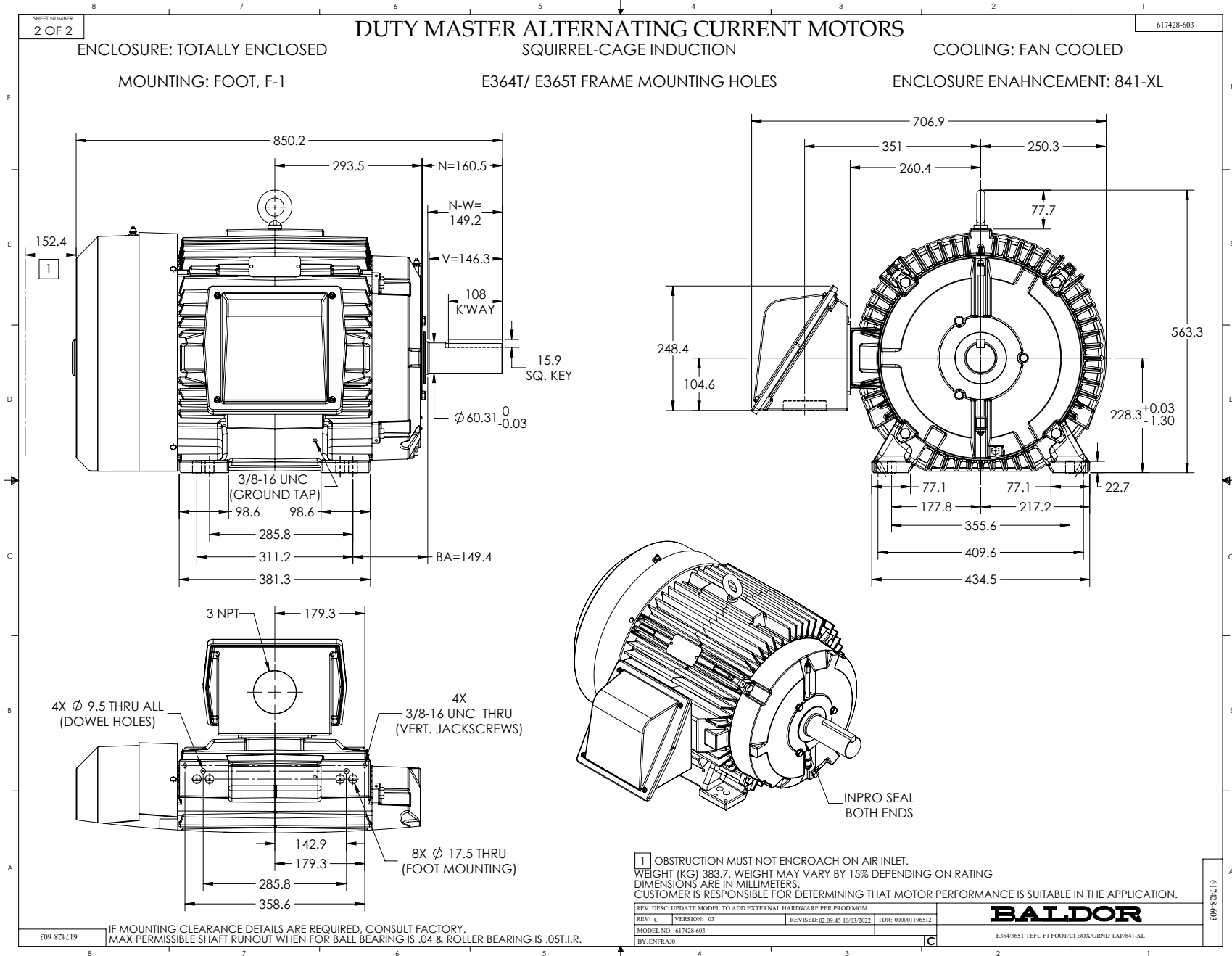
DRAWN BY: G. R. WEBB
CHECKED BY: W. L. SMITH
APPROVED BY: W. L. SMITH
DATE: 07/14/15

AC MOTOR
PERFORMANCE
DATA

A36WG0043-R005

ISSUE DATE 09/04/18





416820-036

A-C MOTOR
CONNECTION DIAGRAM
STANDARD 3 LEAD CONNECTED



(N.P. 1575-BA)

416820-036

REV. DESC: LOADED TO BUS, C/R 335225

REV. LTR: -

VERSION: 00

TDR: 000000538207

FILE: \MGA\00000\682

REVISED: 11:54:06 04/30/2010

MTL: -

BY: RAGRA

BALDOR

CONN DIAG - STANDARD 3 LEAD

SH 1 of 1