



Customer information packet

ECP84111T-5

25HP, 1180RPM, 3PH, 60HZ, 324T, TEFC, F1

Class - CLI GP A,B,C,D

Division - Division II

Specifications

Enclosure	TEFC
Frame	324T
Frame Material	Iron
Frequency	60.00 Hz
Haz Area Class and Group	CLI GP A,B,C,D
Haz Area Division	Division II
Motor Letter Type	Three Phase
Output @ Frequency	25.000 HP @ 60 HZ
Phase	3
Synchronous Speed @ Frequency	1200 RPM @ 60 HZ
Voltage @ Frequency	575.0 V @ 60 HZ
Agency Approvals	CCSA US CSA EEV NEMA PREMIUM NEMA_PREMIUM UR
Ambient Temperature	40 °C
Auxillary Box	No Auxillary Box
Auxillary Box Lead Termination	None
Base Indicator	Rigid
Bearing Grease Type	Polyrex EM (-20F +300F)
Blower	None
Constant Torque Speed Range	1
Current @ Voltage	25.400 A @ 575.0 V
Design Code	B
Drip Cover	No Drip Cover
Duty Rating	CONT
Efficiency @ 100% Load	93.0 %
Electrically Isolated Bearing	Not Electrically Isolated
Enclosure Modification	841
Feedback Device	NO FEEDBACK
Haz Area Temp Code	T3

Part detail

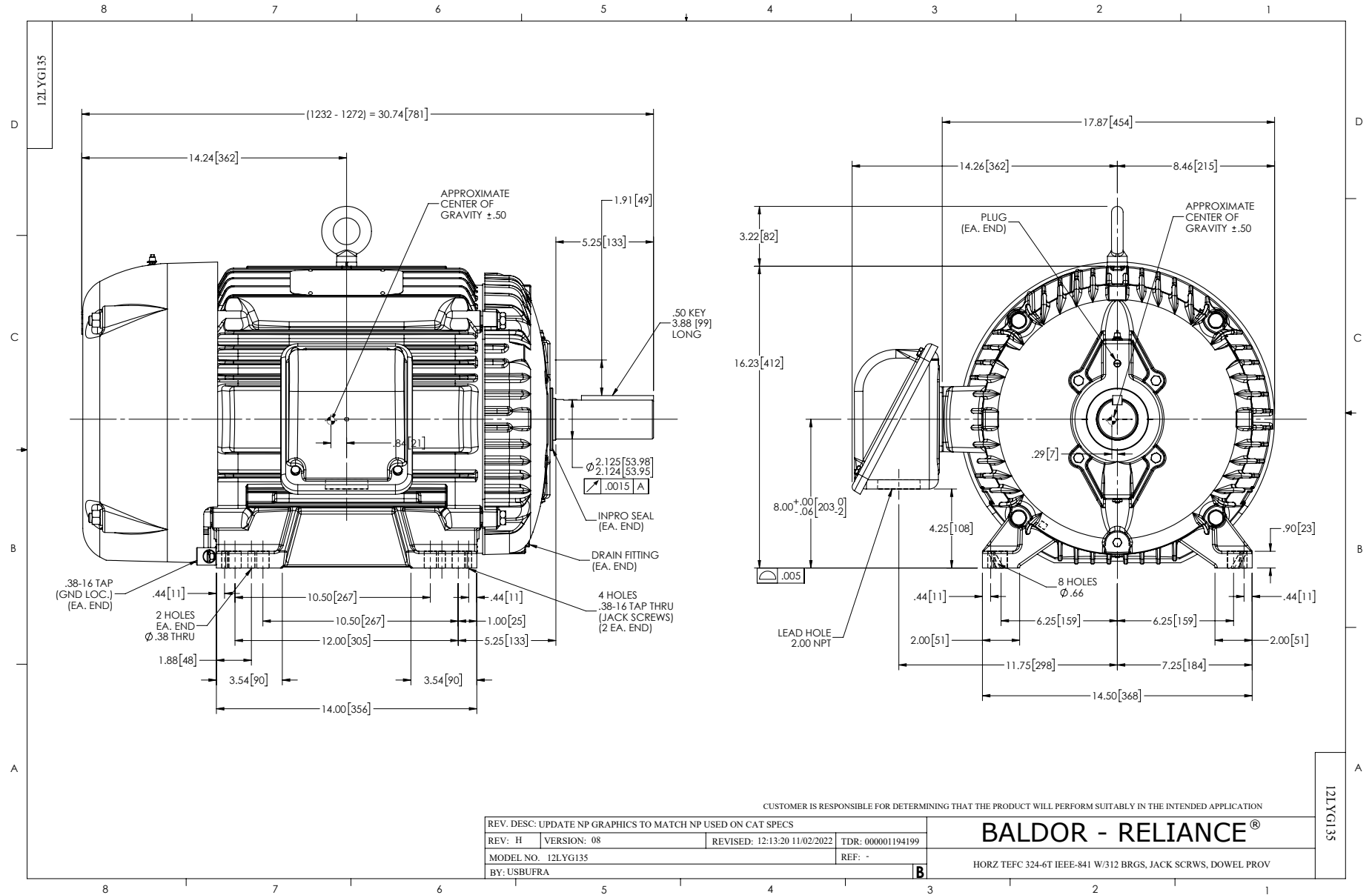
Revision	K
Type	AC
Mech. spec.	
Base	
Status	PRD/A
Elec. spec.	12WGY446
Layout	12LYG135
Eff. date	07-19-2023
CD Diagram	CD0006
Poles	06
Leads	3#8
Proprietary	False
Created date	12-12-2018

Heater Indicator	No Heater
High Voltage Full Load Amps	25.4 a
Insulation Class	F
Inverter Code	Inverter Duty
IP Rating	IP56
KVA Code	G
Lifting Lugs	Standard Lifting Lugs
Locked Bearing Indicator	Locked Bearing
Max Speed	1800 rpm
Motor Lead Termination	Ring Terminals
Motor Standards	NEMA
Motor Type	1264M
Mounting Arrangement	F1
Number of Poles	6
Overall Length	30.74 IN
Power Factor	80
Product Family	Chem Process S/P 32-8 IEEE 841
Pulley Face Code	Standard
Rodent Screen	None
Service Factor	1.15
Shaft Diameter	2.125 IN
Shaft Ground Indicator	No Shaft Grounding
Shaft Rotation	Reversible
Speed	1180 rpm
Speed Code	Single Speed
Starting Method	Direct on line
Thermal Device - Bearing	None
Thermal Device - Winding	None
Vibration Sensor Indicator	No Vibration Sensor
Winding Thermal 1	None
Winding Thermal 2	None

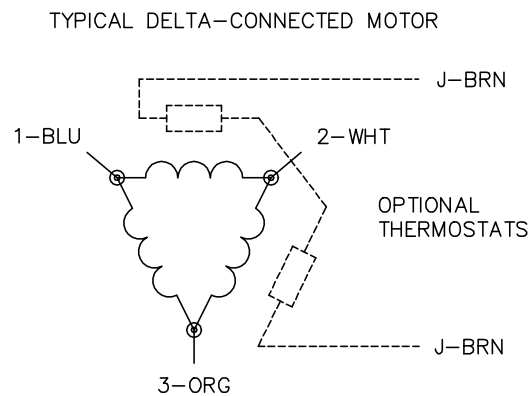
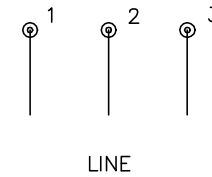
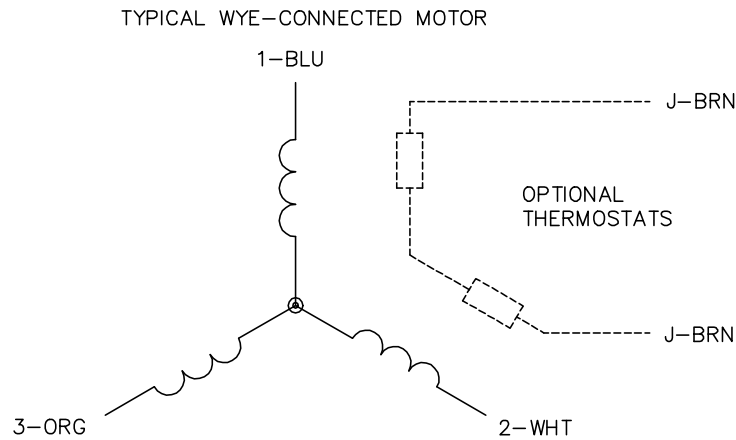
Nameplate

NP4332

STK.NO.	ECP84111T-5	P/N		ENCLOSURE	TEFC
SPEC.	12-0000-0368	CC	010A	FRAME	324T
HP	25	CLASS	F	HZ	60
RPM	1180	RPM MAX	1800	ODE BRG	6312
VOLT	575	PH	3	DE BRG	6312
AMP	25.4	DES	B	D.E. BRG.	60BC03X30X
RATING	40C AMB-CONT	PH	3	O.D.E. BRG.	60BC03X30X
NEMA-NOM-EFF	93	KVA-CODE	G	MOTOR WEIGHT	639
G.MIN.EFF	91.7	MAX. KVAR	8.4	GREASE	POLYREX EM
TEMP CODE	T3	SER.F.	1.15	BLANK	
TEMP =	200	IP	56	INV.TYPE	PWM
CT HZ FROM	1	# OF ROTOR BARS	42	# OF STATOR SLOTS	54
HTR-VOLTS		PF	80	INVERTER-TEMP-CODE	200
HTR-AMPS		CT HZ TO	60	C HP FR	60
HTR-WATTS		C HP TO	90	MAX. SPACE HEATER TEMP.	
VT HZ FROM	0	VT HZ TO	60		



CD0006



NOTES:

1. THREE LEAD MOTOR MAY BE EITHER WYE CONNECTED OR DELTA CONNECTED.
2. INTERCHANGE ANY TWO LINE LEADS TO REVERSE ROTATION.
3. OPTIONAL THERMOSTATS ARE PROVIDED WHEN SPECIFIED.
4. ACTUAL NUMBER OF INTERNAL PARALLEL CIRCUITS MAY VARY.
5. LEAD COLORS ARE OPTIONAL. LEADS MUST BE NUMBERED AS SHOWN.

CD0006

REV. DESC: ADD CLASS CONN00000007		
REV. LTR: E	VERSION: 01	TDR: 000001099922
FILE: \AAA\00005\141	REVISED: 10: 24: 49 02/19/2019	BY: ENBRIRO
MTL: -		© □

BALDOR - RELIANCE®

3PH, SV, 3 LEADS, WYE OR DELTA CONNECTED

SH 1 of 1