

# **ABB BALDOR RELIANCE III**

---

## **Customer information packet**

ECP84110T-4

40HP, 1770RPM, 3PH, 60HZ, 324T, TEFC, F1

Class - CLI GP A,B,C,D

Division - Division II

**Specifications**

<b>Enclosure</b>	TEFC
<b>Frame</b>	324T
<b>Frame Material</b>	Iron
<b>Frequency</b>	60.00 Hz
<b>Haz Area Class and Group</b>	CLI GP A,B,C,D
<b>Haz Area Division</b>	Division II
<b>Motor Letter Type</b>	Three Phase
<b>Output @ Frequency</b>	40.000 HP @ 60 HZ
<b>Phase</b>	3
<b>Synchronous Speed @ Frequency</b>	1800 RPM @ 60 HZ
<b>Voltage @ Frequency</b>	460.0 V @ 60 HZ
<b>Agency Approvals</b>	CCSA US CSA EEV NEMA PREMIUM NEMA_PREMIUM UR
<b>Ambient Temperature</b>	40 °C
<b>Auxiliary Box</b>	NO AUXILLARY BOX
<b>Auxiliary Box Lead Termination</b>	None
<b>Base Indicator</b>	Rigid
<b>Bearing Grease Type</b>	Polyrex EM (-20F +300F)
<b>Blower</b>	None
<b>Constant Torque Speed Range</b>	1
<b>Current @ Voltage</b>	46.000 A @ 460.0 V
<b>Design Code</b>	B
<b>Drip Cover</b>	No Drip Cover
<b>Duty Rating</b>	CONT
<b>Efficiency @ 100% Load</b>	94.1 %
<b>Electrically Isolated Bearing</b>	Not Electrically Isolated
<b>Enclosure Modification</b>	841
<b>Feedback Device</b>	NO FEEDBACK
<b>Haz Area Temp Code</b>	T3

**Part Detail**

<b>Revision</b>	N
<b>Type</b>	AC
<b>Mech. spec.</b>	
<b>Base</b>	
<b>Status</b>	PRD/A
<b>Elec. spec.</b>	12WGY762
<b>Layout</b>	12LYG135
<b>Eff. date</b>	03-31-2026
<b>CD Diagram</b>	CD0006
<b>Poles</b>	04
<b>Leads</b>	3#8
<b>Proprietary</b>	False
<b>Created date</b>	12-12-2018

<b>Heater Indicator</b>	No Heater
<b>High Voltage Full Load Amps</b>	46.0 a
<b>Insulation Class</b>	F
<b>Inverter Code</b>	Inverter Duty
<b>IP Rating</b>	IP56
<b>KVA Code</b>	F
<b>Lifting Lugs</b>	Standard Lifting Lugs
<b>Locked Bearing Indicator</b>	Locked Bearing
<b>Max Speed</b>	2700 rpm
<b>Motor Lead Termination</b>	Ring Terminals
<b>Motor Standards</b>	NEMA
<b>Motor Type</b>	1260M
<b>Mounting Arrangement</b>	F1
<b>Number of Poles</b>	4
<b>Overall Length</b>	30.74 IN
<b>Power Factor</b>	86
<b>Product Family</b>	Chem Process S/P 32-8 IEEE 841
<b>Pulley Face Code</b>	Standard
<b>Rodent Screen</b>	None
<b>Service Factor</b>	1.15
<b>Shaft Diameter</b>	2.125 IN
<b>Shaft Ground Indicator</b>	No Shaft Grounding
<b>Shaft Rotation</b>	Reversible
<b>Speed</b>	1770 rpm
<b>Speed Code</b>	Single Speed
<b>Starting Method</b>	Direct on line
<b>Thermal Device - Bearing</b>	None
<b>Thermal Device - Winding</b>	None
<b>Vibration Sensor Indicator</b>	No Vibration Sensor
<b>Winding Thermal 1</b>	None
<b>Winding Thermal 2</b>	None

**Nameplate**

**NP4332**

<b>CAT.NO.</b>	ECP84110T-4		<b>P/N</b>				<b>ENCLOSURE</b>	TEFC			
<b>SPEC.</b>	12-0000-0365		<b>CC</b>	010A	<b>FRAME</b>	324T	<b>S/N</b>				
<b>HP</b>	40		<b>CLASS</b>	F	<b>HZ</b>	60	<b>ODE BRG</b>	6312	<b>DE BRG</b> 6312		
<b>RPM</b>	1770	<b>RPM MAX</b>	2700	<b>PH</b>	3	<b>DES</b>	B	<b>D.E. BRG.</b>	60BC03X30X		
<b>VOLT</b>	460		<b>KVA-CODE</b>	G		<b>O.D.E. BRG.</b>	60BC03X30X				
<b>AMP</b>	46		<b>MOTOR WEIGHT</b>	629		<b>GREASE</b>	POLYREX EM				
<b>RATING</b>	40C AMB-CONT		<b>MAX. KVAR</b>	8.3		<b>BLANK</b>					
<b>NEMA-NOM-EFF</b>	94.1	<b># OF ROTOR BARS</b>	40	<b>SER.F.</b>	1.15	<b>IP</b>	56				
<b>G.MIN.EFF</b>	93	<b># OF STATOR SLOTS</b>	48	<b>PF</b>	86	<b>INV.TYPE</b>	PWM				
<b>TEMP CODE</b>	T3		<b>INVERTER-TEMP-CODE</b>	200							
<b>TEMP =</b>	200	<b>C HP FR</b>	60	<b>C HP TO</b>	90						
<b>CT HZ FROM</b>	1	<b>CT HZ TO</b>	60								
<b>HTR-VOLTS</b>		<b>HTR-AMPS</b>		<b>HTR-WATTS</b>		<b>MAX. SPACE HEATER TEMP.</b>		<b>VT HZ FROM</b>	0-	<b>VT HZ TO</b>	60

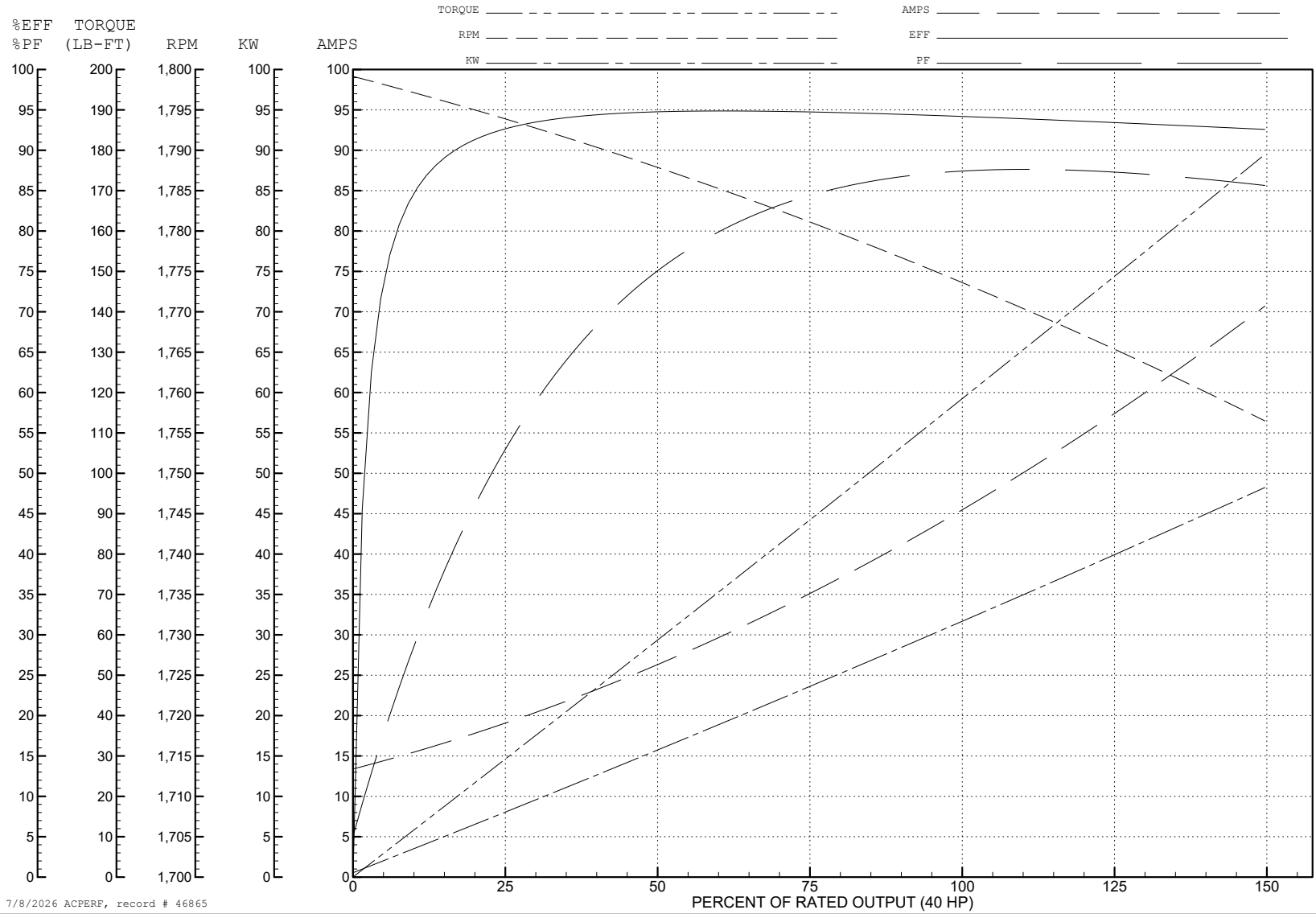
ABB Motors and Mechanical Inc.

WINDING # 12WGY762

Typical performance - not guaranteed values.

40 HP 3 PH 60 HZ 1770 RPM 460 V 1260M

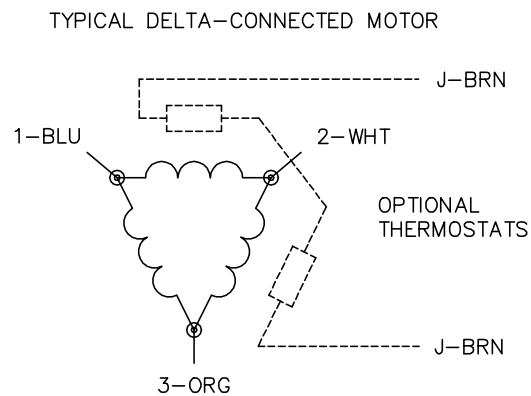
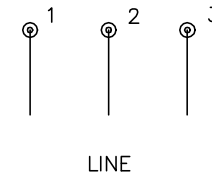
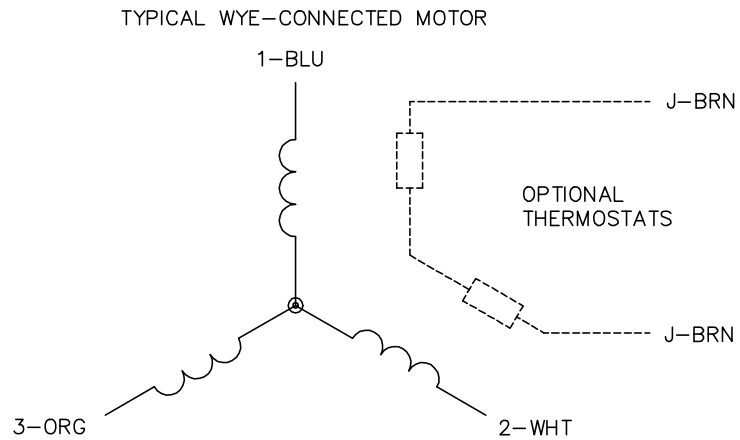
TORQUES (LB-FT): PO=305 PU=146 LR=173 LRA=273



7/8/2026 ACPERF, record # 46865



CD0006



NOTES:

1. THREE LEAD MOTOR MAY BE EITHER WYE CONNECTED OR DELTA CONNECTED.
2. INTERCHANGE ANY TWO LINE LEADS TO REVERSE ROTATION.
3. OPTIONAL THERMOSTATS ARE PROVIDED WHEN SPECIFIED.
4. ACTUAL NUMBER OF INTERNAL PARALLEL CIRCUITS MAY VARY.
5. LEAD COLORS ARE OPTIONAL. LEADS MUST BE NUMBERED AS SHOWN.

CD0006

REV. DESC: ADD CLASS CONN00000007		
REV. LTR: E	VERSION: 01	TDR: 000001099922
FILE: \AAA\00005\141	REVISED: 10:24:49 02/19/2019	BY: ENBRIRO
MTL: -		© □

**BALDOR - RELIANCE®**

3PH, SV, 3 LEADS, WYE OR DELTA CONNECTED

SH 1 of 1