

BALDOR • RELIANCE

Customer information packet

ECP84108T-4

30HP, 3525RPM, 3PH, 60HZ, 286TS, TEFC, F1

Class - CLI GP A,B,C,D

Division - Division II

Specifications

Enclosure	TEFC
Frame	286TS
Frame Material	Iron
Frequency	60.00 Hz
Haz Area Class and Group	CLI GP A,B,C,D
Haz Area Division	Division II
Motor Letter Type	Three Phase
Output @ Frequency	30.000 HP @ 60 HZ
Phase	3
Synchronous Speed @ Frequency	3600 RPM @ 60 HZ
Voltage @ Frequency	460.0 V @ 60 HZ
Agency Approvals	CCSA US CSA EEV NEMA PREMIUM NEMA_PREMIUM UR
Ambient Temperature	40 °C
Auxillary Box	No Auxillary Box
Auxillary Box Lead Termination	None
Base Indicator	Rigid
Bearing Grease Type	Polyrex EM (-20F +300F)
Blower	None
Constant Torque Speed Range	1.3
Current @ Voltage	34.000 A @ 460.0 V
Design Code	B
Drip Cover	No Drip Cover
Duty Rating	CONT
Efficiency @ 100% Load	91.7 %
Electrically Isolated Bearing	Not Electrically Isolated
Enclosure Modification	841
Feedback Device	NO FEEDBACK
Haz Area Temp Code	T3

Part detail

Revision	J
Type	AC
Mech. spec.	
Base	
Status	PRD/A
Elec. spec.	10WGZ522
Layout	10LYJ567
Eff. date	07-17-2023
CD Diagram	CD0006
Poles	02
Leads	3#10
Proprietary	False
Created date	12-06-2018

Heater Indicator	No Heater
High Voltage Full Load Amps	34.0 a
Insulation Class	F
Inverter Code	Inverter Duty
IP Rating	IP56
KVA Code	G
Lifting Lugs	Standard Lifting Lugs
Locked Bearing Indicator	Locked Bearing
Max Speed	5400 rpm
Motor Lead Termination	Ring Terminals
Motor Standards	NEMA
Motor Type	1048M
Mounting Arrangement	F1
Number of Poles	2
Overall Length	26.57 IN
Power Factor	90
Product Family	Chem Process S/P 32-8 IEEE 841
Pulley Face Code	Standard
Rodent Screen	None
Service Factor	1.15
Shaft Diameter	1.625 IN
Shaft Ground Indicator	No Shaft Grounding
Shaft Rotation	Reversible
Speed	3525 rpm
Speed Code	Single Speed
Starting Method	Direct on line
Thermal Device - Bearing	None
Thermal Device - Winding	None
Vibration Sensor Indicator	No Vibration Sensor
Winding Thermal 1	None
Winding Thermal 2	None

Nameplate

NP4332

STK.NO.	ECP84108T-4	P/N		ENCLOSURE	TEFC
SPEC.	10-0000-0397	CC	010A	FRAME	286TS
HP	30	CLASS	F	HZ	60
RPM	3525	RPM MAX	5400	ODE BRG	6311
VOLT	460	PH	3	DE BRG	6311
AMP	34	DES	B	D.E. BRG.	55BC03X30X
RATING	40C AMB-CONT	KVA-CODE	G	O.D.E. BRG.	55BC03X30X
NEMA-NOM-EFF	91.7	MOTOR WEIGHT	442	GREASE	POLYREX EM
G.MIN.EFF	90.2	MAX. KVAR	3.7	BLANK	
TEMP CODE	T3	# OF ROTOR BARS	28	SER.F.	1.15
TEMP =	200	# OF STATOR SLOTS	36	IP	56
CT HZ FROM	1.3	PF	90	INV.TYPE	PWM
HTR-VOLTS		INVERTER-TEMP-CODE	200		
HTR-AMPS		C HP FR	60	C HP TO	90
HTR-WATTS		CT HZ TO	60		
MAX. SPACE HEATER TEMP.				VT HZ FROM	0-
				VT HZ TO	60

Accessories

Part number	Description	Multiplier
10EP1305A129P	PUEP MACH,INPRO,EPOXY (10EP1110A01 SWAP)	

AC Induction Motor Performance Data

Record # 93058

Typical performance - not guaranteed values

Winding: 10WGZ522-R001		Type: 1048M		Enclosure: TEFC	
Nameplate Data			460 V, 60 Hz: Single Voltage Motor		
Rated Output (HP)	30	Full Load Torque	44.8 LB-FT		
Volts	460	Start Configuration	direct on line		
Full Load Amps	34	Breakdown Torque	135 LB-FT		
R.P.M.	3525	Pull-up Torque	47 LB-FT		
Hz	60 Phase	Locked-rotor Torque	65.2 LB-FT		
NEMA Design Code	B	Starting Current	212 A		
Service Factor (S.F.)	1.15	No-load Current	8.74 A		
NEMA Nom. Eff.	91.7	Line-line Res. @ 25°C	0.24052 Ω		
Rating - Duty	40C AMB-CONT	Temp. Rise @ Rated Load	69°C		
S.F. Amps		Temp. Rise @ S.F. Load	85°C		
		Locked-rotor Power Factor	23.2		

Load Characteristics 460 V, 60 Hz, 30 HP

% of Rated Load	25	50	75	100	125	150	S.F.
Power Factor	67	83	88	90	90	90	90
Efficiency	87	91.3	92	91.7	90.9	89.7	91.2
Speed	3583	3565.7	3547.3	3526.7	3504.4	3479.1	3513
Line amperes	12.4	18.7	26.1	34.1	43.1	52.5	39.5

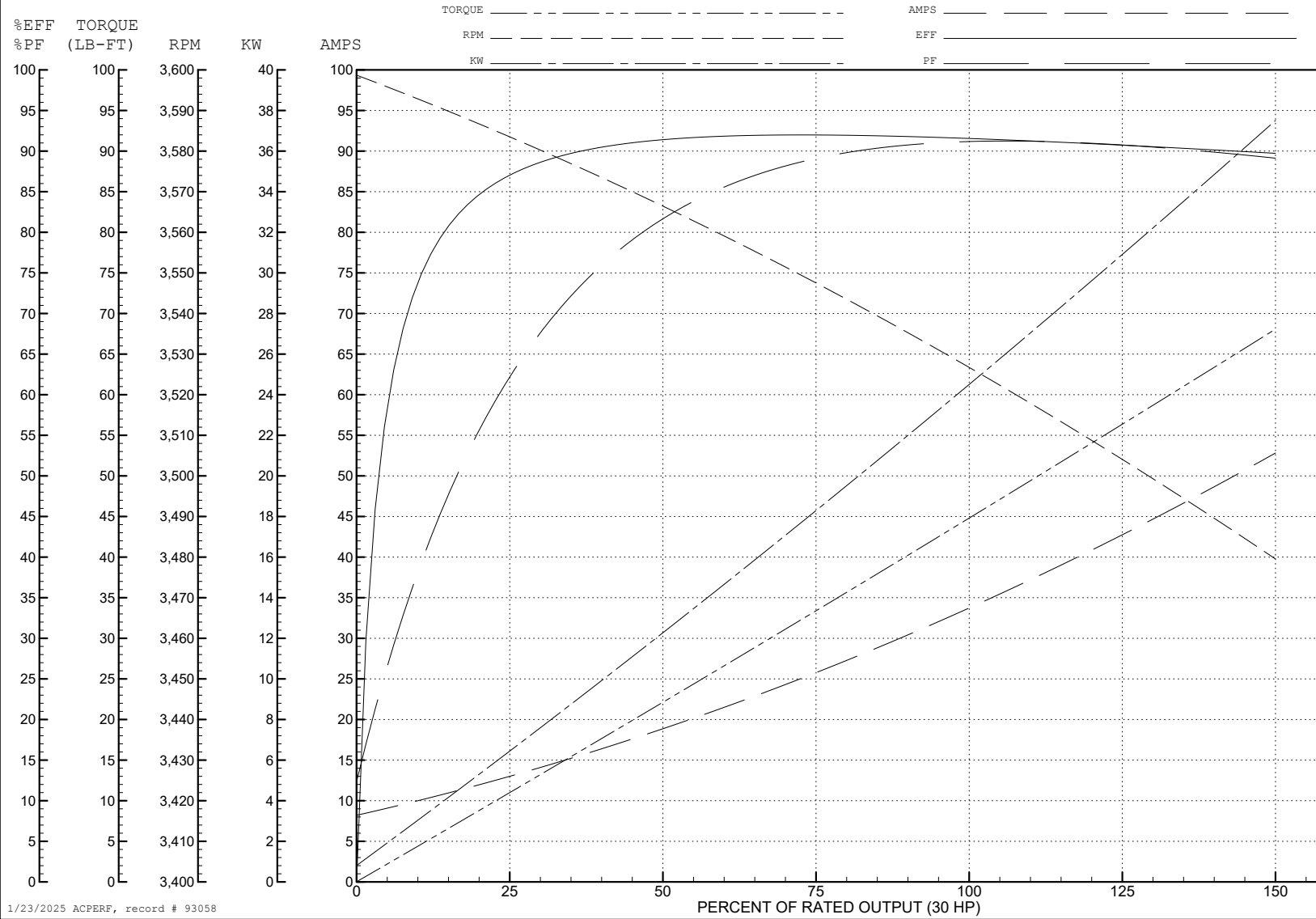
ABB Motors and Mechanical Inc.

WINDING # 10WGZ522

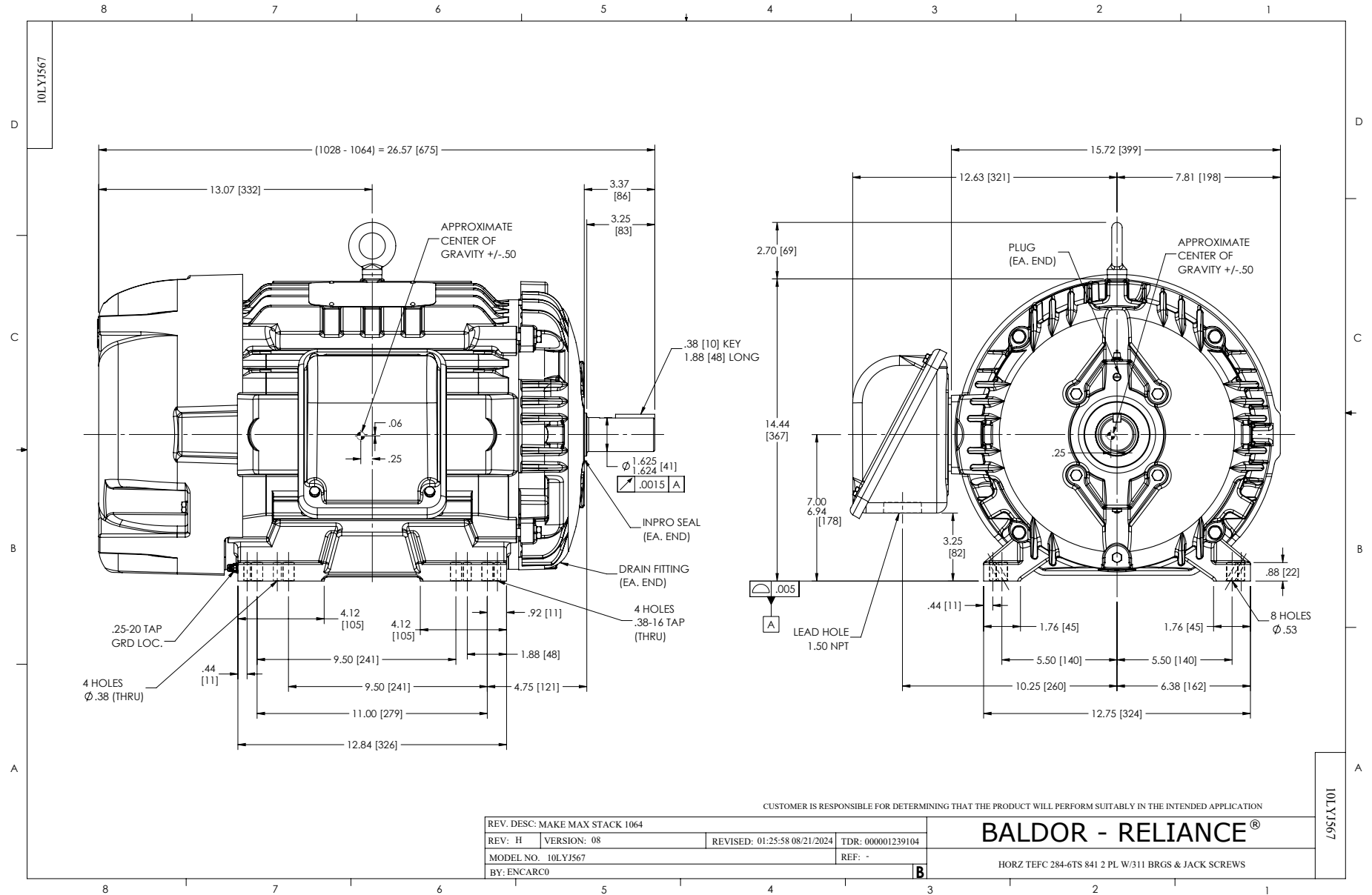
30 HP 3 PH 60 HZ 3525 RPM 460 V 1048M

Typical performance - not guaranteed values.

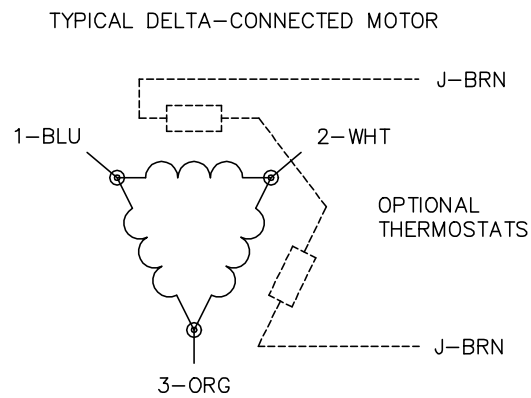
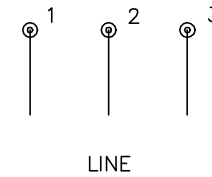
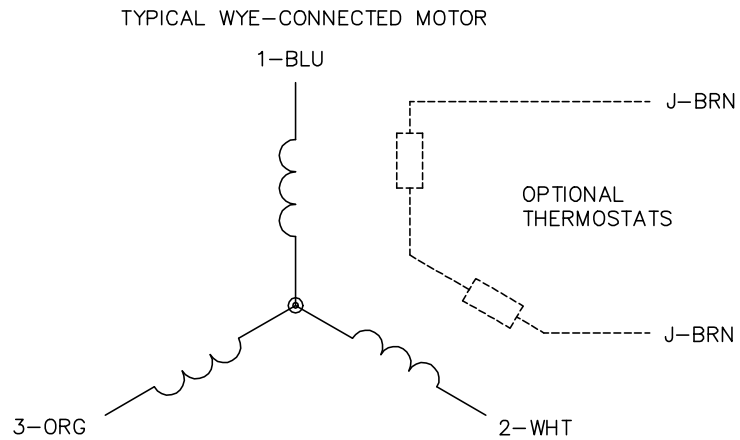
TORQUES (LB-FT): PO=135 PU=47 LR=65.2 LRA=212



1/23/2025 ACPERF, record # 93058



CD0006



NOTES:

1. THREE LEAD MOTOR MAY BE EITHER WYE CONNECTED OR DELTA CONNECTED.
2. INTERCHANGE ANY TWO LINE LEADS TO REVERSE ROTATION.
3. OPTIONAL THERMOSTATS ARE PROVIDED WHEN SPECIFIED.
4. ACTUAL NUMBER OF INTERNAL PARALLEL CIRCUITS MAY VARY.
5. LEAD COLORS ARE OPTIONAL. LEADS MUST BE NUMBERED AS SHOWN.

CD0006

REV. DESC: ADD CLASS CONN00000007		
REV. LTR: E	VERSION: 01	TDR: 000001099922
FILE: \AAA\00005\141	REVISED: 10:24:49 02/19/2019	BY: ENBRIRO
MTL: -	© □	

BALDOR - RELIANCE®

3PH, SV, 3 LEADS, WYE OR DELTA CONNECTED

SH 1 of 1