



Customer information packet

ECP84106T-4

20HP, 3510RPM, 3PH, 60HZ, 256T, 0954M, TEFC, F1

Class - CLI GP A,B,C,D

Division - Division II

Specifications

Enclosure	TEFC
Frame	256T
Frame Material	Iron
Frequency	60.00 Hz
Motor Letter Type	Three Phase
Output @ Frequency	20.000 HP @ 60 HZ
Phase	3
Synchronous Speed @ Frequency	3600 RPM @ 60 HZ
Voltage @ Frequency	460.0 V @ 60 HZ
XP Class and Group	CLI GP A,B,C,D
XP Division	Division II
Agency Approvals	CSA EEV NEMA PREMIUM NEMA_PREMIUM UR CCSA US
Ambient Temperature	40 °C
Auxillary Box	No Auxillary Box
Auxillary Box Lead Termination	None
Base Indicator	Rigid
Bearing Grease Type	Polyrex EM (-20F +300F)
Blower	None
Constant Torque Speed Range	6
Current @ Voltage	22.000 A @ 460.0 V
Design Code	B
Drip Cover	No Drip Cover
Duty Rating	CONT
Efficiency @ 100% Load	91.0 %
Electrically Isolated Bearing	Not Electrically Isolated
Enclosure Modification	841
Feedback Device	NO FEEDBACK
Front Face Code	Standard

Part detail

Revision	AJ
Type	AC
Mech. spec.	09G557
Base	
Status	PRD/A
Elec. spec.	09WGT034
Layout	09LYG557
Eff. date	11-14-2023
CD Diagram	CD0006
Poles	02
Leads	3#12
Proprietary	False
Created date	01-07-2014

Front Shaft Indicator	None
Heater Indicator	No Heater
High Voltage Full Load Amps	22.0 a
Insulation Class	F
Inverter Code	Inverter Duty
KVA Code	G
Lifting Lugs	Standard Lifting Lugs
Locked Bearing Indicator	Locked Bearing
Max Speed	5400 rpm
Motor Lead Exit	Ko Box
Motor Lead Quantity/Wire Size	3 @ 12 AWG
Motor Lead Termination	Ring Terminals
Motor Standards	NEMA
Motor Type	0954M
Mounting Arrangement	F1
Number of Poles	2
Overall Length	24.78 IN
Power Factor	91
Product Family	Chem Process S/P 32-8 IEEE 841
Pulley End Bearing Type	Ball
Pulley Face Code	Standard
Pulley Shaft Indicator	Standard
Rodent Screen	None
Service Factor	1.15
Shaft Diameter	1.625 IN
Shaft Extension Location	Pulley End
Shaft Ground Indicator	No Shaft Grounding
Shaft Rotation	Reversible
Shaft Slinger Indicator	No Slinger
Speed	3510 rpm
Speed Code	Single Speed
Starting Method	Direct on line
Thermal Device - Bearing	None
Thermal Device - Winding	None

Vibration Sensor Indicator	No Vibration Sensor
Winding Thermal 1	None
Winding Thermal 2	None
XP Temp Code	T3

Nameplate

NP4332

STK.NO.	ECP84106T-4	P/N		ENCLOSURE	TEFC
SPEC.	09G557T034	CC	010A	FRAME	256T
HP	20	CLASS	F	HZ	60
RPM	3510	RPM MAX	5400	ODE BRG	6309
VOLT	460	PH	3	DE BRG	6309
AMP	22	DES	B	D.E. BRG.	45BC03X30X
RATING	40C AMB-CONT	PH	3	D.E. BRG.	45BC03X30X
NEMA-NOM-EFF	91	KVA-CODE	G	O.D.E. BRG.	45BC03X30X
G.MIN.EFF	89.5	MOTOR WEIGHT	305	GREASE	POLYREX EM
TEMP CODE	T3	MAX. KVAR	2	BLANK	
TEMP =	200	# OF ROTOR BARS	28	SER.F.	1.15
CT HZ FROM	6	# OF STATOR SLOTS	36	IP	56
HTR-VOLTS		PF	91	INV.TYPE	PWM
HTR-AMPS		INVERTER-TEMP-CODE	200		
HTR-WATTS		C HP FR	60	C HP TO	90
MAX. SPACE HEATER TEMP.		CT HZ TO	60		
VT HZ FROM	0-			VT HZ TO	60

AC Induction Motor Performance Data

Record # 46537

Typical performance - not guaranteed values

Winding: 09WGT034-R003		Type: 0954M	Enclosure: TEFC	
Nameplate Data			460 V, 60 Hz: Single Voltage Motor	
Rated Output (HP)	20	Full Load Torque	30.1 LB-FT	
Volts	460	Start Configuration	direct on line	
Full Load Amps	22	Breakdown Torque	101 LB-FT	
R.P.M.	3510	Pull-up Torque	33.7 LB-FT	
Hz	60 Phase	3	Locked-rotor Torque	43.9 LB-FT
NEMA Design Code	B KVA Code	G	Starting Current	145 A
Service Factor (S.F.)		1.15	No-load Current	4.81 A
NEMA Nom. Eff.	91 Power Factor	91	Line-line Res. @ 25°C	0.45009 Ω
Rating - Duty		40C AMB-CONT	Temp. Rise @ Rated Load	68°C
S.F. Amps			Temp. Rise @ S.F. Load	87°C
			Locked-rotor Power Factor	27
			Rotor inertia	1.38 LB-FT ²

Load Characteristics 460 V, 60 Hz, 20 HP

% of Rated Load	25	50	75	100	125	150	S.F.
Power Factor	72	87	91	91	92	92	92
Efficiency	91.4	93.3	93	92	90.6	88.9	91.2
Speed	3579.7	3560.2	3538.1	3514.3	3486.6	3454.4	3498
Line amperes	7.42	11.8	16.7	22.4	28.4	34.7	26

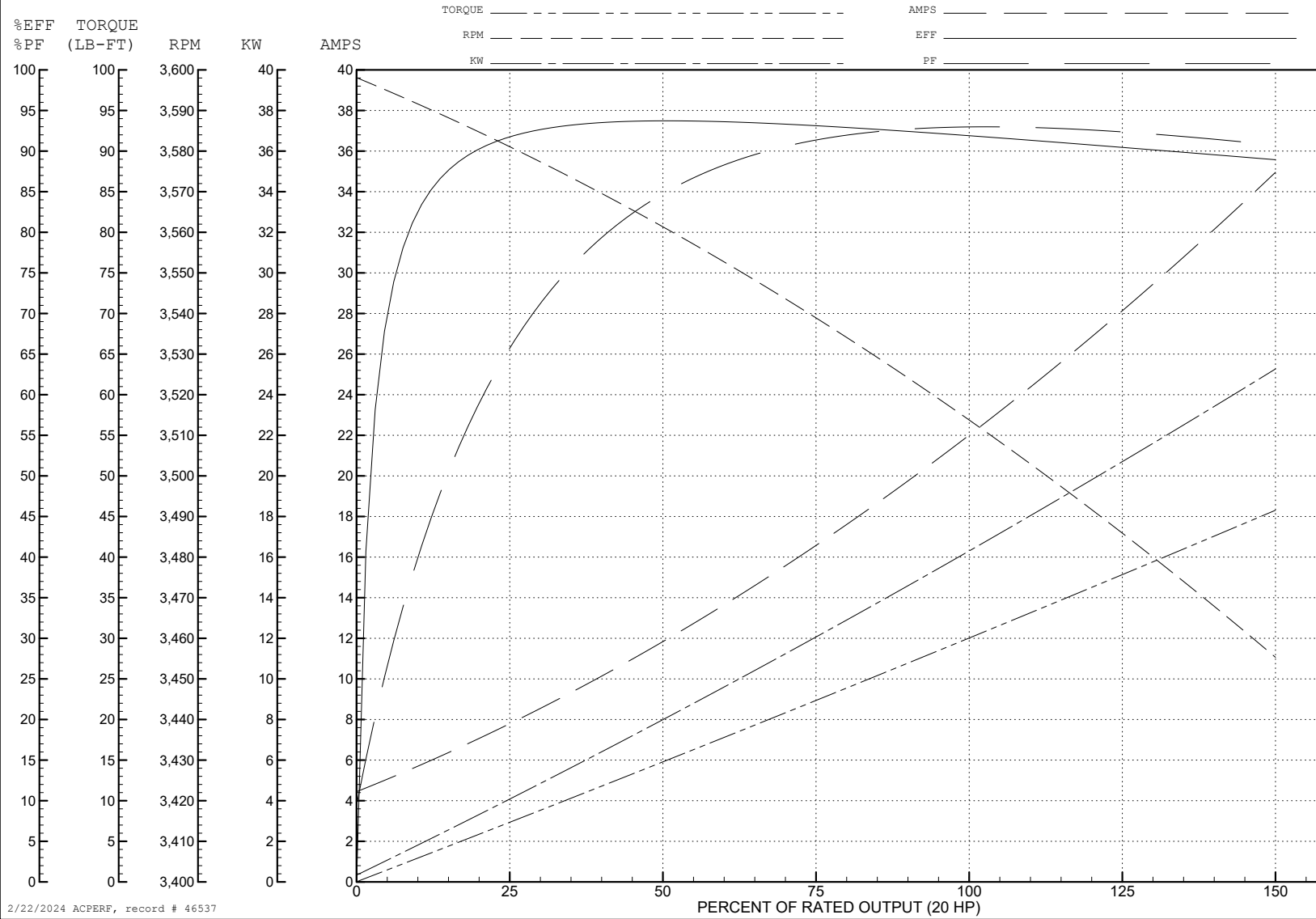
ABB Motors and Mechanical Inc.

WINDING # 09WGT034

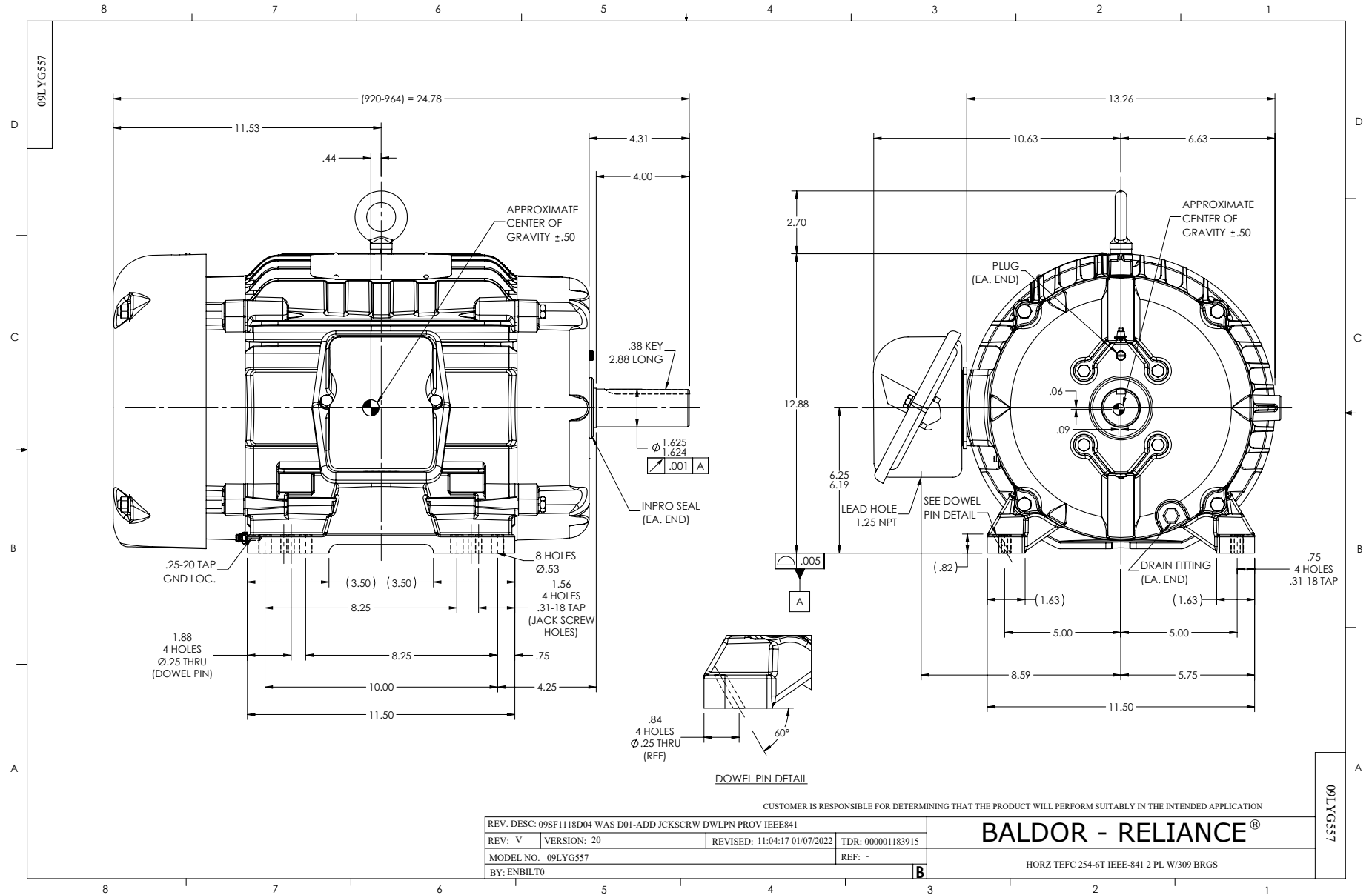
20 HP 3 PH 60 HZ 3510 RPM 460 V 0954M

Typical performance - not guaranteed values.

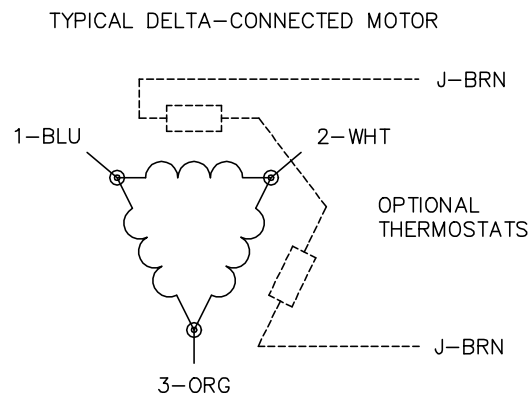
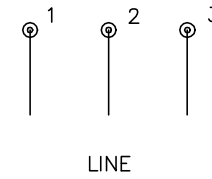
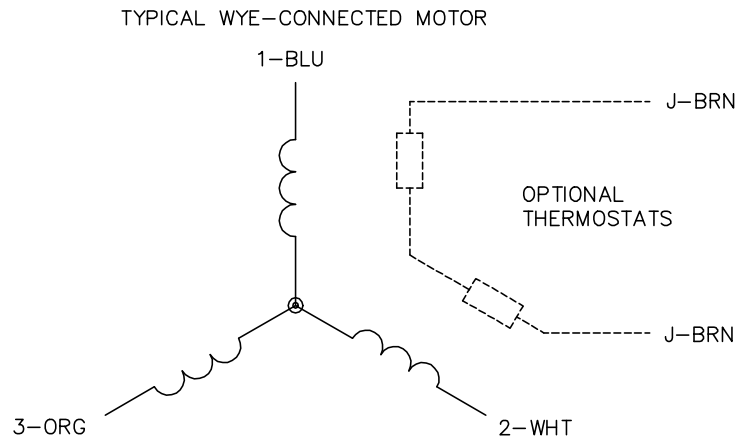
TORQUES (LB-FT): PO=101 PU=33.7 LR=43.9 LRA=145



2/22/2024 ACPERF, record # 46537



CD0006



NOTES:

1. THREE LEAD MOTOR MAY BE EITHER WYE CONNECTED OR DELTA CONNECTED.
2. INTERCHANGE ANY TWO LINE LEADS TO REVERSE ROTATION.
3. OPTIONAL THERMOSTATS ARE PROVIDED WHEN SPECIFIED.
4. ACTUAL NUMBER OF INTERNAL PARALLEL CIRCUITS MAY VARY.
5. LEAD COLORS ARE OPTIONAL. LEADS MUST BE NUMBERED AS SHOWN.

CD0006

REV. DESC: ADD CLASS CONN00000007		
REV. LTR: E	VERSION: 01	TDR: 000001099922
FILE: \AAA\00005\141	REVISED: 10:24:49 02/19/2019	BY: ENBRIRO
MTL: -	© □	

BALDOR - RELIANCE®

3PH, SV, 3 LEADS, WYE OR DELTA CONNECTED

SH 1 of 1