



Customer information packet

ECP84103T-5

25HP, 1770RPM, 3PH, 60HZ, 284T, TEFC, F1

Class - CLI GP A,B,C,D

Division - Division II

Specifications

Enclosure	TEFC
Frame	284T
Frame Material	Iron
Frequency	60.00 Hz
Motor Letter Type	Three Phase
Output @ Frequency	25.000 HP @ 60 HZ
Phase	3
Synchronous Speed @ Frequency	1800 RPM @ 60 HZ
Voltage @ Frequency	575.0 V @ 60 HZ
XP Class and Group	CLIGP A,B,C,D
XP Division	Division II
Agency Approvals	CCSA US CSA EEV UR
Ambient Temperature	40 °C
Auxillary Box	No Auxillary Box
Auxillary Box Lead Termination	None
Base Indicator	Rigid
Bearing Grease Type	Polyrex EM (-20F +300F)
Blower	None
Constant Torque Speed Range	1
Current @ Voltage	24.000 A @ 575.0 V
Design Code	B
Drip Cover	No Drip Cover
Duty Rating	CONT
Efficiency @ 100% Load	93.6 %
Electrically Isolated Bearing	Not Electrically Isolated
Enclosure Modification	841
Feedback Device	NO FEEDBACK
Heater Indicator	No Heater
High Voltage Full Load Amps	24.0 a
Insulation Class	F

Part detail

Revision	H
Type	AC
Mech. spec.	
Base	
Status	PRD/A
Elec. spec.	10WGZ620
Layout	10LYH231
Eff. date	01-03-2023
CD Diagram	CD0006
Poles	04
Leads	3#10
Proprietary	False
Created date	12-06-2018

Inverter Code	Inverter Duty
IP Rating	IP56
KVA Code	F
Lifting Lugs	Standard Lifting Lugs
Locked Bearing Indicator	Locked Bearing
Max Speed	2700 rpm
Motor Lead Termination	Ring Terminals
Motor Standards	NEMA
Motor Type	1056M
Mounting Arrangement	F1
Number of Poles	4
Overall Length	27.93 IN
Power Factor	85
Product Family	Chem Process S/P 32-8 IEEE 841
Pulley Face Code	Standard
Rodent Screen	None
Service Factor	1.15
Shaft Diameter	1.875 IN
Shaft Ground Indicator	No Shaft Grounding
Shaft Rotation	Reversible
Speed	1770 rpm
Speed Code	Single Speed
Starting Method	Direct on line
Thermal Device - Winding	None
Vibration Sensor Indicator	No Vibration Sensor
Winding Thermal 1	None
Winding Thermal 2	None
XP Temp Code	T3C

Nameplate

NP4332

STK.NO.	ECP84103T-5	P/N		ENCLOSURE	TEFC
SPEC.	10-0000-0402	CC	010A	FRAME	284T
HP	25	CLASS	F	HZ	60
RPM	1770	RPM MAX	2700	ODE BRG	6311
VOLT	575	PH	3	DE BRG	6311
AMP	23.6	DES	B	D.E. BRG.	55BC03X30X
RATING	40C AMB-CONT	PH	3	O.D.E. BRG.	55BC03X30X
NEMA-NOM-EFF	93.6	KVA-CODE	F	MOTOR WEIGHT	345
G.MIN.EFF	92.4	MAX. KVAR	5.8	GREASE	POLYREX EM
TEMP CODE	T3C	SER.F.	1.15	BLANK	
TEMP =	160	IP	56	INV.TYPE	PWM
CT HZ FROM	1	# OF ROTOR BARS	40	PF	85
HTR-VOLTS		# OF STATOR SLOTS	48	INVERTER-TEMP-CODE	180
HTR-AMPS		C HP FR	60	C HP TO	90
HTR-WATTS		CT HZ TO	60	MAX. SPACE HEATER TEMP.	
VT HZ FROM		VT HZ TO	60		

AC Induction Motor Performance Data

Record # 93182

Typical performance - not guaranteed values

Winding: 10WGZ620-R001		Type: 1056M	Enclosure: TEFC	
Nameplate Data			575 V, 60 Hz: Single Voltage Motor	
Rated Output (HP)	25	Full Load Torque	74.36 LB-FT	
Volts	575	Start Configuration	direct on line	
Full Load Amps	24	Breakdown Torque	196 LB-FT	
R.P.M.	1770	Pull-up Torque	90.75 LB-FT	
Hz	60 Phase	3	Locked-rotor Torque	114 LB-FT
NEMA Design Code	B KVA Code	F	Starting Current	146 A
Service Factor (S.F.)	1.15	No-load Current	8.24 A	
NEMA Nom. Eff.	93.6 Power Factor	85	Line-line Res. @ 25°C	0.463 Ω
Rating - Duty	40C AMB-CONT	Temp. Rise @ Rated Load	54°C	
S.F. Amps		Temp. Rise @ S.F. Load	67°C	
		Locked-rotor Power Factor	30.4	
		Rotor inertia	4.46 lb-ft ²	

Load Characteristics 575 V, 60 Hz, 25 HP

% of Rated Load	25	50	75	100	125	150	S.F.
Power Factor	51	73	82	85	86	86	86
Efficiency	91	93.8	94.1	93.6	92.8	92.1	93.1
Speed	1793	1785	1779	1771	1762	1751	1766
Line amperes	9.93	13.55	18.28	23.59	29.19	35.78	27

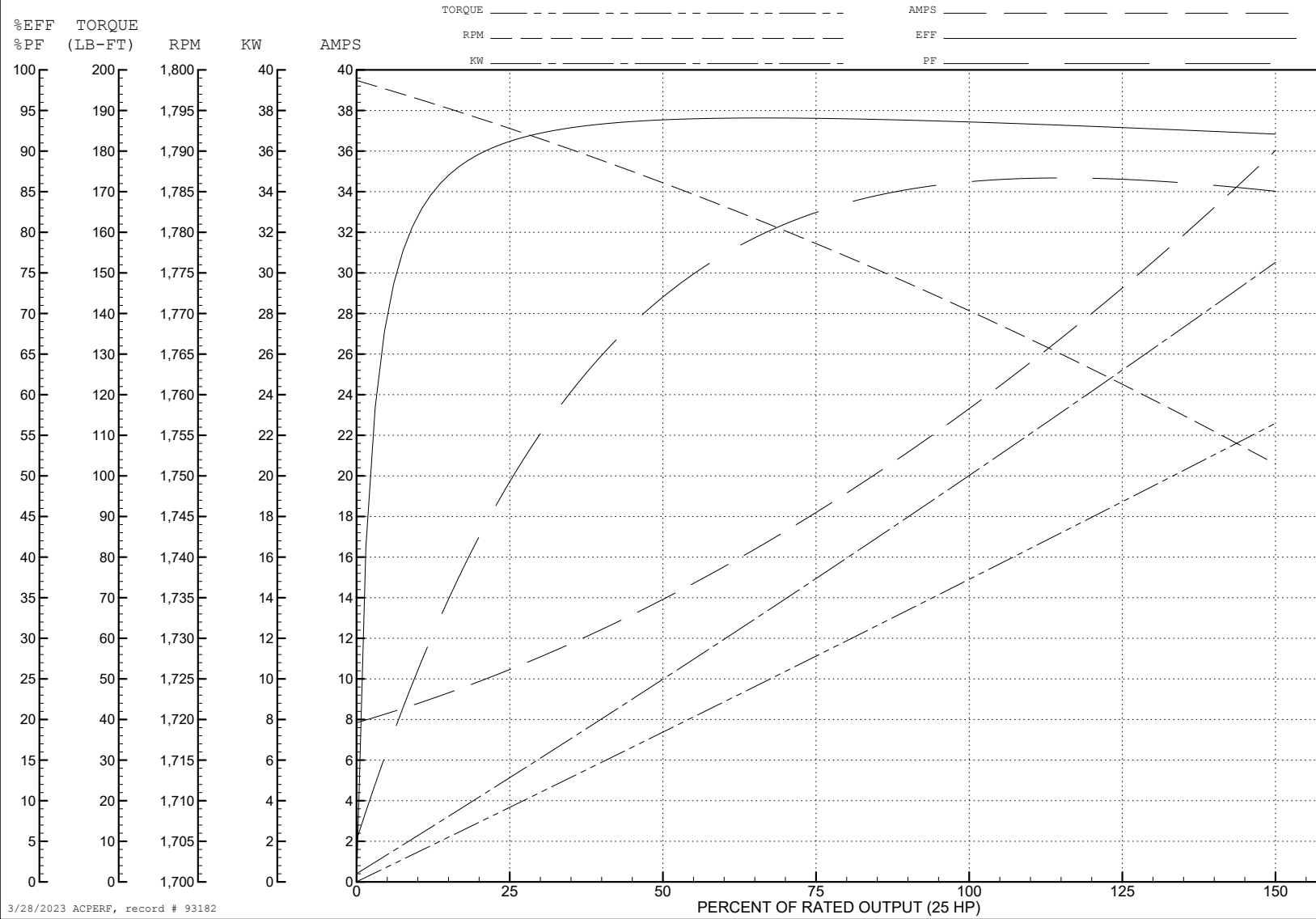
ABB Motors and Mechanical Inc.

WINDING # 10WGZ620

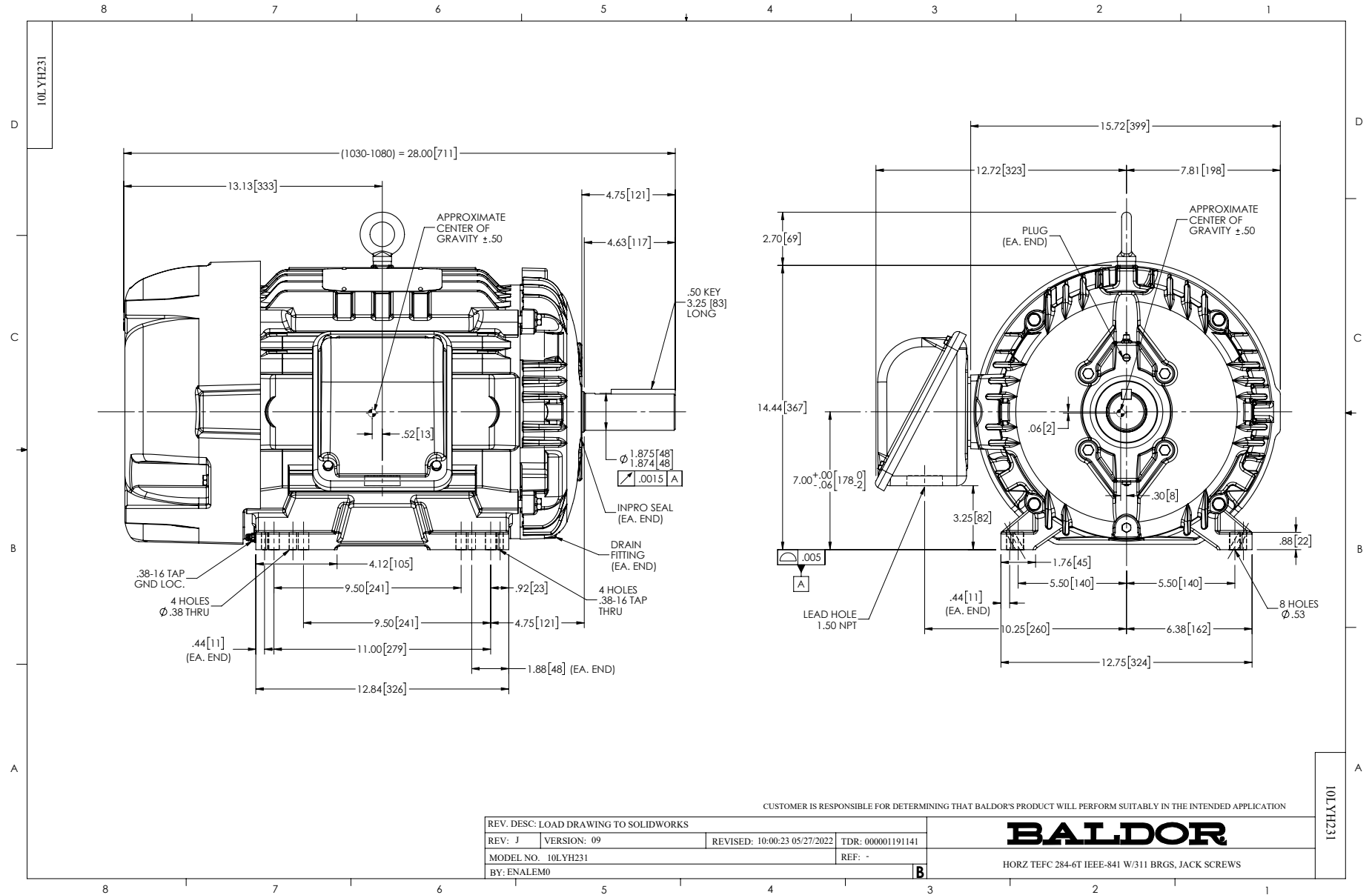
Typical performance - not guaranteed values.

25 HP 3 PH 60 HZ 1770 RPM 575 V 1056M

TORQUES (LB-FT): PO=196 PU=90.75 LR=114 LRA=146



3/28/2023 ACPERF, record # 93182



CD0006



NOTES:

1. THREE LEAD MOTOR MAY BE EITHER WYE CONNECTED OR DELTA CONNECTED.
2. INTERCHANGE ANY TWO LINE LEADS TO REVERSE ROTATION.
3. OPTIONAL THERMOSTATS ARE PROVIDED WHEN SPECIFIED.
4. ACTUAL NUMBER OF INTERNAL PARALLEL CIRCUITS MAY VARY.
5. LEAD COLORS ARE OPTIONAL. LEADS MUST BE NUMBERED AS SHOWN.

CD0006

REV. DESC: ADD CLASS CONN00000007		
REV. LTR: E	VERSION: 01	TDR: 000001099922
FILE: \AAA\00005\141	REVISED: 10:24:49 02/19/2019	BY: ENBRIRO
MTL: -	© □	

BALDOR - RELIANCE®

3PH, SV, 3 LEADS, WYE OR DELTA CONNECTED

SH 1 of 1