



---

# Customer information packet

## ECP83769T-5

7.5HP, 3510RPM, 3PH, 60HZ, 213T, 0730M, TEFC, F

Class - CLI GP A,B,C,D

Division - Division II

## Specifications

Enclosure	TEFC
Frame	213T
Frame Material	Iron
Frequency	60.00 Hz
Motor Letter Type	Three Phase
Output @ Frequency	7.500 HP @ 60 HZ
Phase	3
Synchronous Speed @ Frequency	3600 RPM @ 60 HZ
Voltage @ Frequency	575.0 V @ 60 HZ
XP Class and Group	CLIGP A,B,C,D
XP Division	Division II
Agency Approvals	CCSA US CSA EEV NEMA PREMIUM NEMA_PREMIUM UR
Ambient Temperature	40 °C
Auxillary Box	No Auxillary Box
Auxillary Box Lead Termination	None
Base Indicator	Rigid
Bearing Grease Type	Polyrex EM (-20F +300F)
Blower	None
Constant Torque Speed Range	6
Current @ Voltage	7.150 A @ 575.0 V
Design Code	B
Drip Cover	No Drip Cover
Duty Rating	CONT
Efficiency @ 100% Load	89.5 %
Electrically Isolated Bearing	Not Electrically Isolated
Feedback Device	NO FEEDBACK
Front Shaft Indicator	None
Heater Indicator	No Heater

## Part detail

Revision	B
Type	AC
Mech. spec.	07J415
Base	
Status	PRD/A
Elec. spec.	07WGT560
Layout	07LYJ415
Eff. date	01-30-2023
CD Diagram	CD0006
Poles	02
Leads	3#14
Proprietary	False
Created date	06-27-2022

High Voltage Full Load Amps	7.2 a
Insulation Class	F
Inverter Code	Inverter Duty
KVA Code	H
Lifting Lugs	Standard Lifting Lugs
Locked Bearing Indicator	Locked Bearing
Max Speed	5260 rpm
Motor Lead Quantity/Wire Size	3 @ 14 AWG
Motor Lead Termination	Flying Leads
Motor Standards	NEMA
Motor Type	0730M
Mounting Arrangement	F1
Number of Poles	2
Overall Length	19.50 IN
Power Factor	88
Product Family	Super-E Chemical Processing
Pulley End Bearing Type	Ball
Pulley Face Code	Standard
Pulley Shaft Indicator	Standard
Rodent Screen	None
RoHS Status	ROHS COMPLIANT
Service Factor	1.15
Shaft Diameter	1.375 IN
Shaft Ground Indicator	No Shaft Grounding
Shaft Rotation	Reversible
Shaft Slinger Indicator	No Slinger
Speed	3510 rpm
Speed Code	Single Speed
Starting Method	Direct on line
Thermal Device - Bearing	None
Thermal Device - Winding	None
Vibration Sensor Indicator	No Vibration Sensor
Winding Thermal 1	None
Winding Thermal 2	None

**XP Temp Code**

**T3A**

---

**Nameplate**

<b>NP3235</b>									
<b>CAT.NO.</b>	ECP83769T-5								
<b>SPEC.</b>	07J415T560G1								
<b>HP</b>	7.5 TE				<b>IP</b>	56			
<b>VOLTS</b>	575								
<b>AMPS</b>	7.15								
<b>R.P.M.</b>	3510								
<b>FRAME</b>	213T		<b>HZ</b>	60		<b>PH</b>	3		
<b>SER.F.</b>	1.15	<b>CODE</b>	H	<b>DES.</b>	B	<b>CLASS</b>	F		
<b>RATING</b>	40C AMB-CONT								
<b>SN</b>									
<b>DE</b>	6307		<b>ODE</b>	6206					
<b>NEMA NOM. EFF.</b>	89.5		<b>P.F.</b>	88					
<b>GUAR. MIN. EFF.</b>	87.5	<b>CC</b>	010A						
<b>T. CODE</b>	T3C		<b>TEMP=</b>	160					

**NP3186**

<b>SPEC.</b>	07J415T560G1		
<b>ABMA DE BRG</b>	35BC03XP30X		
<b>ABMA ODE BRG</b>	30BC02XP30X		
<b>GREASE</b>	POLYREX EM		
<b>MOTOR WEIGHT</b>	164	<b>ROTOR BARS</b>	28
		<b>STATOR BARS</b>	36
<b>MAX. R.P.M.</b>	5260	<b>MAX. KVAR</b>	0.35
<b>INV.TYPE</b>	PWM		
<b>T=</b>	180		
<b>CHP</b>	60	<b>TO</b>	90
<b>CT</b>	6	<b>TO</b>	60
<b>VT</b>	3	<b>TO</b>	60
<b>HTR-VOLTS</b>	N/A	<b>HTR-AMPS</b>	N/A
<b>HTR-WATTS</b>	N/A	<b>MAX. SPACE HEATER TEMP.</b>	N/A

**AC Induction Motor Performance Data**

Record # 95110

Typical performance - not guaranteed values

Winding: 07WGT560-R001		Type: 0730M	Enclosure: TEFC
<b>Nameplate Data</b>		<b>575 V, 60 Hz: Single Voltage Motor</b>	
Rated Output (HP)	7.5	Full Load Torque	11.24 LB-FT
Volts	575	Start Configuration	direct on line
Full Load Amps	6.9	Breakdown Torque	43.1 LB-FT
R.P.M.	3510	Pull-up Torque	11.4 LB-FT
Hz	60 Phase	Locked-rotor Torque	16 LB-FT
NEMA Design Code	B KVA Code	Starting Current	49 A
Service Factor (S.F.)	1.15	No-load Current	2.52 A
NEMA Nom. Eff.	91.7 Power Factor	Line-line Res. @ 25°C	2.73 Ω
Rating - Duty	40C AMB-CONT	Temp. Rise @ Rated Load	57°C
S.F. Amps		Temp. Rise @ S.F. Load	71°C
		Locked-rotor Power Factor	38.6
		Rotor inertia	0.273 lb-ft <sup>2</sup>

**Load Characteristics 575 V, 60 Hz, 7.5 HP**

% of Rated Load	25	50	75	100	125	150	S.F.
Power Factor	54	75	84	88	89	90	89
Efficiency	85	89.7	90.4	89.8	88.6	87	89.1
Speed	3578	3558	3535	3511	3485	3455	3495
Line amperes	3.04	4.15	5.55	7.15	8.87	10.79	8.18

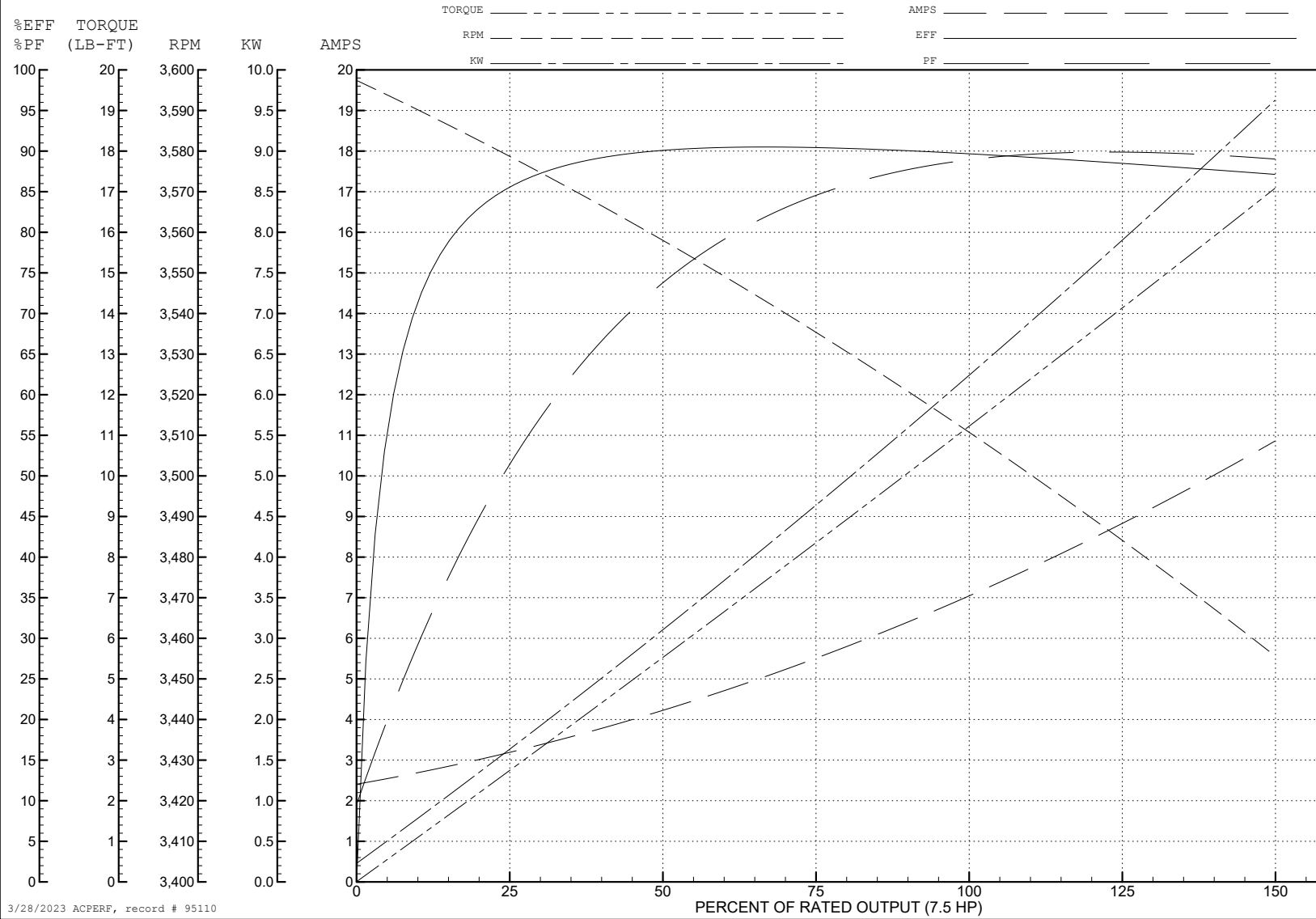
ABB Motors and Mechanical Inc.

WINDING # 07WGT560

7.5 HP 3 PH 60 HZ 3510 RPM 575 V 0730M

Typical performance - not guaranteed values.

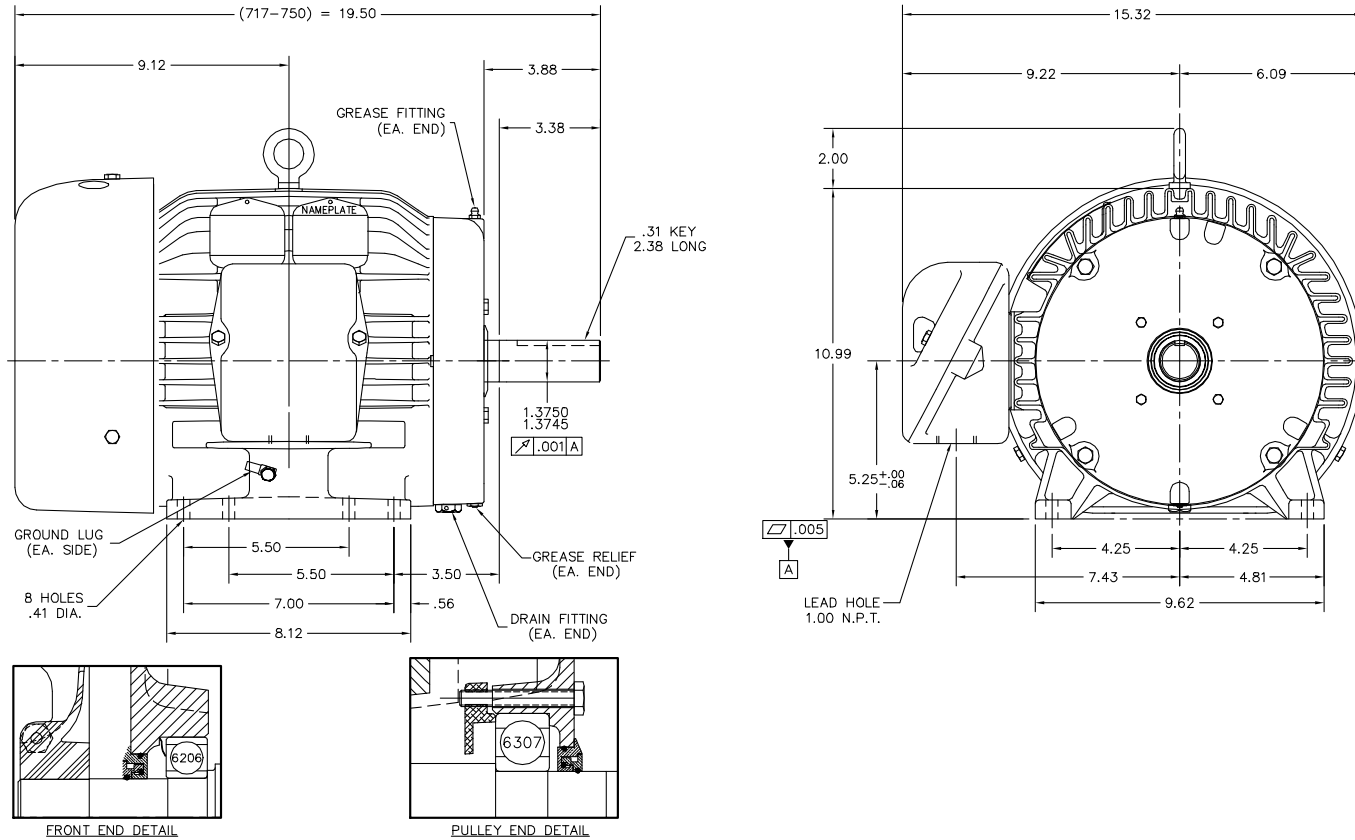
TORQUES (LB-FT): PO=43.1 PU=11.4 LR=16 LRA=49



3/28/2023 ACPERF, record # 95110



07LY0415



07LY0415

CUSTOMER IS RESPONSIBLE FOR DETERMINING THAT BALDOR'S PRODUCT WILL PERFORM SUITABLY IN THE INTENDED APPLICATION.

REV. DESC: MOVE FAN HOUSING TO CORRECT POSITION - UPDATE CLAS		
REV. LTR: C	VERSION: 02	TDR: 00000783076
FILE: \AAA\00084\407	REVISED: 01:10:44 01/25/2013	BY: ENCARJO
MTL: -		

**BALDOR**

HOR 213-5T TEFC 07M CP W/INPROS, SS DRAINS, FOOT FLAT, TIR  
SH 1 of 1

CD0006



NOTES:

1. THREE LEAD MOTOR MAY BE EITHER WYE CONNECTED OR DELTA CONNECTED.
2. INTERCHANGE ANY TWO LINE LEADS TO REVERSE ROTATION.
3. OPTIONAL THERMOSTATS ARE PROVIDED WHEN SPECIFIED.
4. ACTUAL NUMBER OF INTERNAL PARALLEL CIRCUITS MAY VARY.
5. LEAD COLORS ARE OPTIONAL. LEADS MUST BE NUMBERED AS SHOWN.

CD0006

REV. DESC: ADD CLASS CONN00000007		
REV. LTR: E	VERSION: 01	TDR: 000001099922
FILE: \AAA\00005\141	REVISED: 10:24:49 02/19/2019	BY: ENBRIRO
MTL: -	© □	

**BALDOR - RELIANCE®**

3PH, SV, 3 LEADS, WYE OR DELTA CONNECTED

SH 1 of 1