



Customer information packet

ECP83769T-4

7.5HP, 3510RPM, 3PH, 60HZ, 213T, 0730M, TEFC, F

Class - CLI GP A,B,C,D

Division - Division II

Specifications

Enclosure	TEFC
Frame	213T
Frame Material	Iron
Frequency	60.00 Hz
Haz Area Class and Group	CL I GP A,B,C,D
Haz Area Division	Division II
Motor Letter Type	Three Phase
Output @ Frequency	7.500 HP @ 60 HZ
Phase	3
Synchronous Speed @ Frequency	3600 RPM @ 60 HZ
Voltage @ Frequency	460.0 V @ 60 HZ
Agency Approvals	CCSA US CSA EEV NEMA PREMIUM NEMA_PREMIUM UR
Ambient Temperature	40 °C
Auxillary Box	No Auxillary Box
Auxillary Box Lead Termination	None
Base Indicator	Rigid
Bearing Grease Type	Polyrex EM (-20F +300F)
Blower	None
Constant Torque Speed Range	6
Current @ Voltage	8.900 A @ 460.0 V
Design Code	B
Drip Cover	No Drip Cover
Duty Rating	CONT
Efficiency @ 100% Load	89.5 %
Electrically Isolated Bearing	Not Electrically Isolated
Enclosure Modification	841
Feedback Device	NO FEEDBACK
Front Shaft Indicator	None

Part detail

Revision	R
Type	AC
Mech. spec.	07K629
Base	
Status	PRD/A
Elec. spec.	07WGZ107
Layout	07LYK629
Eff. date	07-16-2024
CD Diagram	CD0006
Poles	02
Leads	3#14
Proprietary	False
Created date	08-23-2018

Haz Area Temp Code	T3C
Heater Indicator	No Heater
High Voltage Full Load Amps	8.9 a
Insulation Class	F
Inverter Code	Inverter Duty
KVA Code	H
Lifting Lugs	Standard Lifting Lugs
Locked Bearing Indicator	Locked Bearing
Max Speed	5400 rpm
Motor Lead Quantity/Wire Size	3 @ 14 AWG
Motor Lead Termination	Flying Leads
Motor Standards	NEMA
Motor Type	0730M
Mounting Arrangement	F1
Number of Poles	2
Overall Length	19.50 IN
Power Factor	88
Product Family	Super-E Chemical Processing
Pulley End Bearing Type	Ball
Pulley Face Code	Standard
Pulley Shaft Indicator	Standard
Rodent Screen	None
RoHS Status	ROHS COMPLIANT
Service Factor	1.15
Shaft Diameter	1.375 IN
Shaft Ground Indicator	No Shaft Grounding
Shaft Rotation	Reversible
Shaft Slinger Indicator	Shaft Slinger
Speed	3510 rpm
Speed Code	Single Speed
Starting Method	Direct on line
Thermal Device - Bearing	None
Thermal Device - Winding	None
Vibration Sensor Indicator	No Vibration Sensor

Winding Thermal 1	None
Winding Thermal 2	None

Nameplate

NP4328

CAT.NO.	ECP83769T-4					
SPEC.	07K629Z107G1					
HP	7.5 TE	IP	56			
VOLTS	460					
AMPS	8.9					
R.P.M.	3510					
FRAME	213T	HZ	60	PH	3	
SER.F.	1.15	CODE	H	DES.	B	CLASS F
RATING	40C AMB-CONT					
SN						
DE	6307	ODE	6307			
NEMA NOM. EFF.	89.5	P.F.	88			
GUAR. MIN. EFF.	87.5	CC	010A			
T. CODE	T3C	TEMP=	160			

NP3186

SPEC.	07K629Z107G1		
ABMA DE BRG	35BC03X30X		
ABMA ODE BRG	35BC03X30X		
GREASE	POLYREX EM		
MOTOR WEIGHT	179	ROTOR BARS	28
		STATOR BARS	36
MAX. R.P.M.	5400	MAX. KVAR	.34
INV.TYPE	PWM		
T=	160		
CHP	60	TO	90
CT	6	TO	60
VT	3	TO	60
HTR-VOLTS	N/A	HTR-AMPS	N/A
HTR-WATTS		MAX. SPACE HEATER TEMP.	N/A

AC Induction Motor Performance Data

Record # 94950

Typical performance - not guaranteed values

Winding: 07WGZ107-R001		Type: 0730M		Enclosure: TEFC	
Nameplate Data			460 V, 60 Hz: Single Voltage Motor		
Rated Output (HP)	7.5	Full Load Torque	11.23 LB-FT		
Volts	460	Start Configuration	direct on line		
Full Load Amps	8.9	Breakdown Torque	42.9 LB-FT		
R.P.M.	3510	Pull-up Torque	11.4 LB-FT		
Hz	60	Locked-rotor Torque	16 LB-FT		
NEMA Design Code	Phase 3	Starting Current	61.2 A		
Service Factor (S.F.)	1.15	No-load Current	3.15 A		
NEMA Nom. Eff.	89.5	Line-line Res. @ 25°C	1.7875 Ω		
Rating - Duty	Power Factor 88	Temp. Rise @ Rated Load	57°C		
S.F. Amps	40C AMB-CONT	Temp. Rise @ S.F. Load	71°C		
		Locked-rotor Power Factor	38.9		

Load Characteristics 460 V, 60 Hz, 7.5 HP

% of Rated Load	25	50	75	100	125	150	S.F.
Power Factor	54	75	84	88	89	90	89
Efficiency	84.9	89.7	90.3	89.7	88.5	86.9	89
Speed	3577.7	3557.6	3535.4	3511.2	3484.4	3455	3495
Line amperes	3.8	5.18	6.93	8.93	11.1	13.5	10.2

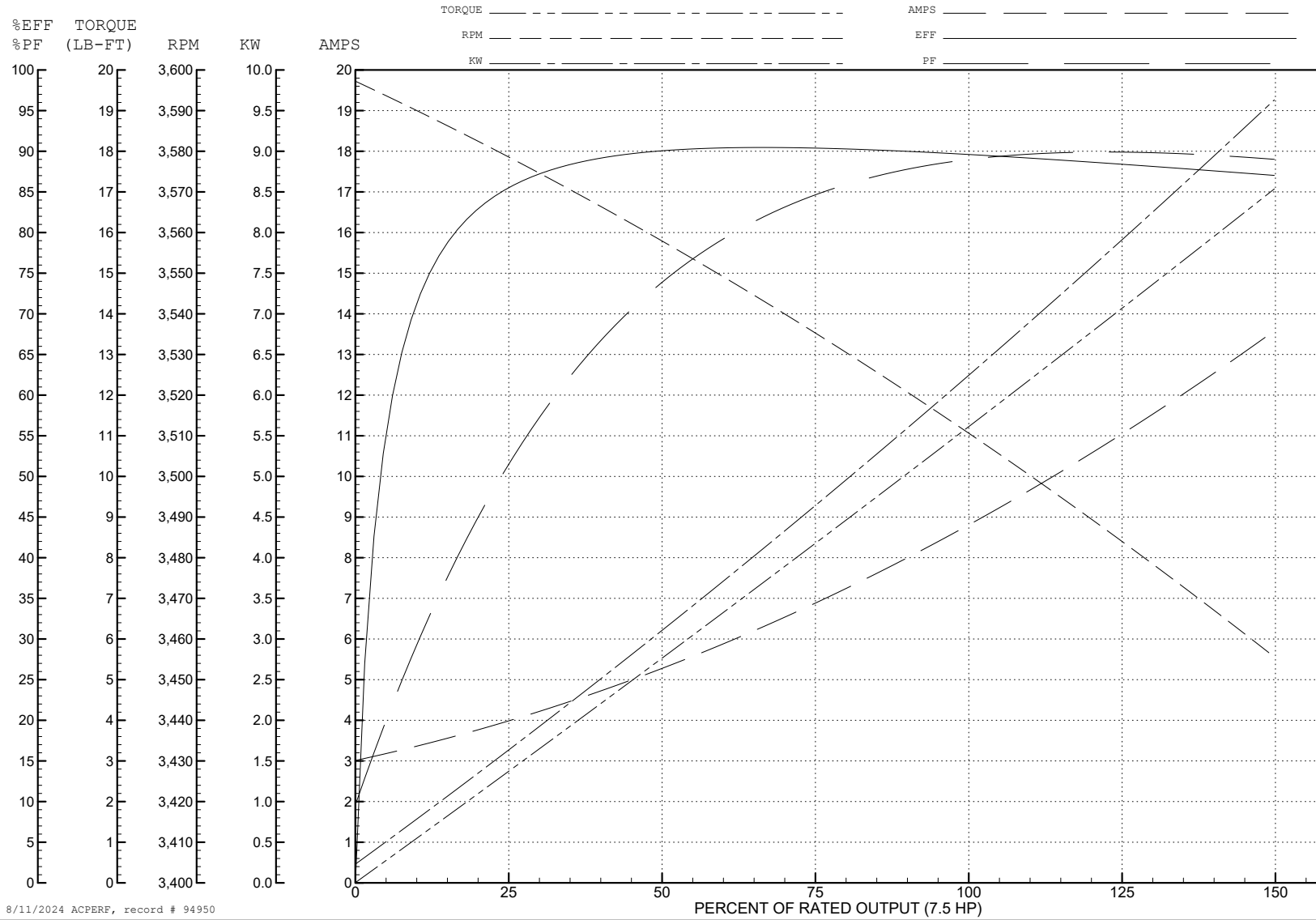
ABB Motors and Mechanical Inc.

WINDING # 07WGZ107

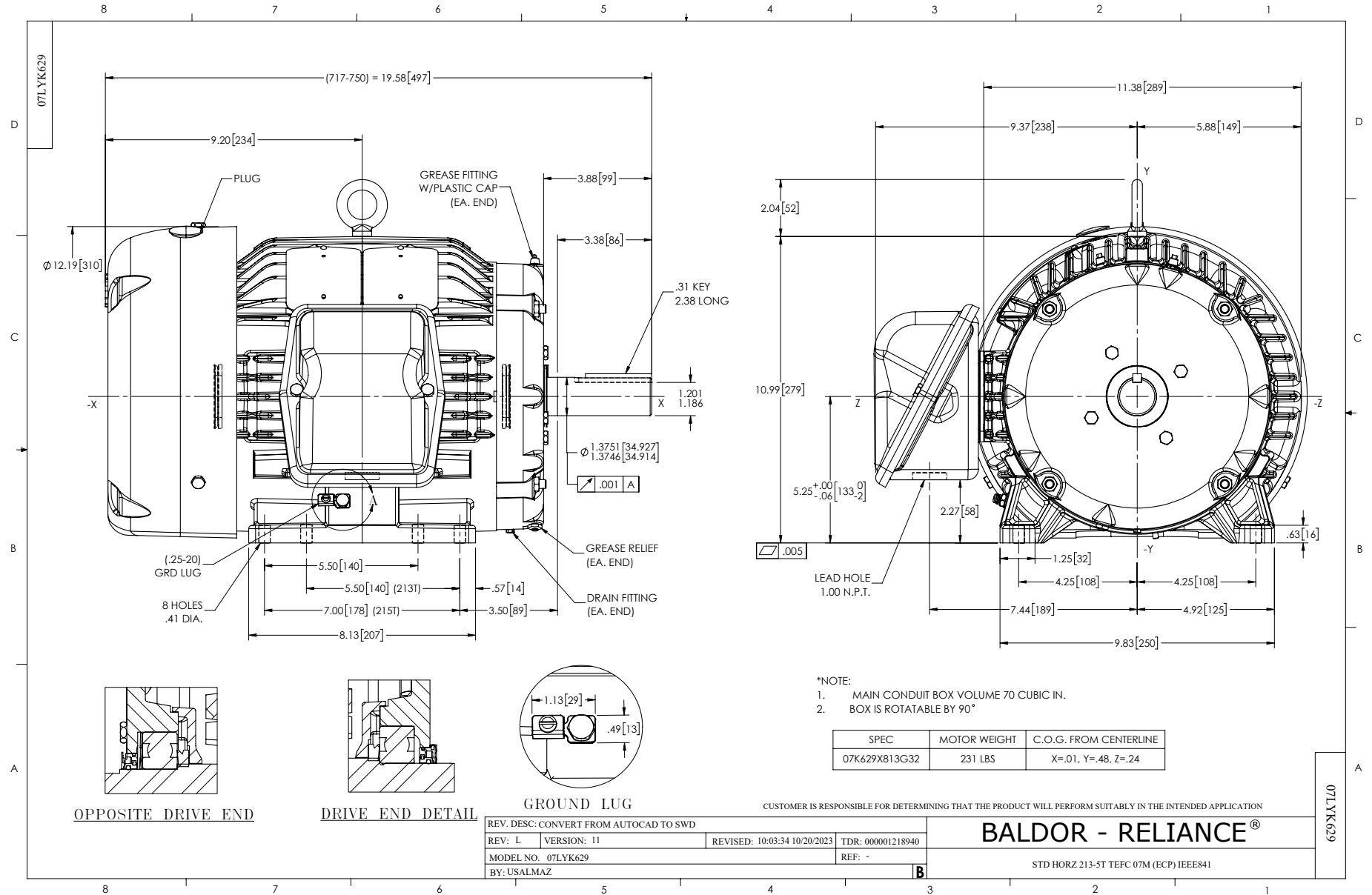
Typical performance - not guaranteed values.

7.5 HP 3 PH 60 HZ 3510 RPM 460 V 0730M

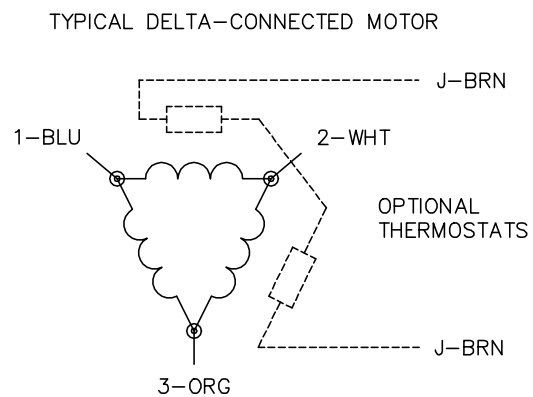
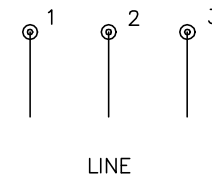
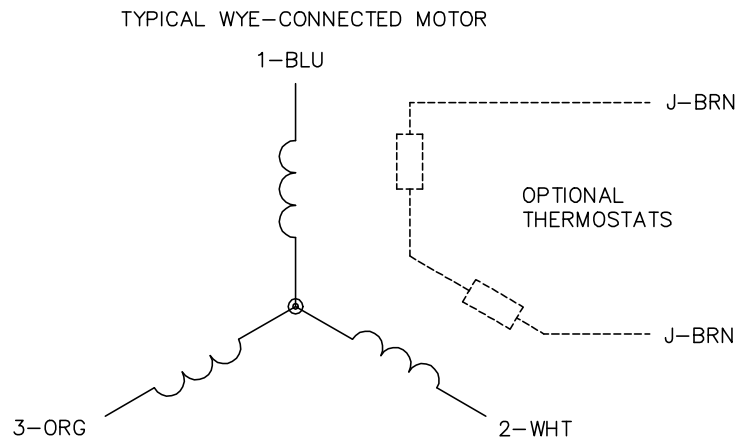
TORQUES (LB-FT): PO=42.9 PU=11.4 LR=16 LRA=61.2



8/11/2024 ACPERF, record # 94950



CD0006



NOTES:

1. THREE LEAD MOTOR MAY BE EITHER WYE CONNECTED OR DELTA CONNECTED.
2. INTERCHANGE ANY TWO LINE LEADS TO REVERSE ROTATION.
3. OPTIONAL THERMOSTATS ARE PROVIDED WHEN SPECIFIED.
4. ACTUAL NUMBER OF INTERNAL PARALLEL CIRCUITS MAY VARY.
5. LEAD COLORS ARE OPTIONAL. LEADS MUST BE NUMBERED AS SHOWN.

CD0006

REV. DESC: ADD CLASS CONN00000007		
REV. LTR: E	VERSION: 01	TDR: 000001099922
FILE: \AAA\00005\141	REVISED: 10:24:49 02/19/2019	BY: ENBRIRO
MTL: -	© □	

BALDOR - RELIANCE®

3PH, SV, 3 LEADS, WYE OR DELTA CONNECTED

SH 1 of 1