



Customer information packet

ECP83764T-4

3HP, 1165RPM, 3PH, 60HZ, 213T, 0736M, TEFC, F1

Class - CLI GP A,B,C,D

Division - Division II

Specifications

Enclosure	TEFC
Frame	213T
Frame Material	Iron
Frequency	60.00 Hz
Haz Area Class and Group	CL I GP A,B,C,D
Haz Area Division	Division II
Motor Letter Type	Three Phase
Output @ Frequency	3.000 HP @ 60 HZ
Phase	3
Synchronous Speed @ Frequency	1200 RPM @ 60 HZ
Voltage @ Frequency	460.0 V @ 60 HZ
Agency Approvals	CCSA US CSA CSA EEV NEMA PREMIUM NEMA_PREMIUM UR
Ambient Temperature	40 °C
Auxillary Box	No Auxillary Box
Auxillary Box Lead Termination	None
Base Indicator	Rigid
Bearing Grease Type	Polyrex EM (-20F +300F)
Blower	None
Constant Torque Speed Range	1.7
Current @ Voltage	4.500 A @ 460.0 V
Design Code	B
Drip Cover	No Drip Cover
Duty Rating	CONT
Efficiency @ 100% Load	89.5 %
Electrically Isolated Bearing	Not Electrically Isolated
Enclosure Modification	841
Feedback Device	NO FEEDBACK

Part detail

Revision	AQ
Type	AC
Mech. spec.	07K629
Base	
Status	PRD/A
Elec. spec.	07WGX816
Layout	07LYK629
Eff. date	07-18-2023
CD Diagram	CD0006
Poles	06
Leads	3#14
Proprietary	False
Created date	08-09-2006

Front Face Code	Standard
Front Shaft Indicator	None
Haz Area Temp Code	T3C
Heater Indicator	No Heater
High Voltage Full Load Amps	4.5 a
Insulation Class	F
Inverter Code	Inverter Duty
KVA Code	K
Lifting Lugs	Standard Lifting Lugs
Locked Bearing Indicator	Locked Bearing
Max Speed	1800 rpm
Motor Lead Exit	Ko Box
Motor Lead Quantity/Wire Size	3 @ 14 AWG
Motor Lead Termination	Flying Leads
Motor Standards	NEMA
Motor Type	0736M
Mounting Arrangement	F1
Number of Poles	6
Overall Length	19.50 IN
Power Factor	70
Product Family	Chem Process S/P 32-8 IEEE 841
Pulley End Bearing Type	Ball
Pulley Face Code	Standard
Pulley Shaft Indicator	Standard
Rodent Screen	None
Service Factor	1.15
Shaft Diameter	1.375 IN
Shaft Extension Location	Pulley End
Shaft Ground Indicator	No Shaft Grounding
Shaft Rotation	Reversible
Shaft Slinger Indicator	Shaft Slinger
Speed	1165 rpm
Speed Code	Single Speed
Starting Method	Direct on line

Thermal Device - Bearing	None
Thermal Device - Winding	None
Vibration Sensor Indicator	No Vibration Sensor
Winding Thermal 1	None
Winding Thermal 2	None

Nameplate

NP4328									
CAT.NO.	ECP83764T-4								
SPEC.	07K629X816								
HP	3 TE				IP	56			
VOLTS	460								
AMPS	4.5								
R.P.M.	1165								
FRAME	213T		HZ	60		PH	3		
SER.F.	1.15	CODE	K	DES.	B	CLASS	F		
RATING	40C AMB-CONT								
SN									
DE	6307	ODE	6307						
NEMA NOM. EFF.	89.5	P.F.	70						
GUAR. MIN. EFF.	87.5	CC	010A						
T. CODE	T3C	TEMP=	160						

NP3186

SPEC.	07K629X816		
ABMA DE BRG	35BC03X30X		
ABMA ODE BRG	35BC03X30X		
GREASE	POLYREX EM		
MOTOR WEIGHT	165	ROTOR BARS	27
		STATOR BARS	36
MAX. R.P.M.	1800	MAX. KVAR	1.34
INV.TYPE	PWM		
T=	160		
CHP	60	TO	90
CT	1.7	TO	60
VT	-0	TO	60
HTR-VOLTS	N/A	HTR-AMPS	N/A
HTR-WATTS		MAX. SPACE HEATER TEMP.	N/A

AC Induction Motor Performance Data

Record # 92665

Typical performance - not guaranteed values

Winding: 07WGX816-R019		Type: 0736M		Enclosure: TEFC	
Nameplate Data			460 V, 60 Hz: Single Voltage Motor		
Rated Output (HP)		3	Full Load Torque		13.5 LB-FT
Volts		460	Start Configuration		direct on line
Full Load Amps		4.5	Breakdown Torque		48.9 LB-FT
R.P.M.		1165	Pull-up Torque		23 LB-FT
Hz	60 Phase	3	Locked-rotor Torque		30 LB-FT
NEMA Design Code	B KVA Code	K	Starting Current		31.5 A
Service Factor (S.F.)		1.15	No-load Current		2.39 A
NEMA Nom. Eff.	89.5 Power Factor	70	Line-line Res. @ 25°C		2.67 Ω
Rating - Duty		40C AMB-CONT	Temp. Rise @ Rated Load		30°C
S.F. Amps			Temp. Rise @ S.F. Load		36°C
			Locked-rotor Power Factor		22.6
			Rotor inertia		0.895 lb-ft ²

Load Characteristics 460 V, 60 Hz, 3 HP

% of Rated Load	25	50	75	100	125	150	S.F.
Power Factor	34	53	64	70	74	75	72
Efficiency	82.2	88.3	89.3	89.8	88.7	87.5	89.3
Speed	1193	1186	1178	1170	1159	1148	1163
Line amperes	2.58	3.07	3.72	4.46	5.35	6.37	4.99

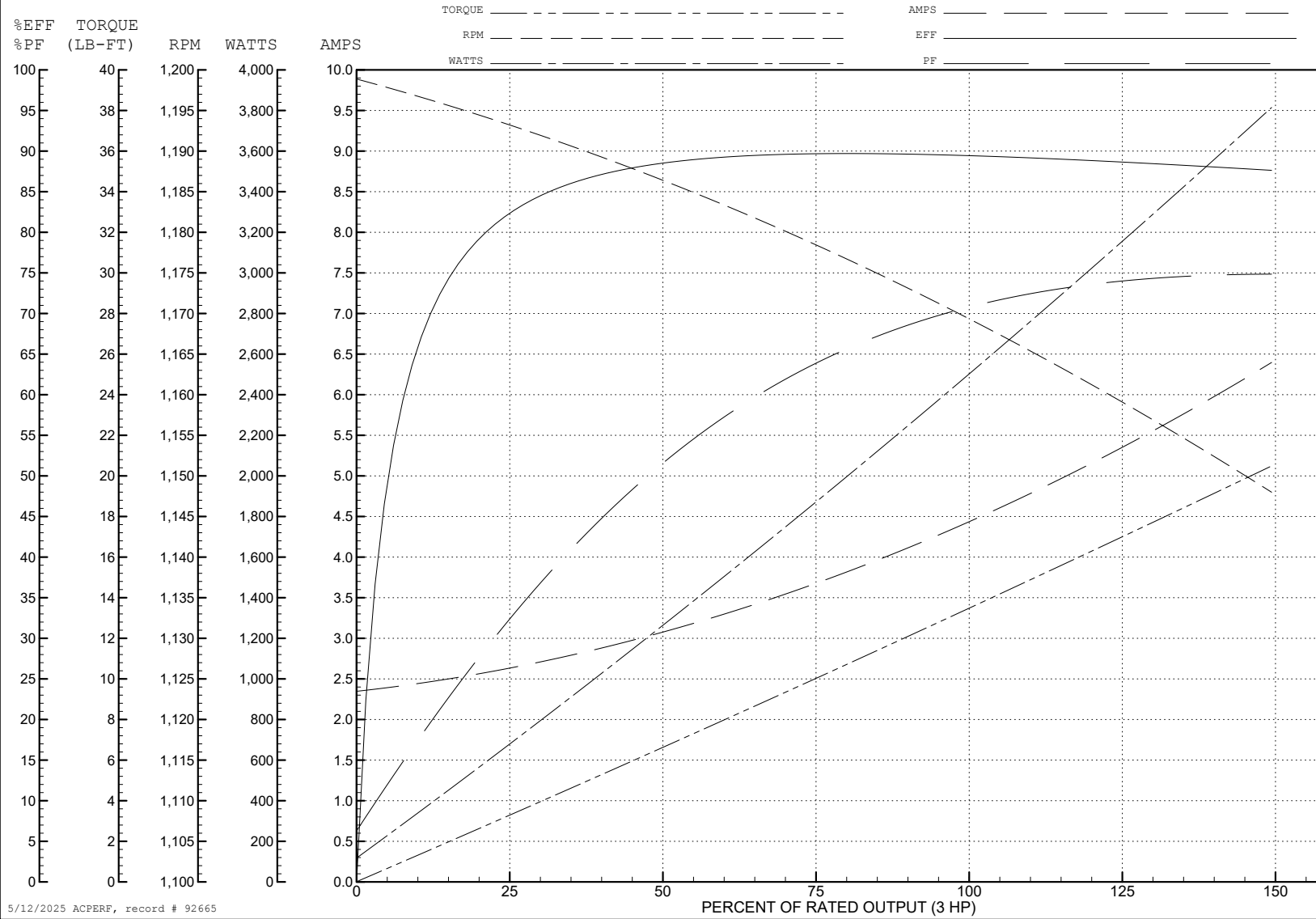
ABB Motors and Mechanical Inc.

WINDING # 07WGX816

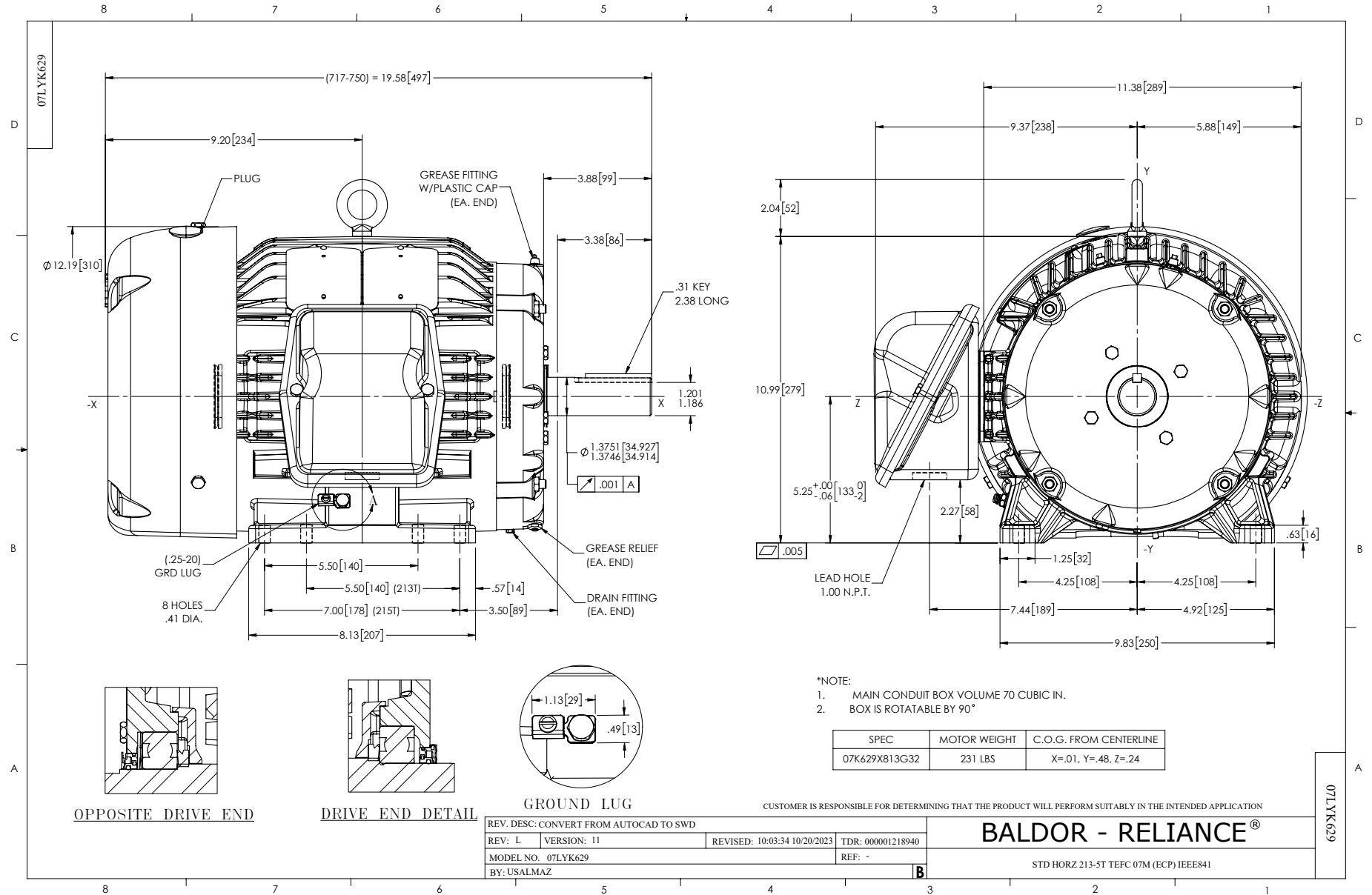
3 HP 3 PH 60 HZ 1165 RPM 460 V 0736M

Typical performance - not guaranteed values.

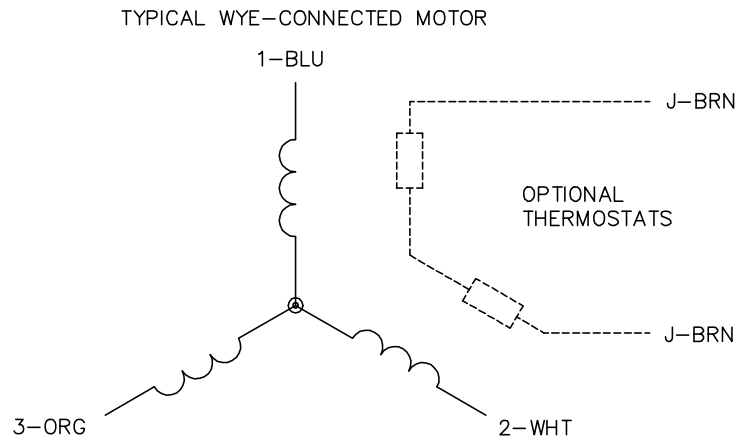
TORQUES (LB-FT): PO=48.9 PU=23 LR=30 LRA=31.5



5/12/2025 ACPERF, record # 92665



CD0006



NOTES:

1. THREE LEAD MOTOR MAY BE EITHER WYE CONNECTED OR DELTA CONNECTED.
2. INTERCHANGE ANY TWO LINE LEADS TO REVERSE ROTATION.
3. OPTIONAL THERMOSTATS ARE PROVIDED WHEN SPECIFIED.
4. ACTUAL NUMBER OF INTERNAL PARALLEL CIRCUITS MAY VARY.
5. LEAD COLORS ARE OPTIONAL. LEADS MUST BE NUMBERED AS SHOWN.

CD0006

REV. DESC: ADD CLASS CONN00000007		
REV. LTR: E	VERSION: 01	TDR: 000001099922
FILE: \AAA\00005\141	REVISED: 10:24:49 02/19/2019	BY: ENBRIRO
MTL: -	© □	

BALDOR - RELIANCE®

3PH, SV, 3 LEADS, WYE OR DELTA CONNECTED

SH 1 of 1