

ABB BALDOR RELIANCE III

Customer information packet

ECP83663T-4

5HP, 3440RPM, 3PH, 60HZ, 184T, 0643M, TEFC, F1

Class - CLI GP A,B,C,D

Division - Division II

Specifications

Enclosure	TEFC
Frame	184T
Frame Material	Iron
Frequency	60.00 Hz
Haz Area Class and Group	CLI GP A,B,C,D
Haz Area Division	Division II
Motor Letter Type	Three Phase
Output @ Frequency	5.000 HP @ 60 HZ
Phase	3
Synchronous Speed @ Frequency	3600 RPM @ 60 HZ
Voltage @ Frequency	460.0 V @ 60 HZ
Agency Approvals	CSA EEV NEMA PREMIUM NEMA_PREMIUM UR CCSA US
Ambient Temperature	40 °C
Auxiliary Box	NO AUXILLARY BOX
Auxiliary Box Lead Termination	None
Base Indicator	Rigid
Bearing Grease Type	Polyrex EM (-20F +300F)
Blower	None
Constant Torque Speed Range	6
Current @ Voltage	5.700 A @ 460.0 V
Design Code	B
Drip Cover	No Drip Cover
Duty Rating	CONT
Efficiency @ 100% Load	88.5 %
Electrically Isolated Bearing	Not Electrically Isolated
Feedback Device	NO FEEDBACK
Front Face Code	Standard
Front Shaft Indicator	None

Part Detail

Revision	T
Type	AC
Mech. spec.	06H759
Base	
Status	PRD/A
Elec. spec.	06WGX822
Layout	06LYH759
Eff. date	12-17-2025
CD Diagram	CD0006
Poles	02
Leads	3#16
Proprietary	False
Created date	10-03-2016

Haz Area Temp Code	T3C
Heater Indicator	No Heater
High Voltage Full Load Amps	5.7 a
Insulation Class	F
Inverter Code	Inverter Duty
KVA Code	J
Lifting Lugs	Standard Lifting Lugs
Locked Bearing Indicator	Locked Bearing
Max Speed	5400 rpm
Motor Lead Exit	Ko Box
Motor Lead Quantity/Wire Size	3 @ 16 AWG
Motor Lead Termination	Ring Terminals
Motor Standards	NEMA
Motor Type	0642M
Mounting Arrangement	F1
Number of Poles	2
Overall Length	15.93 IN
Power Factor	94
Product Family	Chem Process S/P 32-8 IEEE 841
Pulley End Bearing Type	Ball
Pulley Face Code	Standard
Pulley Shaft Indicator	Standard
Rodent Screen	None
RoHS Status	ROHS COMPLIANT
Service Factor	1.15
Shaft Diameter	1.125 IN
Shaft Extension Location	Pulley End
Shaft Ground Indicator	No Shaft Grounding
Shaft Rotation	Reversible
Shaft Slinger Indicator	Shaft Slinger
Speed	3440 rpm
Speed Code	Single Speed
Starting Method	Direct on line
Thermal Device - Bearing	None

Thermal Device - Winding	None
Vibration Sensor Indicator	No Vibration Sensor
Winding Thermal 1	None
Winding Thermal 2	None

Nameplate

NP4328									
CAT.NO.	ECP83663T-4								
SPEC.	06H759X822G1								
HP	5 TE			IP	56				
VOLTS	460								
AMPS	5.7								
R.P.M.	3440								
FRAME	184T		HZ	60		PH	3		
SER.F.	1.15	CODE	J	DES.	B	CLASS	F		
RATING	40C AMB-CONT								
SN									
DE	6206		ODE	6206					
NEMA NOM. EFF.	88.5		P.F.	94					
GUAR. MIN. EFF.	86.5	CC	010A						
T. CODE	T3C	TEMP=	160						

NP3186

SPEC.	06H759X822G1		
ABMA DE BRG	30BC02X30X		
ABMA ODE BRG	30BC02X30X		
GREASE	POLYREX EM		
MOTOR WEIGHT	132	ROTOR BARS	28
		STATOR BARS	36
MAX. R.P.M.	5400	MAX. KVAR	0.15
INV.TYPE	PWM		
T=	160		
CHP	60	TO	90
CT	6	TO	60
VT	2.7	TO	60
HTR-VOLTS	N/A	HTR-AMPS	N/A
HTR-WATTS	N/A	MAX. SPACE HEATER TEMP.	N/A

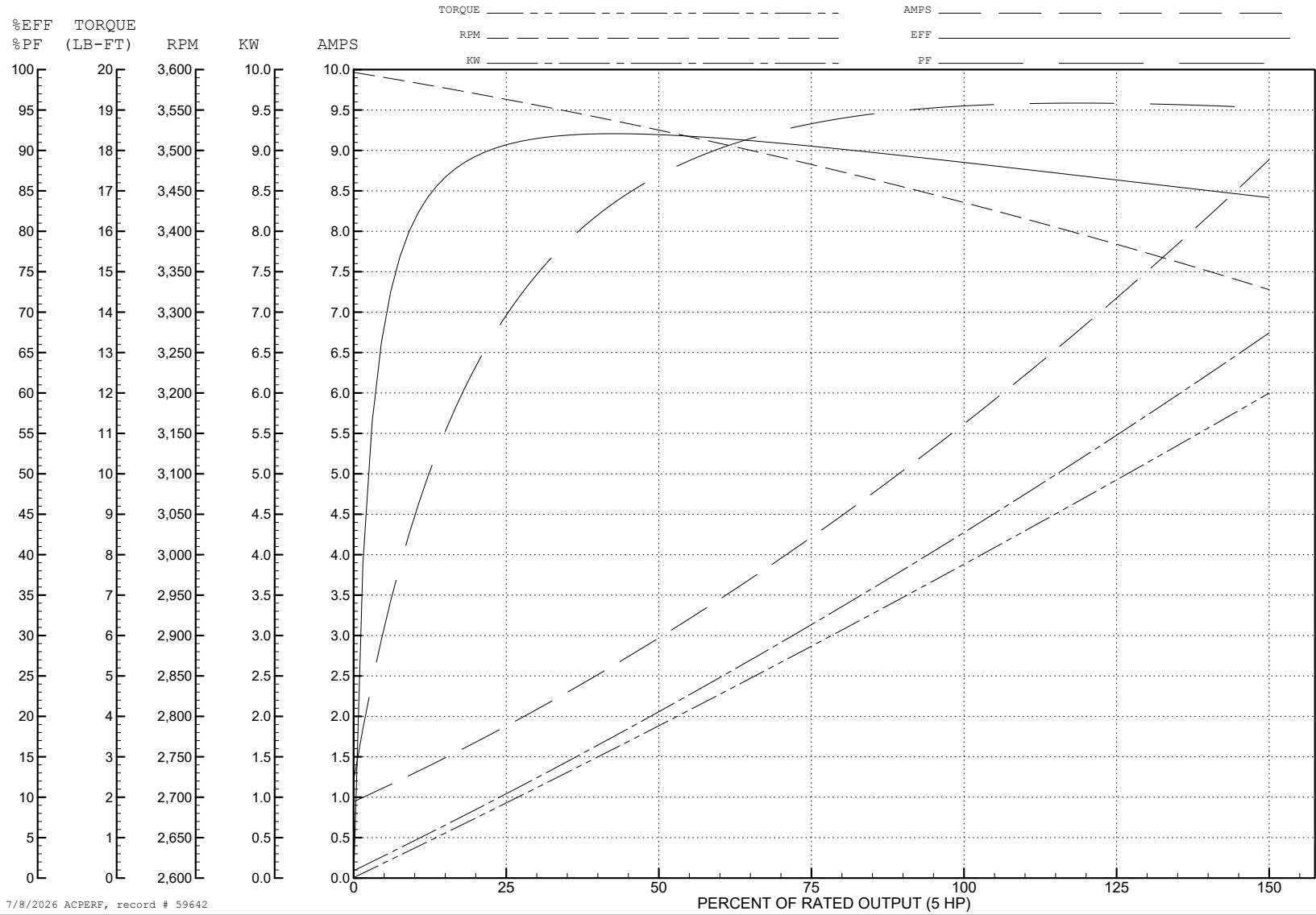
ABB Motors and Mechanical Inc.

WINDING # 06WGX822

Typical performance - not guaranteed values.

5 HP 3 PH 60 HZ 3440 RPM 460 V 0642M

TORQUES (LB-FT): PO=33.5 PU=13.4 LR=22.9 LRA=45.4



7/8/2026 ACPERF, record # 59642

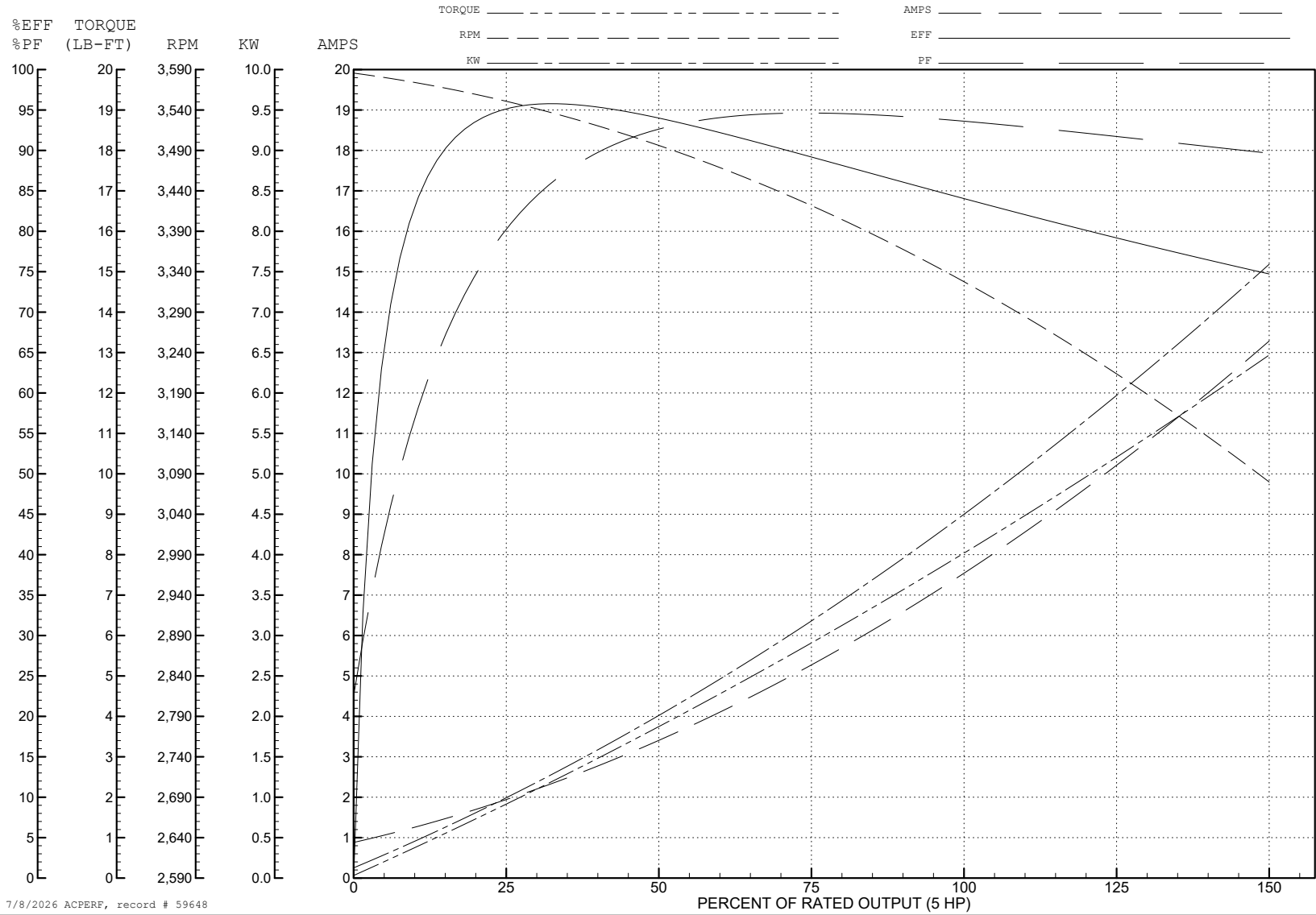
ABB Motors and Mechanical Inc.

WINDING # 06WGX822

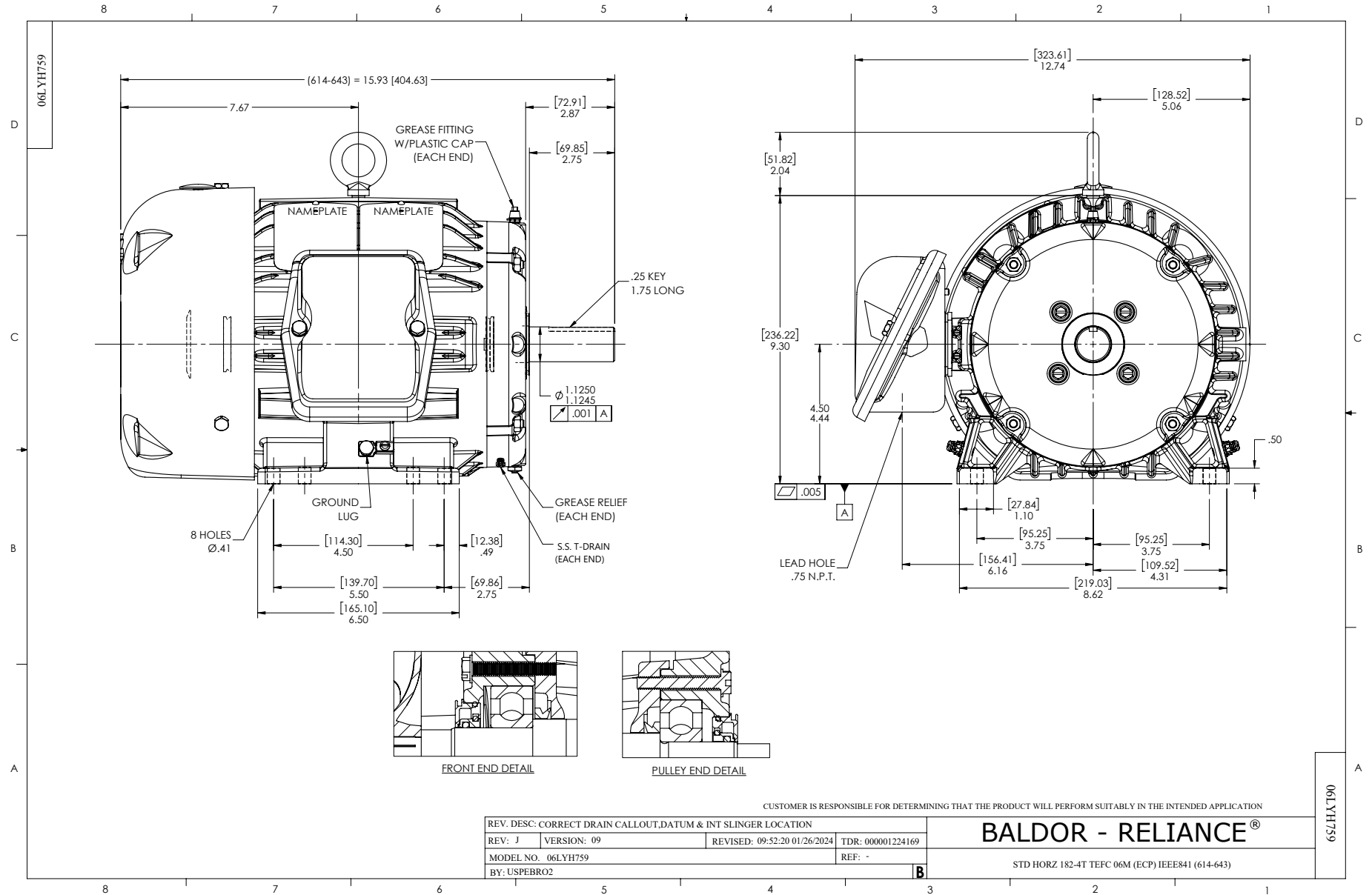
Typical performance - not guaranteed values.

5 HP 3 PH 60 HZ 3440 RPM 368 V 0642M

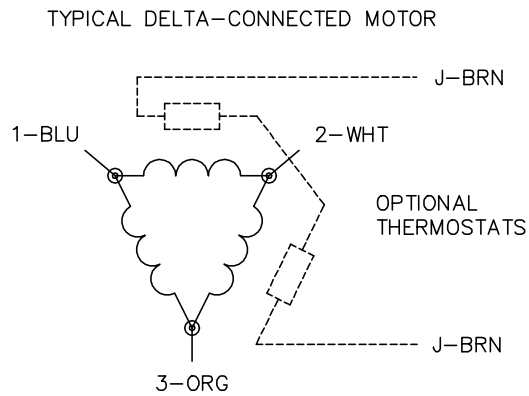
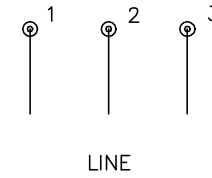
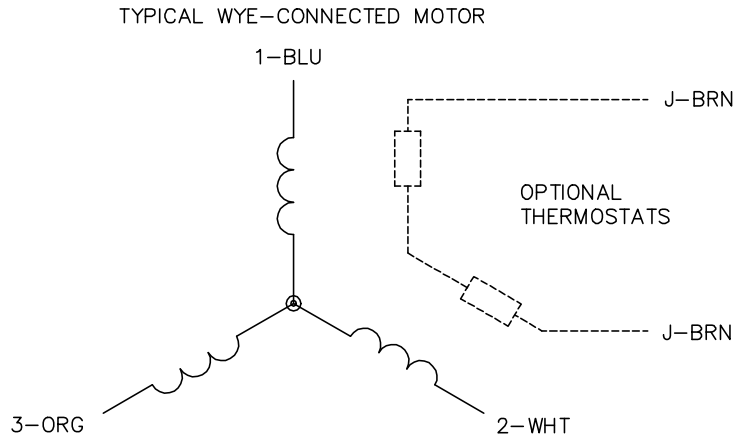
TORQUES (LB-FT): PO=21.34 PU=8.58 LR=14.61 LRA=36.32



7/8/2026 ACPERF, record # 59648



CD0006



NOTES:

1. THREE LEAD MOTOR MAY BE EITHER WYE CONNECTED OR DELTA CONNECTED.
2. INTERCHANGE ANY TWO LINE LEADS TO REVERSE ROTATION.
3. OPTIONAL THERMOSTATS ARE PROVIDED WHEN SPECIFIED.
4. ACTUAL NUMBER OF INTERNAL PARALLEL CIRCUITS MAY VARY.
5. LEAD COLORS ARE OPTIONAL. LEADS MUST BE NUMBERED AS SHOWN.

CD0006

REV. DESC: ADD CLASS CONN00000007		
REV. LTR: E	VERSION: 01	TDR: 000001099922
FILE: \AAA\00005\141	REVISED: 10:24:49 02/19/2019	BY: ENBRIRO
MTL: -	© □	

BALDOR - RELIANCE®

3PH, SV, 3 LEADS, WYE OR DELTA CONNECTED

SH 1 of 1