



Customer information packet

ECP83586T-5

2HP, 3490RPM, 3PH, 60HZ, 143T, 0526M, TEFC, F1

Class - CLI GP A,B,C,D

Division - Division II

Specifications

Enclosure	TEFC
Frame	145T
Frame Material	Iron
Frequency	60.00 Hz
Motor Letter Type	Three Phase
Output @ Frequency	2.000 HP @ 60 HZ
Phase	3
Synchronous Speed @ Frequency	3600 RPM @ 60 HZ
Voltage @ Frequency	575.0 V @ 60 HZ
XP Class and Group	CL I GP A,B,C,D
XP Division	Division II
Agency Approvals	CSA CSA EEV UR
Ambient Temperature	40 °C
Auxillary Box	No Auxillary Box
Auxillary Box Lead Termination	None
Base Indicator	Rigid
Bearing Grease Type	Polyrex EM (-20F +300F)
Blower	None
Constant Torque Speed Range	6
Current @ Voltage	2.000 A @ 575.0 V
Design Code	B
Drip Cover	No Drip Cover
Duty Rating	CONT
Efficiency @ 100% Load	85.5 %
Electrically Isolated Bearing	Not Electrically Isolated
Enclosure Modification	841
Feedback Device	NO FEEDBACK
Front Face Code	Standard
Front Shaft Indicator	None
Heater Indicator	No Heater

Part detail

Revision	S
Type	AC
Mech. spec.	05E811
Base	
Status	PRD/A
Elec. spec.	05WGX118
Layout	05LYE811
Eff. date	07-01-2022
CD Diagram	CD0006
Poles	02
Leads	3#18 15" LEAD LENGTH,0#0 Dbl Dip & Bake,0#0 Phase InsulaY
Proprietary	False
Created date	07-05-2016

High Voltage Full Load Amps	2.0 a
Insulation Class	F
Inverter Code	Inverter Ready
KVA Code	M
Lifting Lugs	Standard Lifting Lugs
Locked Bearing Indicator	Locked Bearing
Motor Lead Exit	Ko Box
Motor Lead Quantity/Wire Size	@ 0 AWG 3 @ 18 AWG
Motor Lead Termination	Flying Leads
Motor Standards	NEMA
Motor Type	0526M
Mounting Arrangement	F1
Number of Poles	2
Overall Length	12.88 IN
Power Factor	88
Product Family	Chem Process S/P 32-8 IEEE 841
Pulley End Bearing Type	Ball
Pulley Face Code	Standard
Pulley Shaft Indicator	Standard
Rodent Screen	None
RoHS Status	ROHS COMPLIANT
Service Factor	1.15
Shaft Diameter	0.875 IN
Shaft Extension Location	Pulley End
Shaft Ground Indicator	No Shaft Grounding
Shaft Rotation	Reversible
Shaft Slinger Indicator	Shaft Slinger
Speed	3490 rpm
Speed Code	Single Speed
Starting Method	Direct on line
Thermal Device - Bearing	None
Thermal Device - Winding	None
Vibration Sensor Indicator	No Vibration Sensor

Winding Thermal 1	None
Winding Thermal 2	None
XP Temp Code	T4

Nameplate

NP4328									
CAT.NO.	ECP83586T-5								
SPEC.	05E811X118G1								
HP	2 TE					IP	56		
VOLTS	575								
AMPS	2								
R.P.M.	3490								
FRAME	145T		HZ	60		PH	3		
SER.F.	1.15	CODE	M	DES.	B	CLASS	F		
RATING	40C AMB-CONT								
SN									
DE	6205		ODE	6205					
NEMA NOM. EFF.	85.5		P.F.	88					
GUAR. MIN. EFF.	82.5	CC	010A						
T. CODE	T4		TEMP=	135					

NP3186

SPEC.	05E811X118G1		
ABMA DE BRG	25BC02X30X		
ABMA ODE BRG	25BC02X30X		
GREASE	POLYREX EM		
MOTOR WEIGHT	79	ROTOR BARS	20
		STATOR BARS	24
MAX. R.P.M.		MAX. KVAR	0.1
	1.15 SF SINEWAVE		
INV.TYPE	PWM		
T=	135		
CHP	60	TO	90
CT	1.8	TO	60
VT	-0	TO	60
HTR-VOLTS	N/A	HTR-AMPS	N/A
HTR-WATTS	N/A	MAX. SPACE HEATER TEMP.	N/A

AC Induction Motor Performance Data

Record # 92394

Typical performance - not guaranteed values

Winding: 05WGX118-R001		Type: 0526M		Enclosure: TEFC	
Nameplate Data			575 V, 60 Hz: Single Voltage Motor		
Rated Output (HP)	2	Full Load Torque	2.98 LB-FT		
Volts	575	Start Configuration	direct on line		
Full Load Amps	2	Breakdown Torque	14.4 LB-FT		
R.P.M.	3490	Pull-up Torque	6.42 LB-FT		
Hz	60 Phase	Locked-rotor Torque	11.4 LB-FT		
NEMA Design Code	B KVA Code	Starting Current	21 A		
Service Factor (S.F.)	1.15	No-load Current	0.745 A		
NEMA Nom. Eff.	85.5 Power Factor	Line-line Res. @ 25°C	10.7 Ω		
Rating - Duty	40C AMB-CONT	Temp. Rise @ Rated Load	44°C		
S.F. Amps		Temp. Rise @ S.F. Load	52°C		
		Locked-rotor Power Factor	50.1		
		Rotor inertia	0.0719 lb-ft ²		

Load Characteristics 575 V, 60 Hz, 2 HP

% of Rated Load	25	50	75	100	125	150	S.F.
Power Factor	54	74	84	88	90	91	89
Efficiency	73.2	83.6	85.5	86.3	85.7	84.7	85.9
Speed	3572	3547	3521	3493	3463	3428	3475
Line amperes	0.895	1.19	1.55	1.96	2.4	2.89	2.22

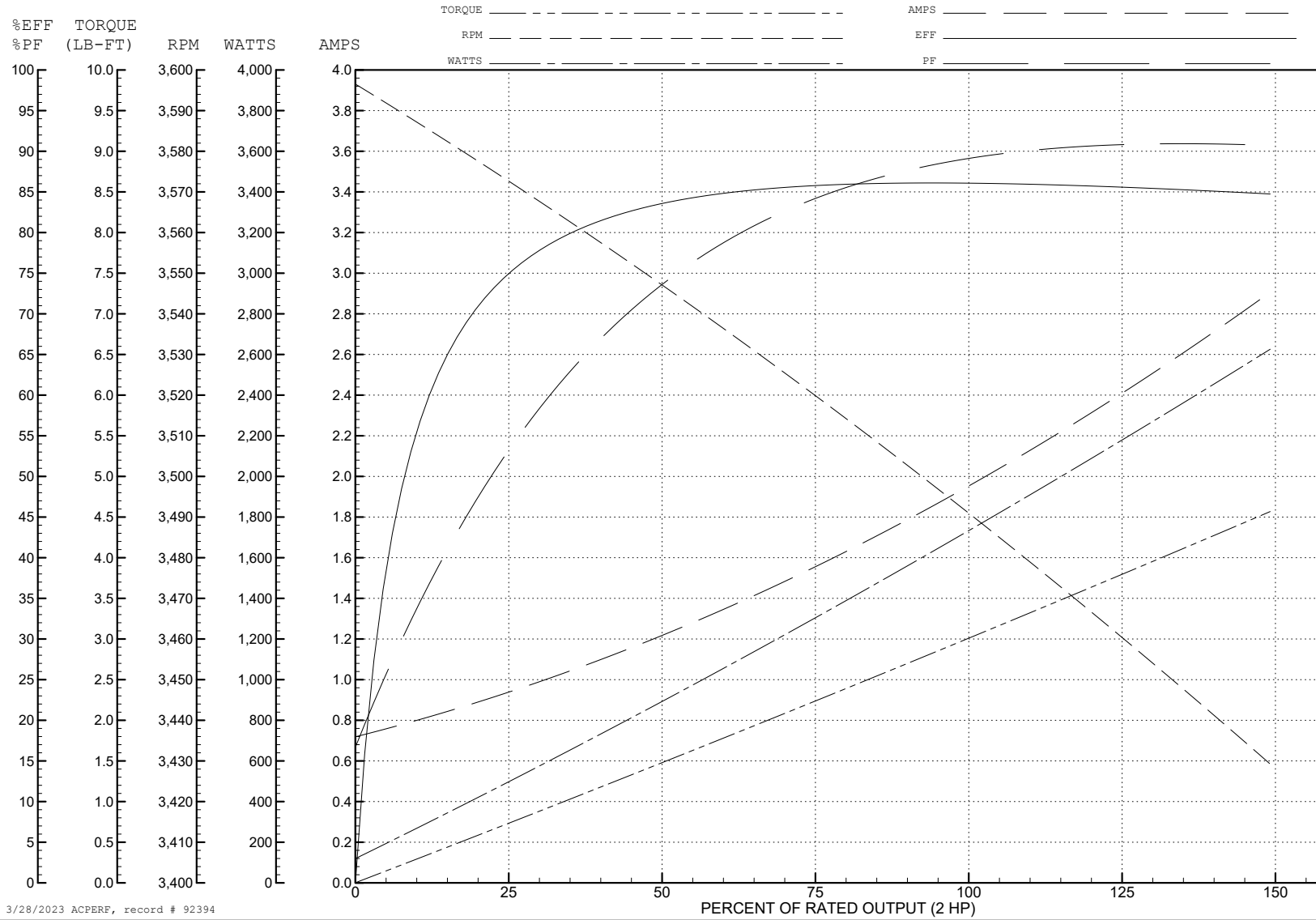
ABB Motors and Mechanical Inc.

WINDING # 05WGX118

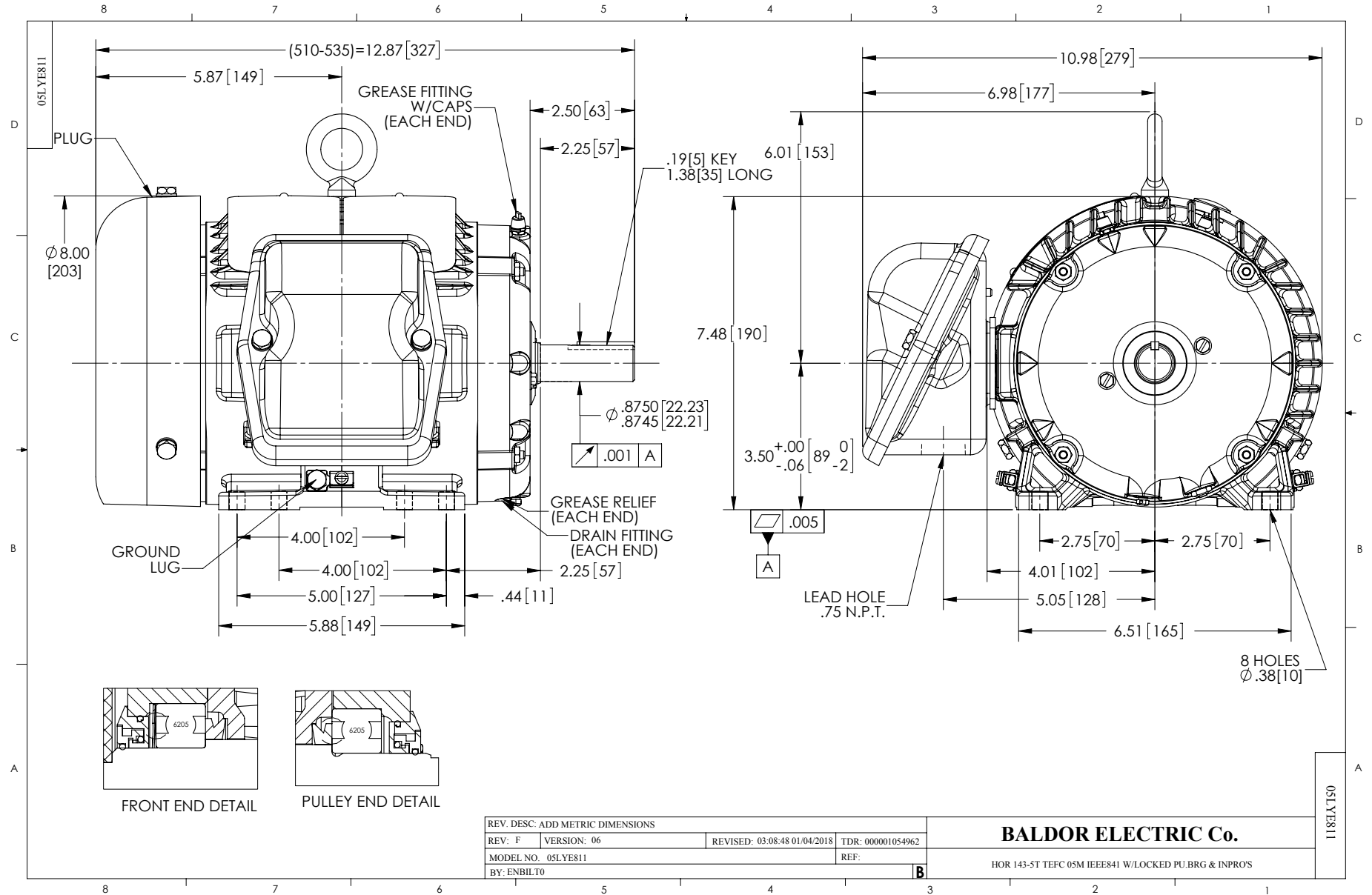
Typical performance - not guaranteed values.

2 HP 3 PH 60 HZ 3490 RPM 575 V 0526M

TORQUES (LB-FT): PO=14.4 PU=6.42 LR=11.4 LRA=21



3/28/2023 ACPERF, record # 92394



CD0006



NOTES:

1. THREE LEAD MOTOR MAY BE EITHER WYE CONNECTED OR DELTA CONNECTED.
2. INTERCHANGE ANY TWO LINE LEADS TO REVERSE ROTATION.
3. OPTIONAL THERMOSTATS ARE PROVIDED WHEN SPECIFIED.
4. ACTUAL NUMBER OF INTERNAL PARALLEL CIRCUITS MAY VARY.
5. LEAD COLORS ARE OPTIONAL. LEADS MUST BE NUMBERED AS SHOWN.

CD0006

REV. DESC: ADD CLASS CONN00000007		
REV. LTR: E	VERSION: 01	TDR: 000001099922
FILE: \AAA\00005\141	REVISED: 10:24:49 02/19/2019	BY: ENBRIRO
MTL: -		© □

BALDOR - RELIANCE®

3PH, SV, 3 LEADS, WYE OR DELTA CONNECTED

SH 1 of 1