



Customer information packet

ECP83584T-4

1.5HP, 1770RPM, 3PH, 60HZ, 145T, 0524M, TEFC, F
Class - CLI GP A,B,C,D
Division - Division II

Specifications

Enclosure	TEFC
Frame	145T
Frame Material	Iron
Frequency	60.00 Hz
Motor Letter Type	Three Phase
Output @ Frequency	1.500 HP @ 60 HZ
Phase	3
Synchronous Speed @ Frequency	1800 RPM @ 60 HZ
Voltage @ Frequency	460.0 V @ 60 HZ
XP Class and Group	CL I GP A,B,C,D
XP Division	Division II
Agency Approvals	CCSA US UR NEMA_PREMIUM NEMA PREMIUM CSA EEV
Ambient Temperature	40 °C
Auxillary Box	No Auxillary Box
Auxillary Box Lead Termination	None
Base Indicator	Rigid
Bearing Grease Type	Polyrex EM (-20F +300F)
Blower	None
Current @ Voltage	2.300 A @ 460.0 V
Design Code	B
Drip Cover	No Drip Cover
Duty Rating	CONT
Efficiency @ 100% Load	86.5 %
Electrically Isolated Bearing	Not Electrically Isolated
Feedback Device	NO FEEDBACK
Front Shaft Indicator	None
Heater Indicator	No Heater
High Voltage Full Load Amps	2.3 a

Part detail

Revision	A
Type	AC
Mech. spec.	05E811
Base	
Status	PRD/A
Elec. spec.	05WGX557
Layout	05LYE811
Eff. date	02-20-2023
CD Diagram	CD0006
Poles	04
Leads	3#18
Proprietary	False
Created date	03-11-2022

Insulation Class	F
Inverter Code	Inverter Ready
KVA Code	M
Lifting Lugs	Standard Lifting Lugs
Locked Bearing Indicator	Locked Bearing
Max Speed	2700 rpm
Motor Lead Quantity/Wire Size	3 @ 18 AWG
Motor Lead Termination	Flying Leads
Motor Standards	NEMA
Motor Type	0524M
Mounting Arrangement	F1
Number of Poles	4
Overall Length	12.87 IN
Power Factor	72
Product Family	Chem Process S/P 32-8 IEEE 841
Pulley End Bearing Type	Ball
Pulley Face Code	Standard
Pulley Shaft Indicator	Standard
Rodent Screen	None
Service Factor	1.15
Shaft Diameter	0.875 IN
Shaft Ground Indicator	No Shaft Grounding
Shaft Rotation	Reversible
Shaft Slinger Indicator	Shaft Slinger
Speed	1770 rpm
Speed Code	Single Speed
Starting Method	Direct on line
Thermal Device - Bearing	None
Thermal Device - Winding	None
Vibration Sensor Indicator	No Vibration Sensor
Winding Thermal 1	None
Winding Thermal 2	None

Nameplate

NP4328

CAT.NO.	ECP83584T-4				
SPEC.	05E811X557G1				
HP	1.5 TE	IP	56		
VOLTS	460				
AMPS	2.3				
R.P.M.	1770				
FRAME	145T	HZ	60	PH	3
SER.F.	1.15	CODE	M	DES.	B
RATING	40C AMB-CONT				
SN					
DE	6205	ODE	6205		
NEMA NOM. EFF.	86.5	P.F.	72		
GUAR. MIN. EFF.	84	CC	010A		
T. CODE	T4	TEMP=	135		

NP3186

SPEC.	05E811X557G1		
ABMA DE BRG	25BC02X30X		
ABMA ODE BRG	25BC02X30X		
GREASE	POLYREX EM		
MOTOR WEIGHT	72	ROTOR BARS	27
		STATOR BARS	36
MAX. R.P.M.	2700	MAX. KVAR	0.63
	SFA 2.3		
INV.TYPE			
T=	135		
CHP	60	TO	90
CT	1.3	TO	60
VT	-0	TO	60
HTR-VOLTS		HTR-AMPS	
HTR-WATTS		MAX. SPACE HEATER TEMP.	

AC Induction Motor Performance Data

Record # 84195

Typical performance - not guaranteed values

Winding: 05WGY060-R001		Type: 0528M		Enclosure: TEFC			
Nameplate Data			460 V, 60 Hz: Single Voltage Motor				
Rated Output (HP)	1.5	Full Load Torque	4.483 LB-FT				
Volts	460	Start Configuration	direct on line				
Full Load Amps	2.1	Breakdown Torque	17.7 LB-FT				
R.P.M.	1760	Pull-up Torque	10.1 LB-FT				
Hz	60 Phase	3	Locked-rotor Torque	12.1 LB-FT			
NEMA Design Code	B	KVA Code	L	Starting Current	17.1 A		
Service Factor (S.F.)	1.15	No-load Current	1.22 A				
NEMA Nom. Eff.	86.5	Power Factor	76	Line-line Res. @ 25°C	10.935 Ω		
Rating - Duty	40C AMB-CONT		Temp. Rise @ Rated Load	36°C			
S.F. Amps			Temp. Rise @ S.F. Load	43°C			
			Locked-rotor Power Factor	50			

Load Characteristics 460 V, 60 Hz, 1.5 HP

% of Rated Load	25	50	75	100	125	150	S.F.
Power Factor	35	55	68	76	81	84	79
Efficiency	76.4	84.6	86.7	86.9	86.3	85	86.5
Speed	1789.4	1779.6	1769.1	1758	1745.6	1731.9	1751
Line amperes	1.31	1.5	1.78	2.12	2.52	2.96	2.36

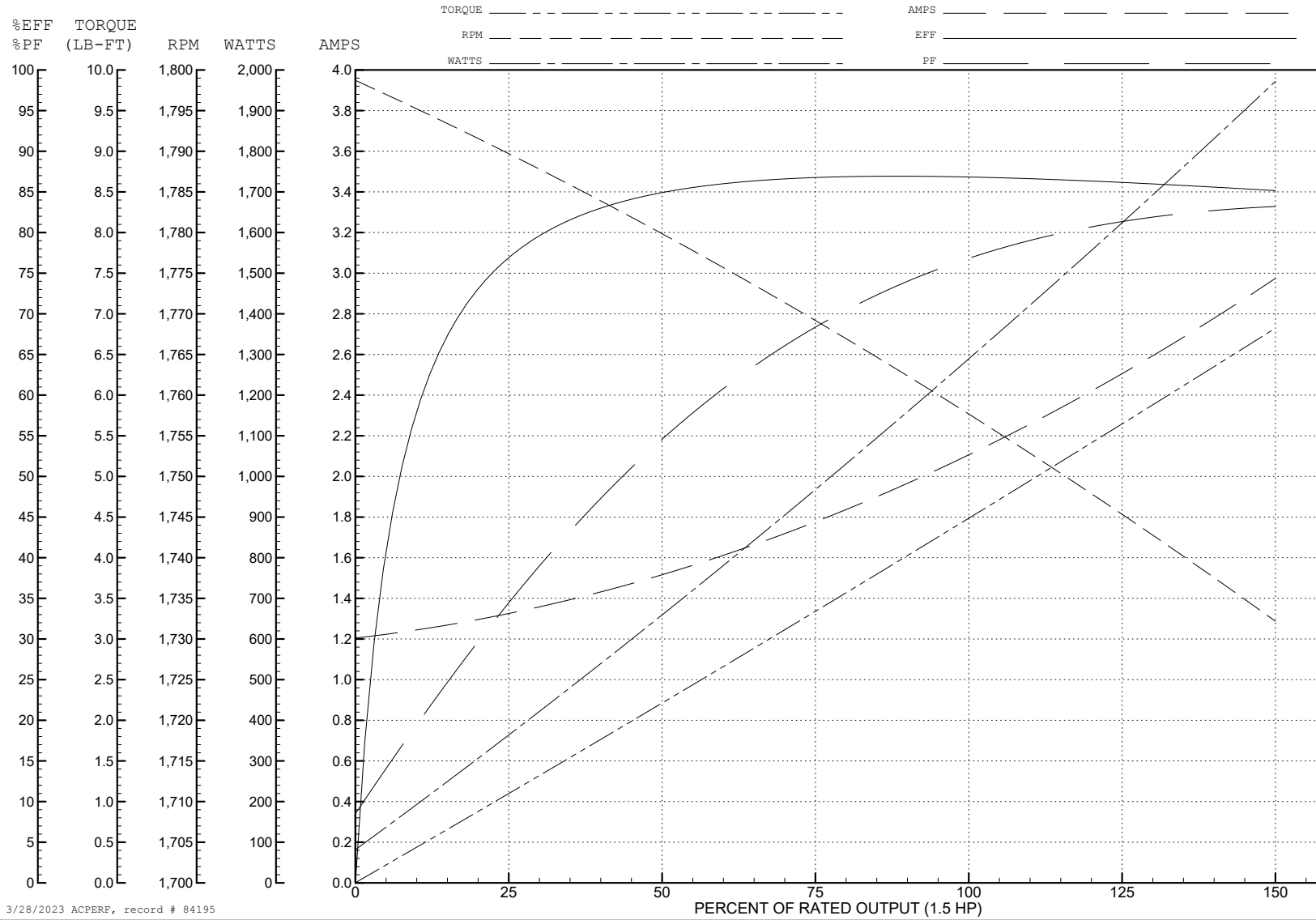
ABB Motors and Mechanical Inc.

WINDING # 05WGY060

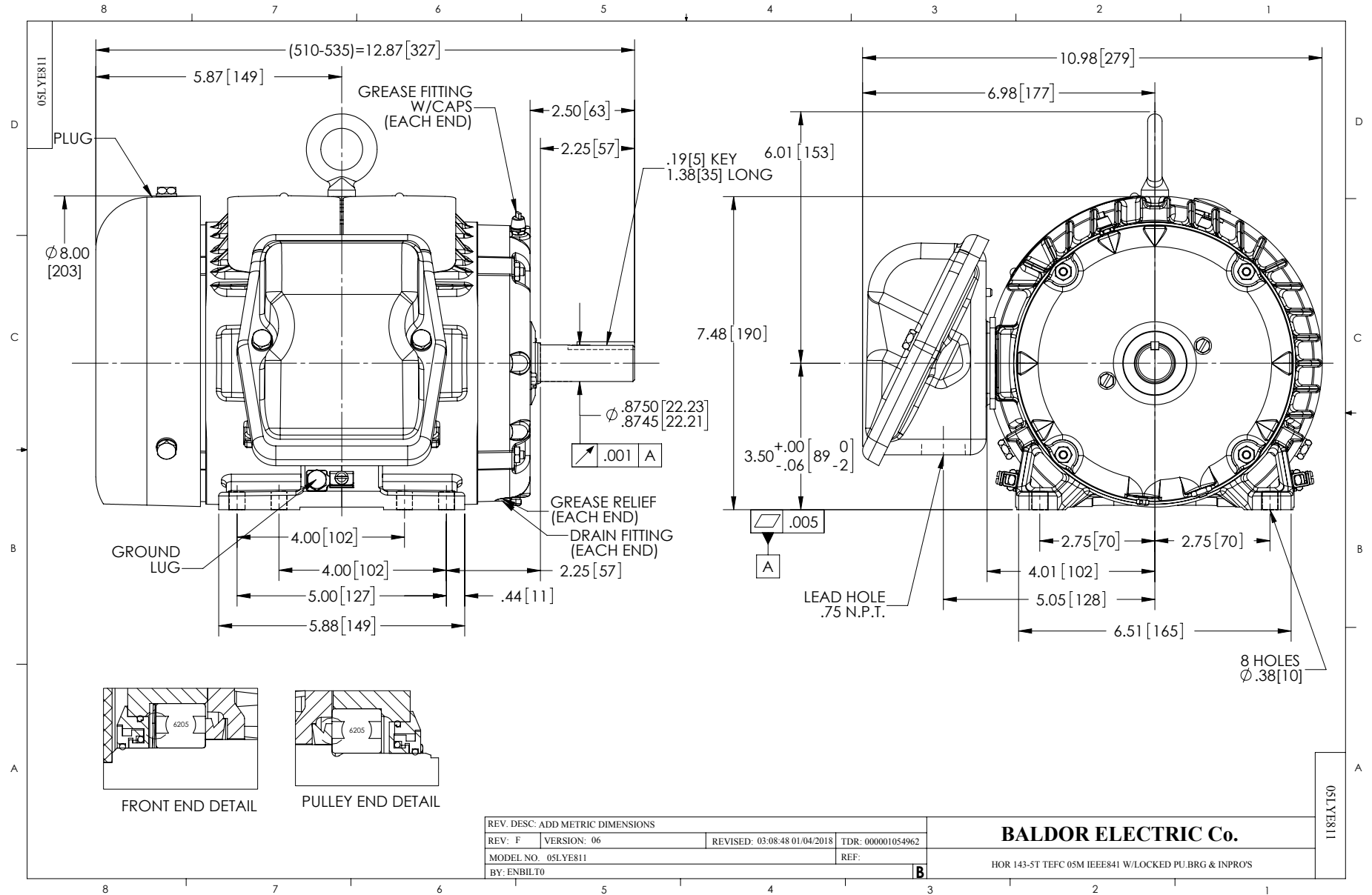
1.5 HP 3 PH 60 HZ 1760 RPM 460 V 0528M

Typical performance - not guaranteed values.

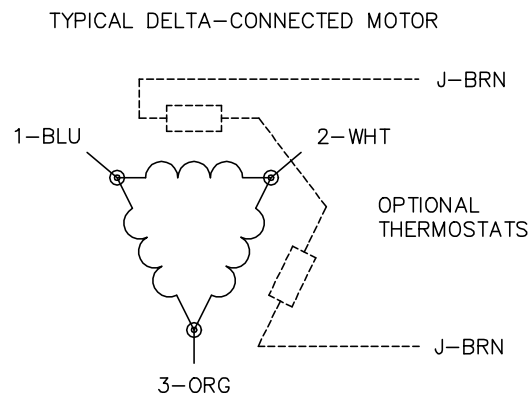
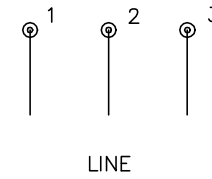
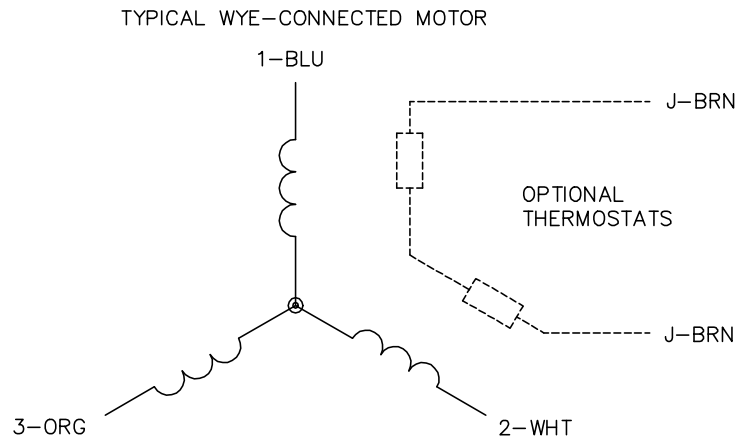
TORQUES (LB-FT): PO=17.7 PU=10.1 LR=12.1 LRA=17.1



3/28/2023 ACPERF, record # 84195



CD0006



NOTES:

1. THREE LEAD MOTOR MAY BE EITHER WYE CONNECTED OR DELTA CONNECTED.
2. INTERCHANGE ANY TWO LINE LEADS TO REVERSE ROTATION.
3. OPTIONAL THERMOSTATS ARE PROVIDED WHEN SPECIFIED.
4. ACTUAL NUMBER OF INTERNAL PARALLEL CIRCUITS MAY VARY.
5. LEAD COLORS ARE OPTIONAL. LEADS MUST BE NUMBERED AS SHOWN.

CD0006

REV. DESC: ADD CLASS CONN00000007		
REV. LTR: E	VERSION: 01	TDR: 000001099922
FILE: \AAA\00005\141	REVISED: 10:24:49 02/19/2019	BY: ENBRIRO
MTL: -	© □	

BALDOR - RELIANCE®

3PH, SV, 3 LEADS, WYE OR DELTA CONNECTED

SH 1 of 1