

# ABB BALDOR RELIANCE III

---

## Customer information packet

### ECP83583T-4

1.5HP, 3450RPM, 3PH, 60HZ, 143, T, 0524M, TEFC

Class - CLI GP A,B,C,D

Division - Division II

**Specifications**

<b>Enclosure</b>	TEFC
<b>Frame</b>	143T
<b>Frame Material</b>	Iron
<b>Frequency</b>	60.00 Hz
<b>Haz Area Class and Group</b>	CLI GP A,B,C,D
<b>Haz Area Division</b>	Division II
<b>Motor Letter Type</b>	Three Phase
<b>Output @ Frequency</b>	1.500 HP @ 60 HZ
<b>Phase</b>	3
<b>Synchronous Speed @ Frequency</b>	3600 RPM @ 60 HZ
<b>Voltage @ Frequency</b>	460.0 V @ 60 HZ
<b>Agency Approvals</b>	CCSA US CSA CSA EEV NEMA PREMIUM NEMA_PREMIUM UR
<b>Ambient Temperature</b>	40 °C
<b>Auxiliary Box</b>	NO AUXILLARY BOX
<b>Auxiliary Box Lead Termination</b>	None
<b>Base Indicator</b>	Rigid
<b>Bearing Grease Type</b>	Polyrex EM (-20F +300F)
<b>Blower</b>	None
<b>Constant Torque Speed Range</b>	1.7
<b>Current @ Voltage</b>	2.000 A @ 460.0 V
<b>Design Code</b>	B
<b>Drip Cover</b>	No Drip Cover
<b>Duty Rating</b>	CONT
<b>Efficiency @ 100% Load</b>	85.5 %
<b>Electrically Isolated Bearing</b>	Not Electrically Isolated
<b>Enclosure Modification</b>	841
<b>Feedback Device</b>	NO FEEDBACK

**Part Detail**

<b>Revision</b>	BM
<b>Type</b>	AC
<b>Mech. spec.</b>	05E811
<b>Base</b>	
<b>Status</b>	PRD/A
<b>Elec. spec.</b>	05WGW176
<b>Layout</b>	05LYE811
<b>Eff. date</b>	04-15-2026
<b>CD Diagram</b>	CD0006
<b>Poles</b>	02
<b>Leads</b>	3#18,0#,0#,0# Y
<b>Proprietary</b>	False
<b>Created date</b>	11-18-2005

Front Face Code	Standard
Front Shaft Indicator	None
Haz Area Temp Code	T3C
Heater Indicator	No Heater
High Voltage Full Load Amps	2.0 a
Insulation Class	F
Inverter Code	Inverter Ready
KVA Code	M
Lifting Lugs	Standard Lifting Lugs
Locked Bearing Indicator	Locked Bearing
Max Speed	5400 rpm
Motor Lead Exit	Ko Box
Motor Lead Quantity/Wire Size	@ 0 AWG 3 @ 18 AWG
Motor Lead Termination	Flying Leads
Motor Standards	NEMA
Motor Type	0524M
Mounting Arrangement	F1
Number of Poles	2
Overall Length	12.87 IN
Power Factor	83
Product Family	Chem Process S/P 32-8 IEEE 841
Pulley End Bearing Type	Ball
Pulley Face Code	Standard
Pulley Shaft Indicator	Standard
Rodent Screen	None
RoHS Status	ROHS COMPLIANT
Service Factor	1.15
Shaft Diameter	0.875 IN
Shaft Extension Location	Pulley End
Shaft Ground Indicator	No Shaft Grounding
Shaft Rotation	Reversible
Shaft Slinger Indicator	Shaft Slinger
Speed	3450 rpm

<b>Speed Code</b>	Single Speed
<b>Starting Method</b>	Direct on line
<b>Thermal Device - Bearing</b>	None
<b>Thermal Device - Winding</b>	None
<b>Vibration Sensor Indicator</b>	No Vibration Sensor
<b>Winding Thermal 1</b>	None
<b>Winding Thermal 2</b>	None

**Nameplate**

<b>NP4328</b>									
<b>CAT.NO.</b>	ECP83583T-4								
<b>SPEC.</b>	05E811W176								
<b>HP</b>	1.5 TE	<b>IP</b>	56						
<b>VOLTS</b>	460								
<b>AMPS</b>	2								
<b>R.P.M.</b>	3450								
<b>FRAME</b>	143T	<b>HZ</b>	60	<b>PH</b>	3				
<b>SER.F.</b>	1.15	<b>CODE</b>	M	<b>DES.</b>	B	<b>CLASS</b>	F		
<b>RATING</b>	40C AMB-CONT								
<b>SN</b>									
<b>DE</b>	6205	<b>ODE</b>	6205						
<b>NEMA NOM. EFF.</b>	85.5	<b>P.F.</b>	83						
<b>GUAR. MIN. EFF.</b>	82.5	<b>CC</b>	010A						
<b>T. CODE</b>	T3C	<b>TEMP=</b>	160						

**NP3186**

<b>SPEC.</b>	05E811W176		
<b>ABMA DE BRG</b>	25BC02X30X		
<b>ABMA ODE BRG</b>	25BC02X30X		
<b>GREASE</b>	POLYREX EM		
<b>MOTOR WEIGHT</b>	69	<b>ROTOR BARS</b>	20
		<b>STATOR BARS</b>	24
<b>MAX. R.P.M.</b>	5400	<b>MAX. KVAR</b>	.25
<b>INV.TYPE</b>	PWM		
<b>T=</b>	160		
<b>CHP</b>	60	<b>TO</b>	90
<b>CT</b>	1.7	<b>TO</b>	60
<b>VT</b>	0-	<b>TO</b>	60
<b>HTR-VOLTS</b>	N/A	<b>HTR-AMPS</b>	N/A
<b>HTR-WATTS</b>	N/A	<b>MAX. SPACE HEATER TEMP.</b>	N/A

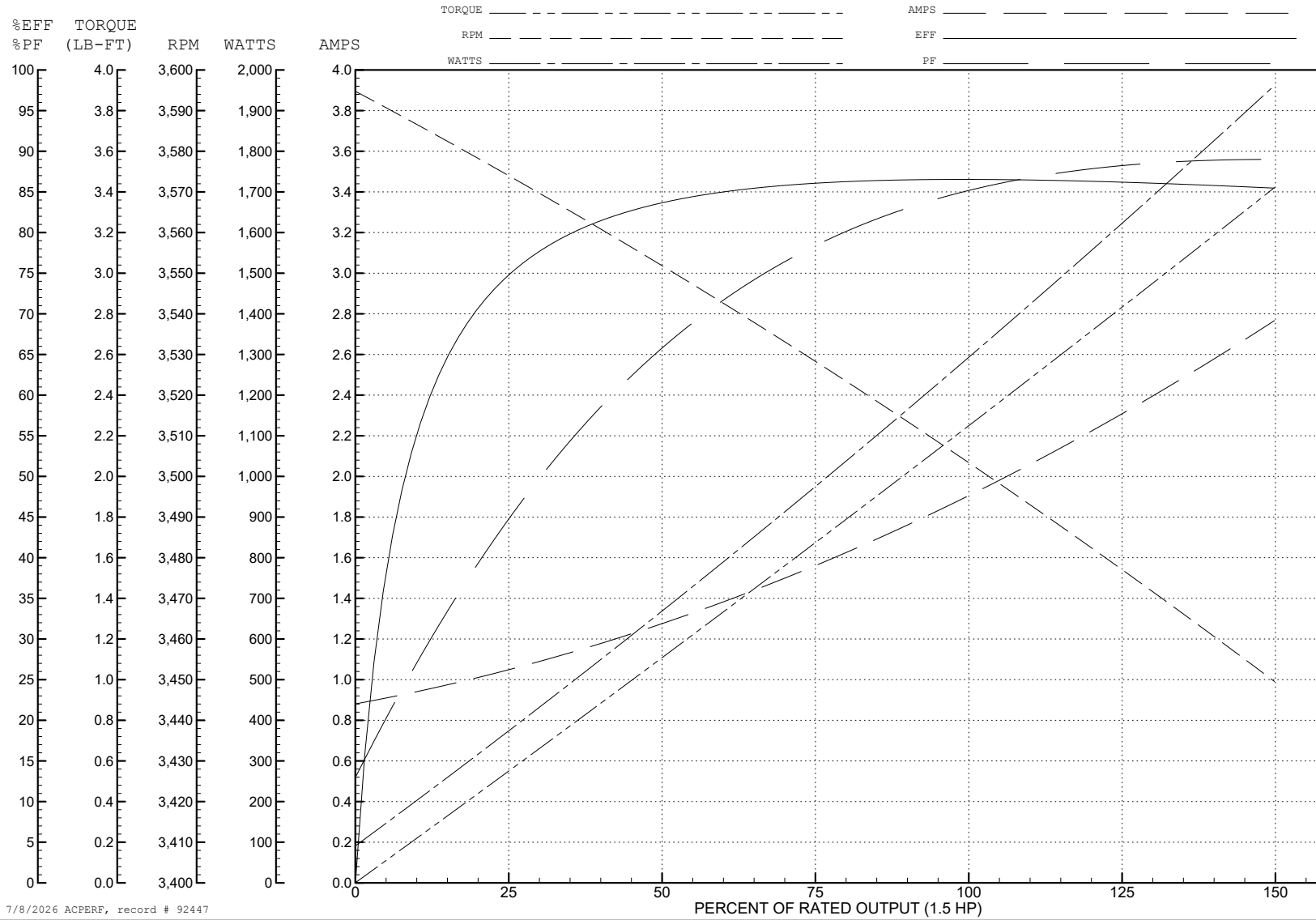
ABB Motors and Mechanical Inc.

WINDING # 05WGW176

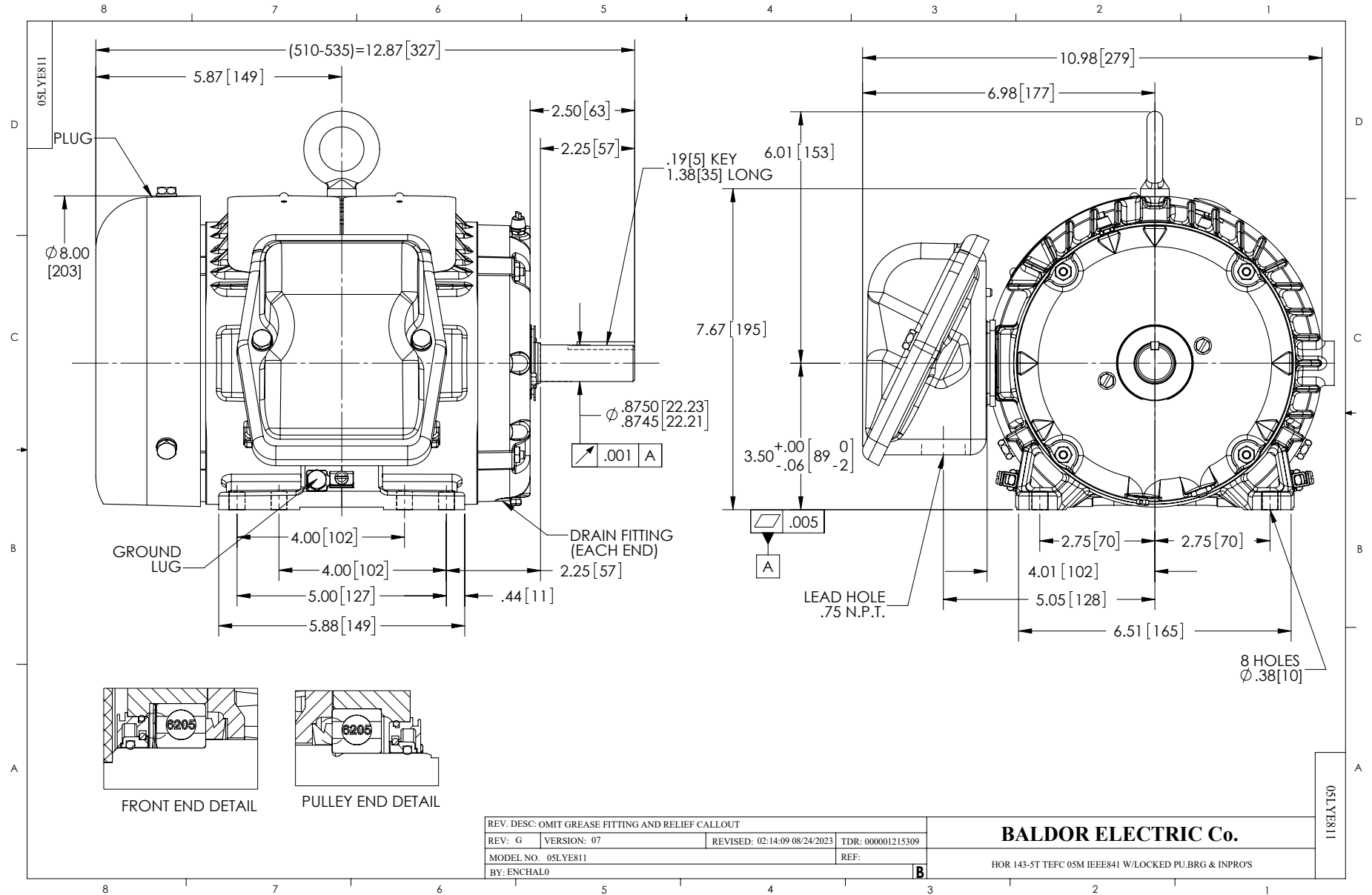
Typical performance - not guaranteed values.

1.5 HP 3 PH 60 HZ 3450 RPM 460 V 0524M

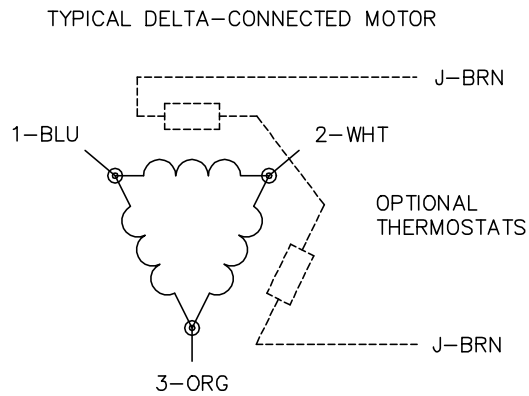
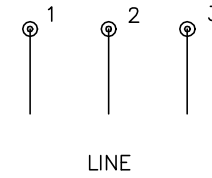
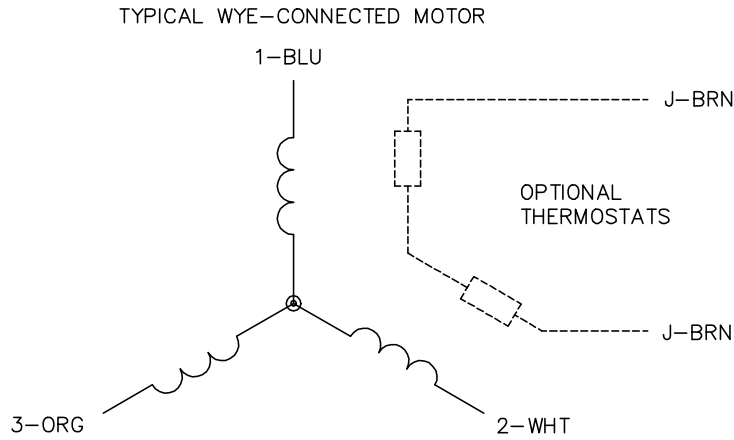
TORQUES (LB-FT): PO=11.1 PU=7.77 LR=9.67 LRA=20



7/8/2026 ACPERF, record # 92447



CD0006



NOTES:

1. THREE LEAD MOTOR MAY BE EITHER WYE CONNECTED OR DELTA CONNECTED.
2. INTERCHANGE ANY TWO LINE LEADS TO REVERSE ROTATION.
3. OPTIONAL THERMOSTATS ARE PROVIDED WHEN SPECIFIED.
4. ACTUAL NUMBER OF INTERNAL PARALLEL CIRCUITS MAY VARY.
5. LEAD COLORS ARE OPTIONAL. LEADS MUST BE NUMBERED AS SHOWN.

CD0006

REV. DESC: ADD CLASS CONN00000007		
REV. LTR: E	VERSION: 01	TDR: 000001099922
FILE: \AAA\00005\141	REVISED: 10:24:49 02/19/2019	BY: ENBRIRO
MTL: -		© □

**BALDOR - RELIANCE®**

3PH, SV, 3 LEADS, WYE OR DELTA CONNECTED

SH 1 of 1