

BALDOR • RELIANCE

Customer information packet

ECP82394T-4

15HP, 3520RPM, 3PH, 60HZ, 254T, TEFC, F1

Class - CLI GP A,B,C,D

Division - Division II

Copyright © All product information within this document is subject to ABB Motors and Mechanical Inc. copyright © protection, unless otherwise noted.

4/23/2025 1:01:43 PM

Specifications

Enclosure	TEFC
Frame	254T
Frame Material	Iron
Frequency	60.00 Hz
Haz Area Class and Group	CL I GP A,B,C,D
Haz Area Division	Division II
Motor Letter Type	Three Phase
Output @ Frequency	15.000 HP @ 60 HZ
Phase	3
Synchronous Speed @ Frequency	3600 RPM @ 60 HZ
Voltage @ Frequency	460.0 V @ 60 HZ
Agency Approvals	CCSA US CSA EEV NEMA PREMIUM NEMA_PREMIUM UR
Ambient Temperature	40 °C
Auxillary Box	No Auxillary Box
Auxillary Box Lead Termination	None
Base Indicator	Rigid
Bearing Grease Type	Polyrex EM (-20F +300F)
Blower	None
Constant Torque Speed Range	6
Current @ Voltage	17.000 A @ 460.0 V
Design Code	B
Drip Cover	No Drip Cover
Duty Rating	CONT
Efficiency @ 100% Load	91.0 %
Electrically Isolated Bearing	Not Electrically Isolated
Enclosure Modification	841
Feedback Device	NO FEEDBACK
Haz Area Temp Code	T3C

Part detail

Revision	N
Type	AC
Mech. spec.	
Base	
Status	PRD/A
Elec. spec.	09WGY948
Layout	09LYJ286
Eff. date	11-14-2023
CD Diagram	CD0006
Poles	02
Leads	3#12
Proprietary	False
Created date	11-27-2018

Heater Indicator	No Heater
High Voltage Full Load Amps	17.0 a
Insulation Class	F
Inverter Code	Inverter Duty
IP Rating	IP56
KVA Code	G
Lifting Lugs	Standard Lifting Lugs
Locked Bearing Indicator	Locked Bearing
Max Speed	5400 rpm
Motor Lead Termination	Ring Terminals
Motor Standards	NEMA
Motor Type	0934M
Mounting Arrangement	F1
Number of Poles	2
Overall Length	24.78 IN
Power Factor	89
Product Family	Chem Process S/P 32-8 IEEE 841
Pulley Face Code	Standard
Rodent Screen	None
Service Factor	1.15
Shaft Diameter	1.625 IN
Shaft Ground Indicator	No Shaft Grounding
Shaft Rotation	Reversible
Speed	3520 rpm
Speed Code	Single Speed
Starting Method	Direct on line
Thermal Device - Bearing	None
Thermal Device - Winding	None
Vibration Sensor Indicator	No Vibration Sensor
Winding Thermal 1	None
Winding Thermal 2	None

Nameplate

NP4332

STK.NO.	ECP82394T-4	P/N		ENCLOSURE	TEFC
SPEC.	09-0000-0859	CC	010A	FRAME	254T
HP	15	CLASS	F	HZ	60
RPM	3520	RPM MAX	5400	ODE BRG	6309
VOLT	460	PH	3	DE BRG	6309
AMP	17	DES	B	D.E. BRG.	45BC03X30X
RATING	40C AMB-CONT	PH	3	O.D.E. BRG.	45BC03X30X
NEMA-NOM-EFF	91	KVA-CODE	G	MOTOR WEIGHT	295
G.MIN.EFF	89.5	MAX. KVAR	1.6	GREASE	POLYREX EM
TEMP CODE	T3C	SER.F.	1.15	BLANK	
TEMP =	160	IP	56	INV.TYPE	PWM
CT HZ FROM	6	# OF ROTOR BARS	28	PF	89
HTR-VOLTS		# OF STATOR SLOTS	36	INVERTER-TEMP-CODE	180
HTR-AMPS		C HP FR	60	C HP TO	90
HTR-WATTS		CT HZ TO	60	MAX. SPACE HEATER TEMP.	
VT HZ FROM	0-	VT HZ TO	60		

AC Induction Motor Performance Data

Record # 49591

Typical performance - not guaranteed values

Winding: 09WGY948-R035		Type: 0934M	Enclosure: TEFC	
Nameplate Data			460 V, 60 Hz: Single Voltage Motor	
Rated Output (HP)	15	Full Load Torque	22.4 LB-FT	
Volts	460	Start Configuration	direct on line	
Full Load Amps	17	Breakdown Torque	87.8 LB-FT	
R.P.M.	3520	Pull-up Torque	26 LB-FT	
Hz	60	Phase	3	Locked-rotor Torque
NEMA Design Code	B	KVA Code	G	Starting Current
Service Factor (S.F.)	1.15	No-load Current	5.1 A	
NEMA Nom. Eff.	91	Power Factor	89	Line-line Res. @ 25°C
Rating - Duty	40C AMB-CONT		Temp. Rise @ Rated Load	54°C
S.F. Amps			Temp. Rise @ S.F. Load	67°C
			Locked-rotor Power Factor	28.4
			Rotor inertia	0.868 lb-ft ²

Load Characteristics 460 V, 60 Hz, 15 HP

% of Rated Load	25	50	75	100	125	150	S.F.
Power Factor	61	80	88	89	90	90	90
Efficiency	87.4	91.1	91.7	91.3	90.1	88.7	90.5
Speed	3581	3563	3544	3522	3499	3472	3508
Line amperes	6.66	9.71	13.1	17.3	21.7	26.5	19.9

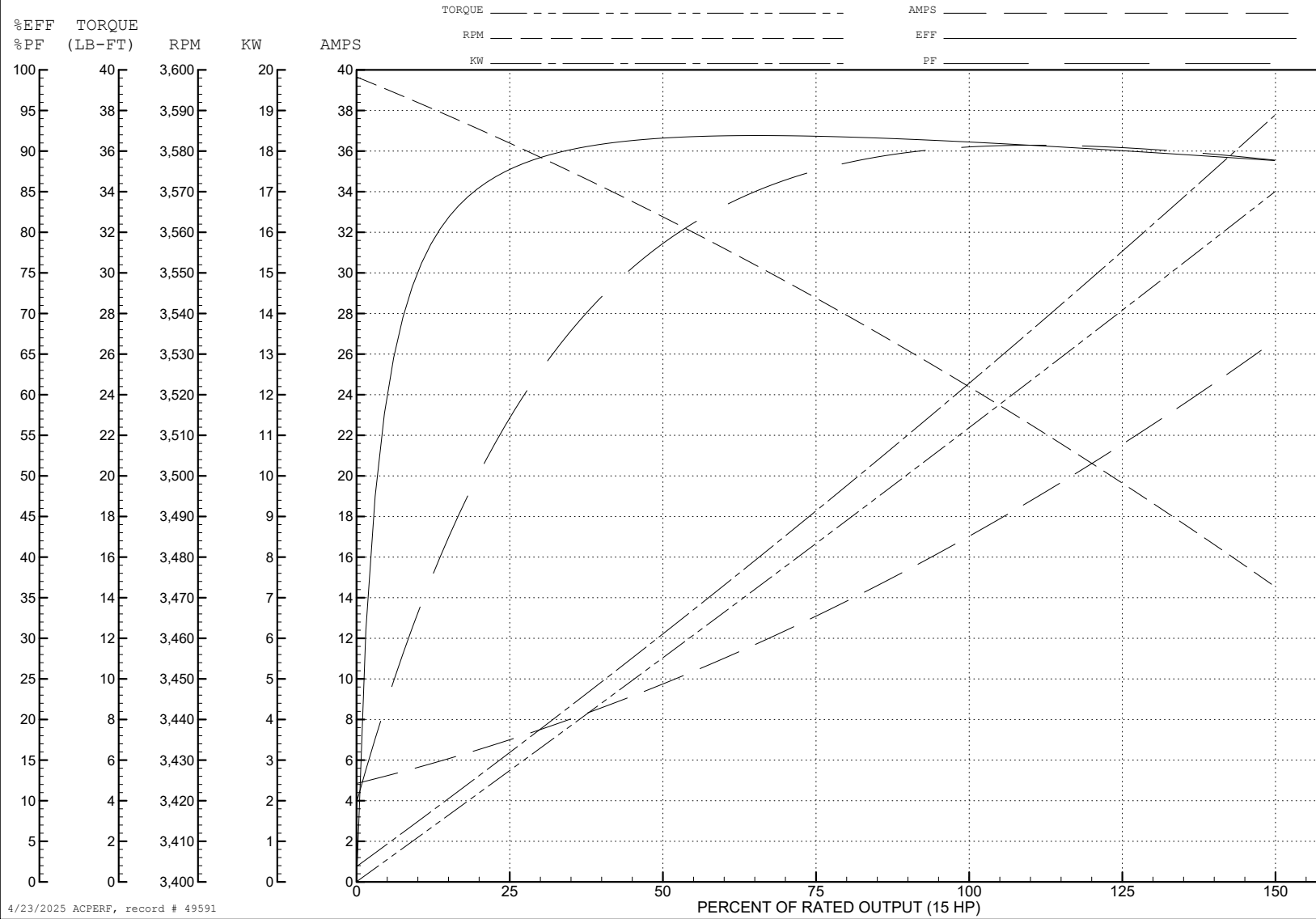
ABB Motors and Mechanical Inc.

WINDING # 09WGY948

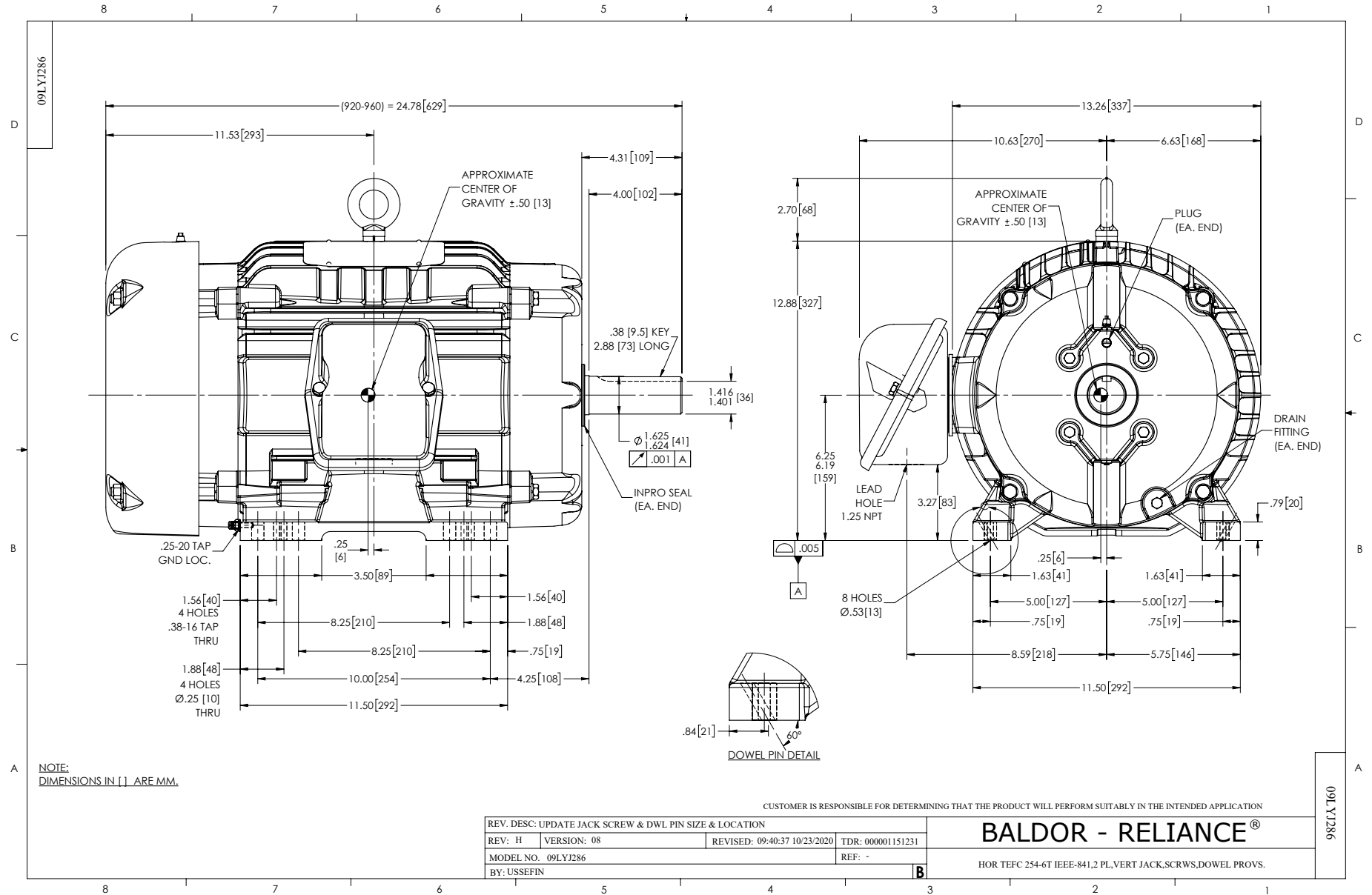
Typical performance - not guaranteed values.

15 HP 3 PH 60 HZ 3520 RPM 460 V 0934M

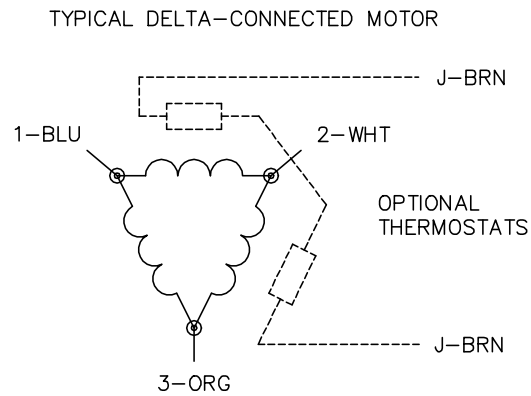
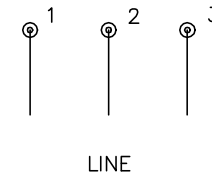
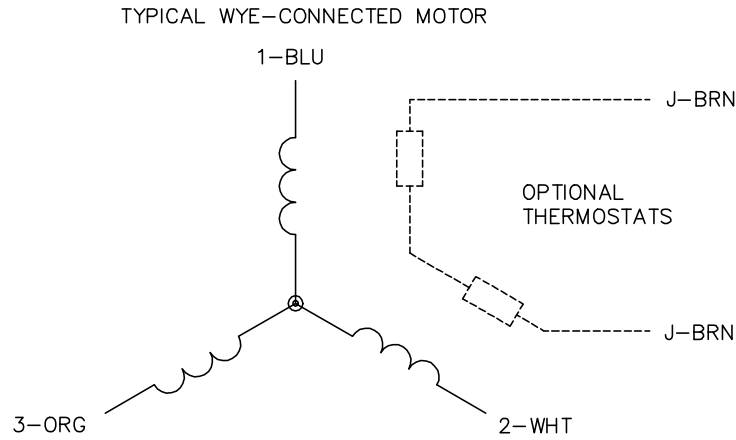
TORQUES (LB-FT): PO=87.8 PU=26 LR=32.7 LRA=114



4/23/2025 ACPERF, record # 49591



CD0006



NOTES:

1. THREE LEAD MOTOR MAY BE EITHER WYE CONNECTED OR DELTA CONNECTED.
2. INTERCHANGE ANY TWO LINE LEADS TO REVERSE ROTATION.
3. OPTIONAL THERMOSTATS ARE PROVIDED WHEN SPECIFIED.
4. ACTUAL NUMBER OF INTERNAL PARALLEL CIRCUITS MAY VARY.
5. LEAD COLORS ARE OPTIONAL. LEADS MUST BE NUMBERED AS SHOWN.

CD0006

REV. DESC: ADD CLASS CONN00000007		
REV. LTR: E	VERSION: 01	TDR: 000001099922
FILE: \AAA\00005\141	REVISED: 10: 24: 49 02/19/2019	BY: ENBRIRO
MTL: -	© □	

BALDOR - RELIANCE®

3PH, SV, 3 LEADS, WYE OR DELTA CONNECTED

SH 1 of 1