



---

# Customer information packet

## ECP82333T-5

15HP, 1760RPM, 3PH, 60HZ, 254T, TEFC, F1

Class - CLI GP A,B,C,D

Division - Division II

## Specifications

Enclosure	TEFC
Frame	254T
Frame Material	Iron
Frequency	60.00 Hz
Haz Area Class and Group	CLI GP A,B,C,D
Haz Area Division	Division II
Motor Letter Type	Three Phase
Output @ Frequency	15.000 HP @ 60 HZ
Phase	3
Synchronous Speed @ Frequency	1800 RPM @ 60 HZ
Voltage @ Frequency	575.0 V @ 60 HZ
Agency Approvals	CCSA US CSA EEV NEMA PREMIUM NEMA_PREMIUM UR
Ambient Temperature	40 °C
Auxillary Box	No Auxillary Box
Auxillary Box Lead Termination	None
Base Indicator	Rigid
Bearing Grease Type	Polyrex EM (-20F +300F)
Blower	None
Constant Torque Speed Range	1.3
Current @ Voltage	14.100 A @ 575.0 V
Design Code	B
Drip Cover	No Drip Cover
Duty Rating	CONT
Efficiency @ 100% Load	92.4 %
Electrically Isolated Bearing	Not Electrically Isolated
Enclosure Modification	841
Feedback Device	NO FEEDBACK
Haz Area Temp Code	T3C

## Part detail

Revision	Q
Type	AC
Mech. spec.	
Base	
Status	PRD/A
Elec. spec.	09WGWZ985
Layout	09LYJ287
Eff. date	11-14-2023
CD Diagram	CD0006
Poles	04
Leads	3#12
Proprietary	False
Created date	11-27-2018

Heater Indicator	No Heater
High Voltage Full Load Amps	14.1 a
Insulation Class	F
Inverter Code	Inverter Duty
IP Rating	IP56
KVA Code	G
Lifting Lugs	Standard Lifting Lugs
Locked Bearing Indicator	Locked Bearing
Max Speed	2700 rpm
Motor Lead Termination	Ring Terminals
Motor Standards	NEMA
Motor Type	0944M
Mounting Arrangement	F1
Number of Poles	4
Overall Length	24.78 IN
Power Factor	85
Product Family	Chem Process S/P 32-8 IEEE 841
Pulley Face Code	Standard
Rodent Screen	None
Service Factor	1.15
Shaft Diameter	1.625 IN
Shaft Ground Indicator	No Shaft Grounding
Shaft Rotation	Reversible
Speed	1760 rpm
Speed Code	Single Speed
Starting Method	Direct on line
Thermal Device - Bearing	None
Thermal Device - Winding	None
Vibration Sensor Indicator	No Vibration Sensor
Winding Thermal 1	None
Winding Thermal 2	None

**Nameplate**

**NP4332**

<b>STK.NO.</b>	ECP82333T-5	<b>P/N</b>		<b>ENCLOSURE</b>	TEFC
<b>SPEC.</b>	09-0000-0866	<b>CC</b>	010A	<b>FRAME</b>	254T
<b>HP</b>	15	<b>CLASS</b>	F	<b>HZ</b>	60
<b>RPM</b>	1760	<b>RPM MAX</b>	2700	<b>PH</b>	3
<b>VOLT</b>	575	<b>KVA-CODE</b>	G	<b>ODE BRG</b>	6309
<b>AMP</b>	14.1	<b>MOTOR WEIGHT</b>	318	<b>DE BRG</b>	6309
<b>RATING</b>	40C AMB-CONT	<b>MAX. KVAR</b>	3.5	<b>D.E. BRG.</b>	45BC03X30X
<b>NEMA-NOM-EFF</b>	92.4	<b># OF ROTOR BARS</b>	40	<b>O.D.E. BRG.</b>	45BC03X30X
<b>G.MIN.EFF</b>	91	<b># OF STATOR SLOTS</b>	48	<b>IP</b>	56
<b>TEMP CODE</b>	T3C	<b>PF</b>	85	<b>INV.TYPE</b>	PWM
<b>TEMP =</b>	160	<b>INVERTER-TEMP-CODE</b>	180		
<b>CT HZ FROM</b>	1.3	<b>C HP FR</b>	60	<b>C HP TO</b>	90
<b>HTR-VOLTS</b>		<b>CT HZ TO</b>	60	<b>HTR-WATTS</b>	
				<b>MAX. SPACE HEATER TEMP.</b>	
				<b>VT HZ FROM</b>	0
				<b>VT HZ TO</b>	60

**AC Induction Motor Performance Data**

Record # 47085

Typical performance - not guaranteed values

Winding: 09WGW985-R007		Type: 0944M	Enclosure: TEFC	
<b>Nameplate Data</b>			<b>575 V, 60 Hz: Single Voltage Motor</b>	
Rated Output (HP)	15	Full Load Torque	44.6 LB-FT	
Volts	575	Start Configuration	direct on line	
Full Load Amps	14.1	Breakdown Torque	167 LB-FT	
R.P.M.	1760	Pull-up Torque	54.6 LB-FT	
Hz	60 Phase	3	Locked-rotor Torque	75 LB-FT
NEMA Design Code	B KVA Code	G	Starting Current	88.5 A
Service Factor (S.F.)		1.15	No-load Current	5.11 A
NEMA Nom. Eff.	92.4 Power Factor	85	Line-line Res. @ 25°C	1.0056 Ω
Rating - Duty		40C AMB-CONT	Temp. Rise @ Rated Load	50°C
S.F. Amps			Temp. Rise @ S.F. Load	62°C
			Rotor inertia	1.92 LB-FT <sup>2</sup>

**Load Characteristics 575 V, 60 Hz, 15 HP**

% of Rated Load	25	50	75	100	125	150	S.F.
Power Factor	51	73	83	86	87	87	87
Efficiency	89.1	92.6	93	92.5	91.6	90.3	92
Speed	1792.2	1783.2	1773.8	1763.3	1752.9	1740.3	1757
Line amperes	6.09	8.32	10.9	14.1	17.6	21.3	16.2

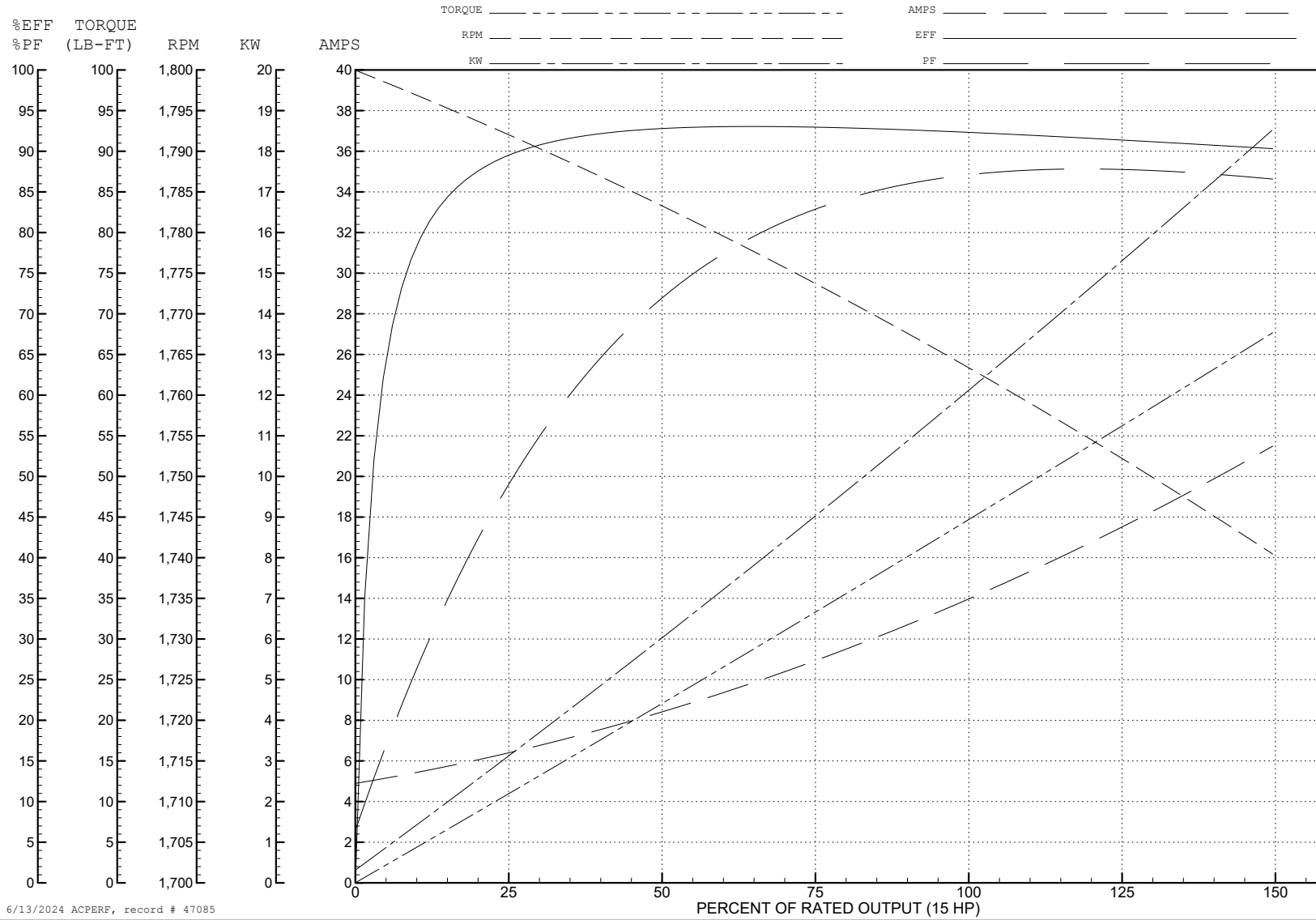
ABB Motors and Mechanical Inc.

WINDING # 09WGZ985

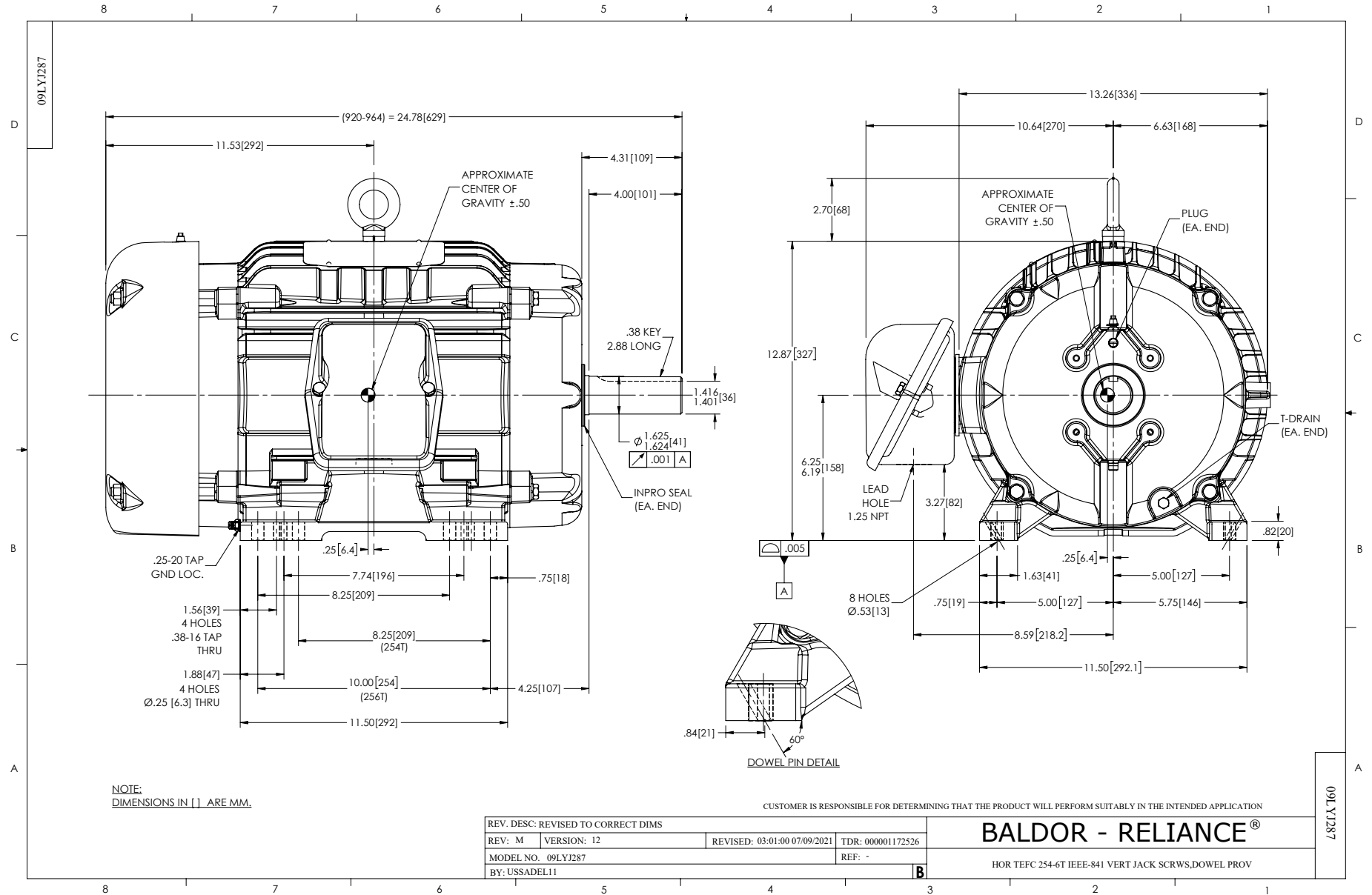
Typical performance - not guaranteed values.

15 HP 3 PH 60 HZ 1760 RPM 575 V 0944M

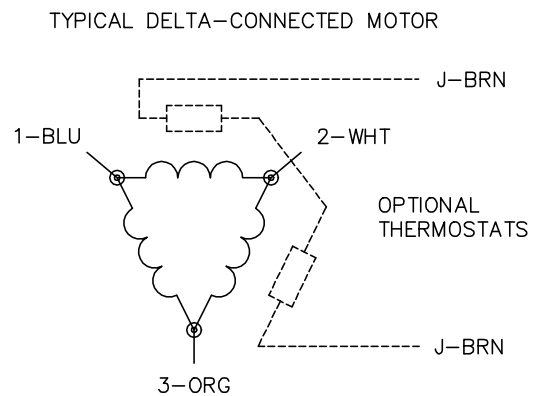
TORQUES (LB-FT): PO=167 PU=54.6 LR=75 LRA=88.5



6/13/2024 ACPERF, record # 47085



CD0006



NOTES:

1. THREE LEAD MOTOR MAY BE EITHER WYE CONNECTED OR DELTA CONNECTED.
2. INTERCHANGE ANY TWO LINE LEADS TO REVERSE ROTATION.
3. OPTIONAL THERMOSTATS ARE PROVIDED WHEN SPECIFIED.
4. ACTUAL NUMBER OF INTERNAL PARALLEL CIRCUITS MAY VARY.
5. LEAD COLORS ARE OPTIONAL. LEADS MUST BE NUMBERED AS SHOWN.

CD0006

REV. DESC: ADD CLASS CONN00000007		
REV. LTR: E	VERSION: 01	TDR: 000001099922
FILE: \AAA\00005\141	REVISED: 10:24:49 02/19/2019	BY: ENBRIRO
MTL: -	© □	

**BALDOR - RELIANCE®**

3PH, SV, 3 LEADS, WYE OR DELTA CONNECTED

SH 1 of 1