



Customer information packet

ECP64314TR-4

60HP, 1780RPM, 3PH, 60HZ, 364T, A3658M, TEFC, W

Class - CLI GP A,B,C,D

Division - Division II

Specifications

Enclosure	TEFC
Frame	364T
Frame Material	Iron
Frequency	60.00 Hz
Motor Letter Type	Three Phase
Output @ Frequency	60.000 HP @ 60 HZ
Phase	3
Synchronous Speed @ Frequency	1800 RPM @ 60 HZ
Voltage @ Frequency	460.0 V @ 60 HZ
XP Class and Group	CL I GP A,B,C,D
XP Division	Division II
Agency Approvals	CCSA US CSA EEV NEMA PREMIUM UR
Ambient Temperature	40 °C
Auxillary Box	No Auxillary Box
Base Indicator	Rigid
Bearing Grease Type	Mobil SHC 220 (Athens Only)
Constant Torque Speed Range	15-60
Current @ Voltage	70.000 A @ 460.0 V
Design Code	B
Drip Cover	No Drip Cover
Duty Rating	CONT
Efficiency @ 100% Load	95.0 %
Feedback Device	NO FEEDBACK
Heater Indicator	No Heater
High Voltage Full Load Amps	70.0 a
Insulation Class	F
Inverter Code	Inverter Ready
KVA Code	G
Lifting Lugs	No Lifting Lugs

Part detail

Revision	AA
Type	AC
Mech. spec.	
Base	
Status	PRD/A
Elec. spec.	A36WG4085
Layout	617428-022
Eff. date	01-19-2023
CD Diagram	CD0006
Poles	04
Leads	3#4
Proprietary	False
Created date	10-19-2010

Max Speed	2700 rpm
Motor Lead Quantity/Wire Size	3 @ 4 AWG
Motor Standards	None
Motor Type	A3658M
Mounting Arrangement	W6
Number of Poles	4
Overall Length	33.48 IN
Power Factor	84
Pulley End Bearing Type	Roller
Pulley Face Code	Standard
Service Factor	1.15
Shaft Diameter	2.375 IN
Shaft Ground Indicator	No Shaft Grounding
Shaft Rotation	Phase Seq-Std Rot (CCWODE)
Shaft Slinger Indicator	No Slinger
Speed	1780 rpm
Speed Code	Single Speed
Starting Method	Direct on line
Thermal Device - Bearing	None
Thermal Device - Winding	None
XP Temp Code	T3

Nameplate

NP4371														
CAT #	ECP64314TR-4					FR	364T							
SPEC	P36G3368					ENCL	TEFC		DES	B				
HZ	60	PH	3	CL	F	HP	60	SF	1.15	PF	84	%	CODE	G
VOLTS	460					AMPS	70							
RPM	1780		MAX RPM	2700		SER								
NEMA-NOM-EFF	95	%	RATING	40C AMB-CONT										
GUAR MIN. EFF	94.1	%	BRG DE	NU313		BRG ODE								
CL I DIV 2 GRPS A,B,C,D						CL I ZONE 2 GRPS				IIA,IIB,IIC	TEMP T	3-200	C	
CT HZ	15-60		VT HZ	0-60										
CHP HZ	60-90		INV TEMP CL	200		C								
	IP55					MTR WT	924		LBS					

NP4372

CAT #	ECP64314TR-4	ROTOR BARS	
SPEC	P36G3368	STATOR SLOTS	
SER		MAX CORR KVAR	13.8
GREASE	MOBIL SHC 220		
ABMA DE BRG	65RU03M30X	ODE	

SPACE HEATER LEADS H1-H2:	TIE LIKE NUMBERS	TOGETHER
MAX. SPACE HEATER TEMP.	C V	A W

AC induction motor performance data

Record #72800 - Typical performance - not guaranteed values

Winding	A36WG4085
Type	A3658M
Enclosure	TEFC

Nameplate data

Rated Output			60
Volts			460
Full Load Amps			70
R.P.M.			1780
Hz	60	Phase	3
KVA Code			G
S.F.			1.15
NEMA Nom. Eff.	95	Power Factor	84
Duty			CONT
S.F. Amps			

460 V, 60 Hz:

High Voltage Connection

Full Load Torque	176.4 LB-FT
Start Configuration	direct on line
Breakdown Torque	422 LB-FT
Pull-up Torque	276 LB-FT
Locked-rotor Torque	352 LB-FT
Starting Current	462 A
No-load Current	24.8
Line-line Res. @ 25°C	0.10816 Ω
Temp. Rise @ Rated Load	56°C
Temp. Rise @ S.F. Load	70°C
Locked-rotor Power Factor	32.1
Rotor inertia	0

Load Characteristics 460 V, 60 Hz, 60 HP

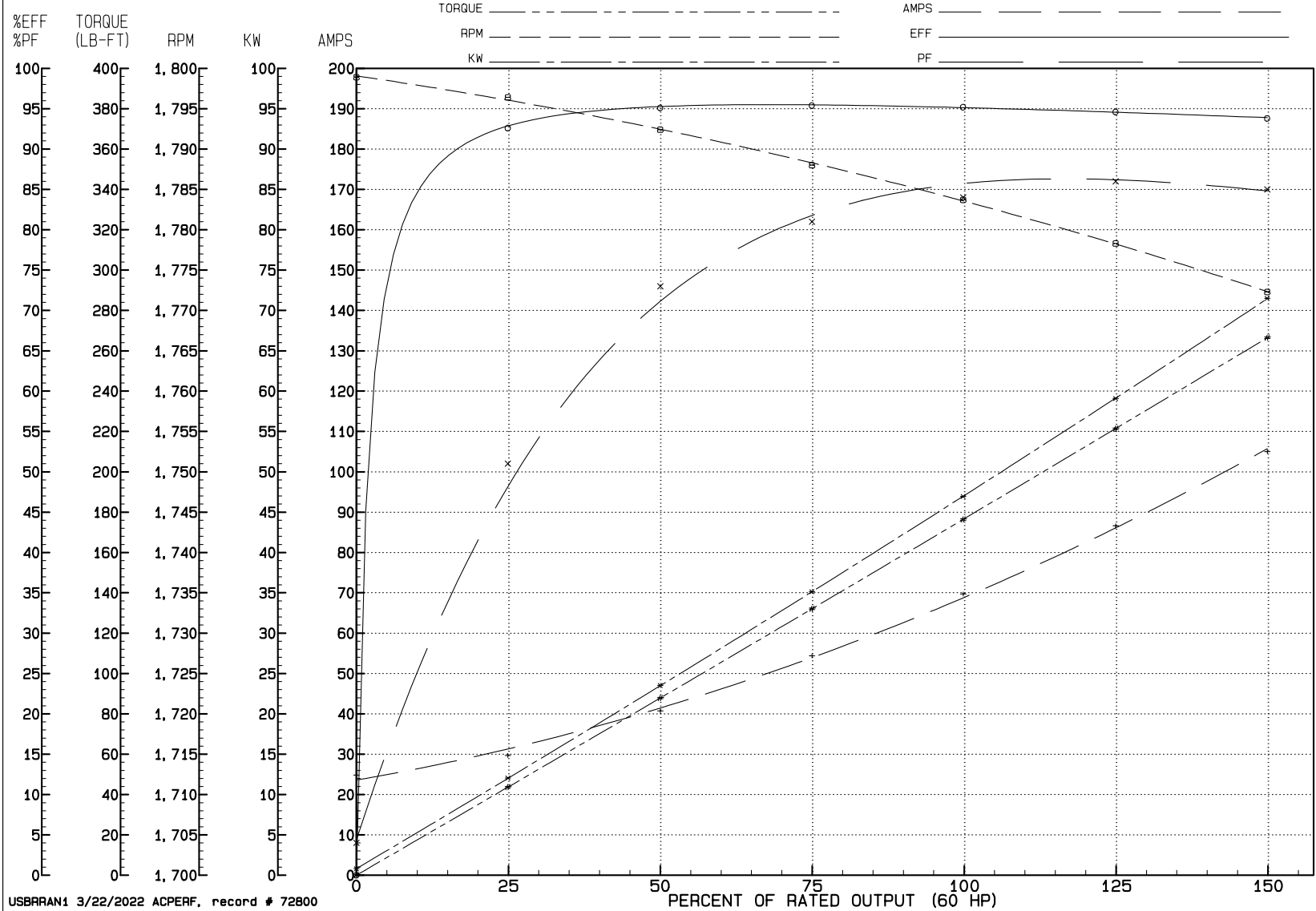
% of Rated Load	NL	25	50	75	100	125	150	SF
Power Factor	4	51	73	81	84	86	85	85
Efficiency	0	92.6	95.1	95.4	95.2	94.6	93.8	94.8
Speed	1798.9	1796.4	1792.4	1788	1783.7	1778.3	1772.3	1780
Line amperes	24.8	29.7	40.7	54.4	69.7	86.6	105	79.8

REVIEW

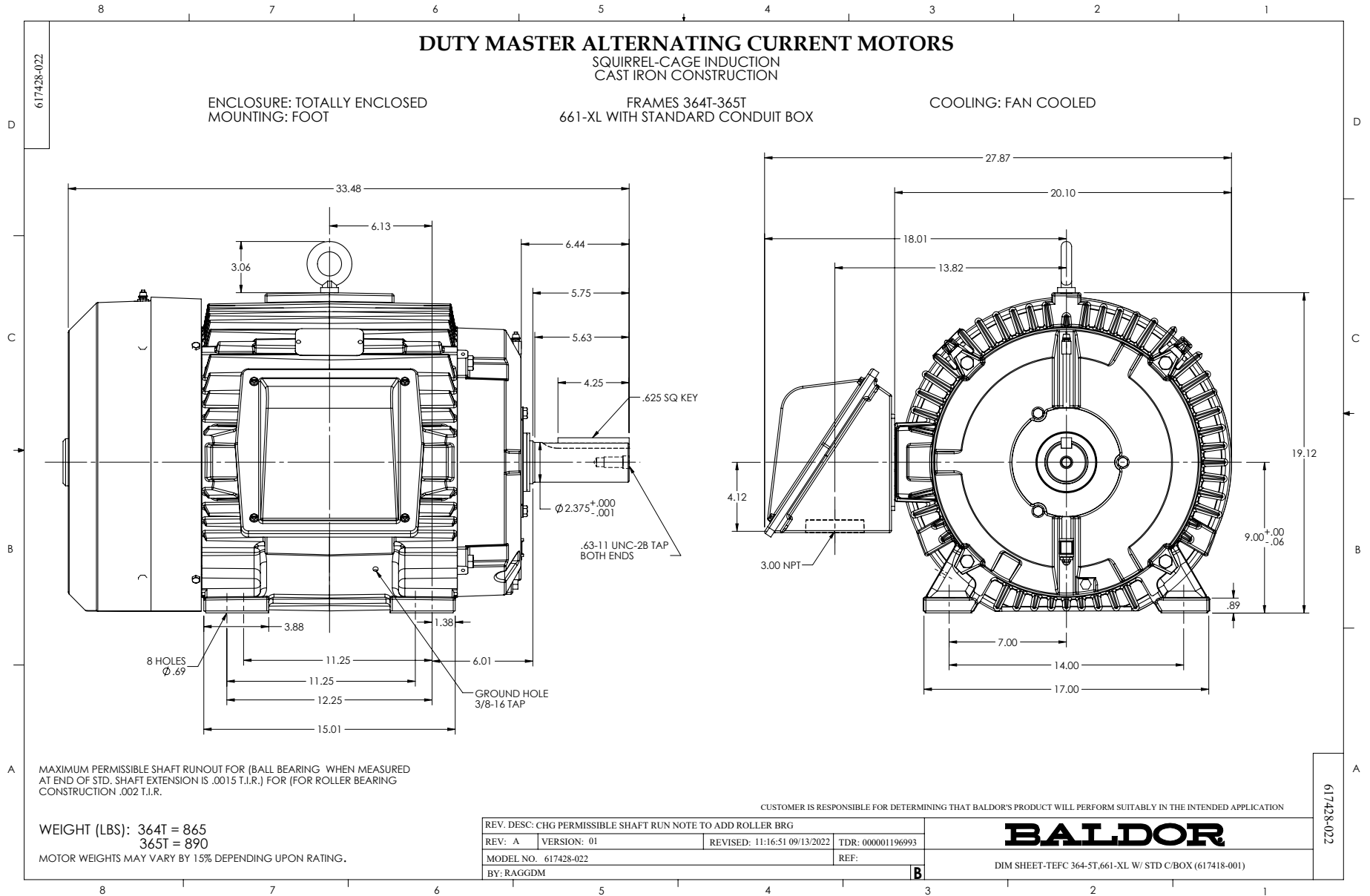
WINDING # A36WG4085

60 HP 3 PH 60 HZ 1780 RPM 460 V A3658M

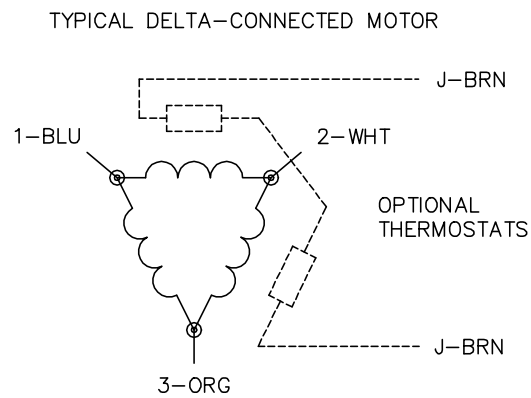
TORQUES (LB-FT): P0=422.00 PU=276.00 LR=352.00 LRA=462.00



USBRAN1 3/22/2022 ACPERF, record # 72800



CD0006



NOTES:

1. THREE LEAD MOTOR MAY BE EITHER WYE CONNECTED OR DELTA CONNECTED.
2. INTERCHANGE ANY TWO LINE LEADS TO REVERSE ROTATION.
3. OPTIONAL THERMOSTATS ARE PROVIDED WHEN SPECIFIED.
4. ACTUAL NUMBER OF INTERNAL PARALLEL CIRCUITS MAY VARY.
5. LEAD COLORS ARE OPTIONAL. LEADS MUST BE NUMBERED AS SHOWN.

CD0006

REV. DESC: ADD CLASS CONN00000007		
REV. LTR: E	VERSION: 01	TDR: 000001099922
FILE: \AAA\00005\141	REVISED: 10:24:49 02/19/2019	BY: ENBRIRO
MTL: -	© □	

BALDOR - RELIANCE®

3PH, SV, 3 LEADS, WYE OR DELTA CONNECTED

SH 1 of 1