

BALDOR • RELIANCE

Customer information packet

ECP64110TR-4

40HP, 1770RPM, 3PH, 60HZ, 324T, 1260M, TEFC, F1

Class - CLI GP A,B,C,D

Division - Division II

Specifications

Enclosure	TEFC
Frame	324T
Frame Material	Iron
Frequency	60.00 Hz
Motor Letter Type	Three Phase
Output @ Frequency	40.000 HP @ 60 HZ
Phase	3
Synchronous Speed @ Frequency	1800 RPM @ 60 HZ
Voltage @ Frequency	460.0 V @ 60 HZ
XP Class and Group	CLI GP A,B,C,D
XP Division	Division II
Agency Approvals	CSA EEV NEMA PREMIUM NEMA_PREMIUM UR CCSA US
Ambient Temperature	40 °C
Auxillary Box	No Auxillary Box
Auxillary Box Lead Termination	None
Base Indicator	Rigid
Bearing Grease Type	Mobilith SHC220, HC9455
Blower	None
Constant Torque Speed Range	1
Current @ Voltage	46.000 A @ 460.0 V
Design Code	B
Drip Cover	No Drip Cover
Duty Rating	CONT
Efficiency @ 100% Load	94.1 %
Electrically Isolated Bearing	Not Electrically Isolated
Enclosure Modification	661
Feedback Device	NO FEEDBACK
Front Face Code	Standard

Part detail

Revision	T
Type	AC
Mech. spec.	12G908
Base	
Status	PRD/A
Elec. spec.	12WGY762
Layout	12LYG908
Eff. date	12-04-2023
CD Diagram	CD0006
Poles	04
Leads	3#8
Proprietary	False
Created date	09-18-2014

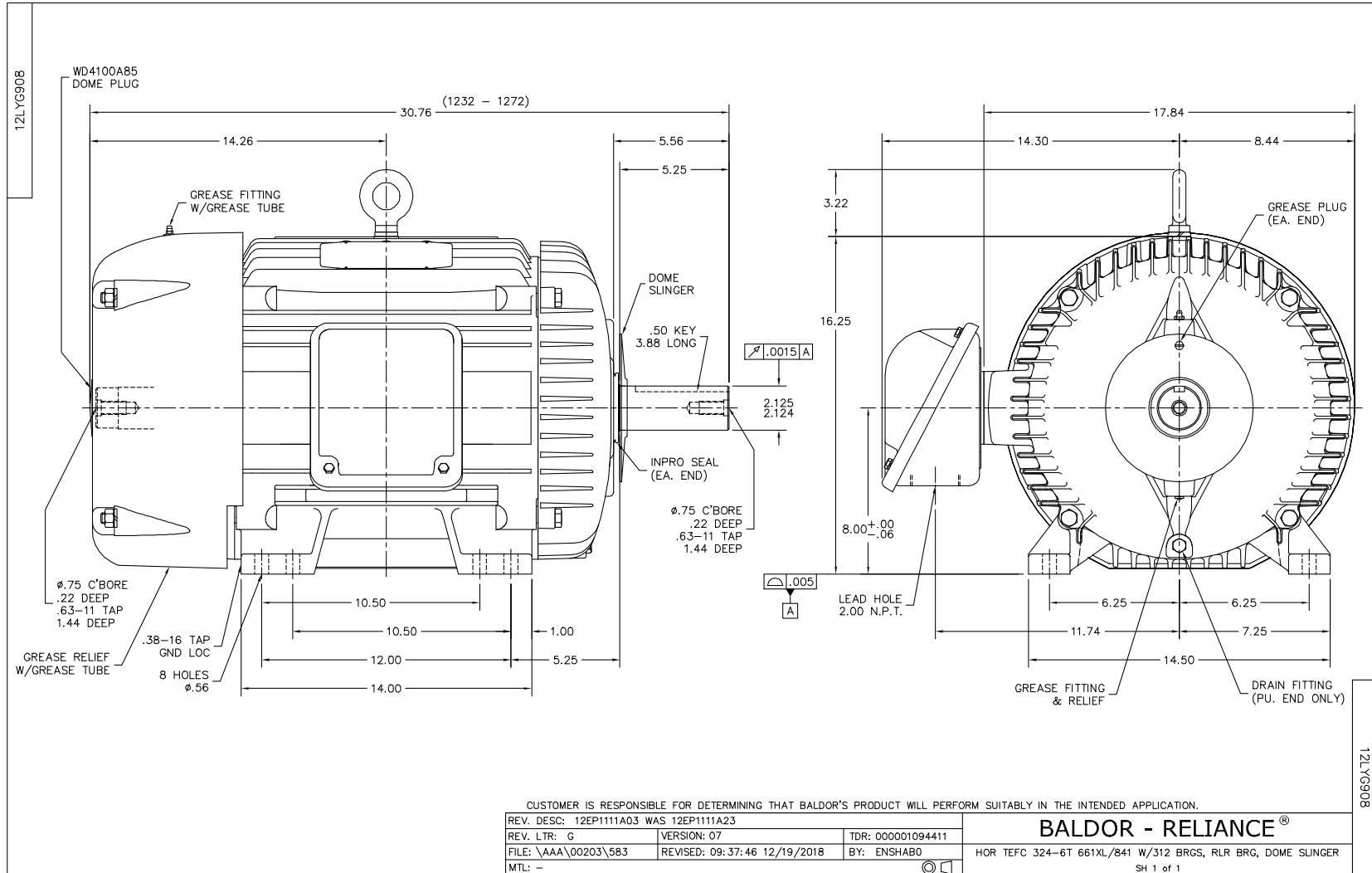
Front Shaft Indicator	None
Heater Indicator	No Heater
High Voltage Full Load Amps	46.0 a
Insulation Class	F
Inverter Code	Inverter Duty
KVA Code	F
Lifting Lugs	Standard Lifting Lugs
Locked Bearing Indicator	Locked Bearing
Max Speed	2700 rpm
Motor Lead Exit	Ko Box
Motor Lead Quantity/Wire Size	3 @ 8 AWG
Motor Lead Termination	Ring Terminals
Motor Standards	NEMA
Motor Type	1260M
Mounting Arrangement	F1
Number of Poles	4
Overall Length	30.76 IN
Power Factor	86
Product Family	Chem Process S/P 32-8 IEEE 841
Pulley End Bearing Type	Roller
Pulley Face Code	Standard
Pulley Shaft Indicator	Standard
Rodent Screen	None
Service Factor	1.15
Shaft Diameter	2.125 IN
Shaft Extension Location	Pulley End
Shaft Ground Indicator	No Shaft Grounding
Shaft Rotation	Reversible
Shaft Slinger Indicator	No Slinger
Speed	1770 rpm
Speed Code	Single Speed
Starting Method	Direct on line
Thermal Device - Bearing	None
Thermal Device - Winding	None

Vibration Sensor Indicator	No Vibration Sensor
Winding Thermal 1	None
Winding Thermal 2	None
XP Temp Code	T3

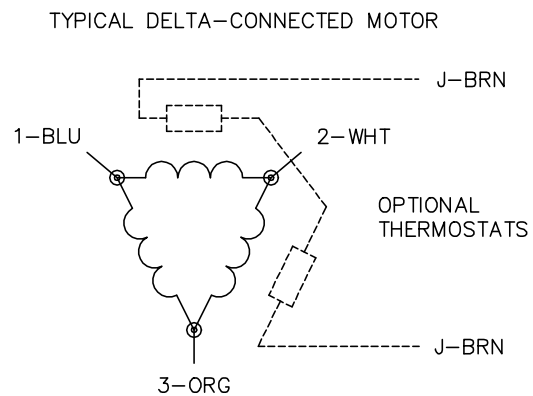
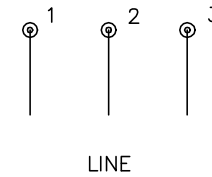
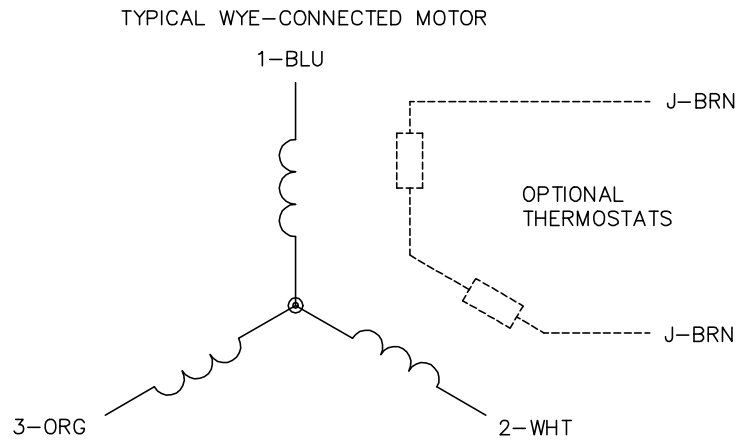
Nameplate

NP4367

CAT.NO.	ECP64110TR-4	CUST. P/N		ENCL	TEFC
SPEC.	12G908Y762G1	CC	010A	FRAME	324T
HP	40	CLASS	F	HZ	60
R.P.M.	1770	MAX. R.P.M.	2700	PH.	3
VOLTS	460	CODE	F	ABMA ODE BRG	60BC03X30X
AMPS	46	MOTOR WT.	600	LUBRICATION	MOBILITH SHC220
RATING	40C AMB-CONT	MAX. KVAR	8.3	BLANK	AIR COOLED HEAT
NEMA NOM. EFF.	94.1	# OF ROTOR BARS	40	SER.F.	1.15
GUAR.MIN.EFF	93	# OF STATOR SLOTS	48	P.F.	86
TEMP CODE	T3	INVERTER TEMP CODE:TEMP=		200	
TEMP =	200	CHP	60	TO	90
CT	1	TO	60		
VOLTS		AMPS		WATTS	
				MAX. SPACE HEATER TEMP.	
				VT	O TO 60



CD0006



NOTES:

1. THREE LEAD MOTOR MAY BE EITHER WYE CONNECTED OR DELTA CONNECTED.
2. INTERCHANGE ANY TWO LINE LEADS TO REVERSE ROTATION.
3. OPTIONAL THERMOSTATS ARE PROVIDED WHEN SPECIFIED.
4. ACTUAL NUMBER OF INTERNAL PARALLEL CIRCUITS MAY VARY.
5. LEAD COLORS ARE OPTIONAL. LEADS MUST BE NUMBERED AS SHOWN.

CD0006

REV. DESC: ADD CLASS CONN00000007		
REV. LTR: E	VERSION: 01	TDR: 000001099922
FILE: \AAA\00005\141	REVISED: 10:24:49 02/19/2019	BY: ENBRIRO
MTL: -	© □	

BALDOR - RELIANCE®

3PH, SV, 3 LEADS, WYE OR DELTA CONNECTED

SH 1 of 1