

**BALDOR • RELIANCE**

---

# Customer information packet

## ECP64103TR-4

25HP, 1770RPM, 3PH, 60HZ, 284T, 1056M, TEFC, F1

Class - CLI GP A,B,C,D

Division - Division II

## Specifications

Enclosure	TEFC
Frame	284T
Frame Material	Iron
Frequency	60.00 Hz
Motor Letter Type	Three Phase
Output @ Frequency	25.000 HP @ 60 HZ
Phase	3
Synchronous Speed @ Frequency	1800 RPM @ 60 HZ
Voltage @ Frequency	460.0 V @ 60 HZ
XP Class and Group	CLI GP A,B,C,D
XP Division	Division II
Agency Approvals	CCSA US CSA EEV NEMA PREMIUM NEMA_PREMIUM UR
Ambient Temperature	40 °C
Auxillary Box	No Auxillary Box
Auxillary Box Lead Termination	None
Base Indicator	Rigid
Bearing Grease Type	Mobilith SHC220, HC9455
Blower	None
Constant Torque Speed Range	1.0
Current @ Voltage	30.000 A @ 460.0 V
Design Code	B
Drip Cover	No Drip Cover
Duty Rating	CONT
Efficiency @ 100% Load	93.6 %
Electrically Isolated Bearing	Not Electrically Isolated
Feedback Device	NO FEEDBACK
Front Face Code	Standard
Front Shaft Indicator	None

## Part detail

Revision	K
Type	AC
Mech. spec.	10J448
Base	
Status	PRD/A
Elec. spec.	10WGZ580
Layout	10LYJ448
Eff. date	12-04-2023
CD Diagram	CD0006
Poles	04
Leads	3#10
Proprietary	False
Created date	01-11-2017

Heater Indicator	No Heater
High Voltage Full Load Amps	30.0 a
Insulation Class	F
Inverter Code	Inverter Duty
KVA Code	F
Lifting Lugs	Standard Lifting Lugs
Locked Bearing Indicator	Locked Bearing
Max Speed	2700 rpm
Motor Lead Exit	Ko Box
Motor Lead Quantity/Wire Size	3 @ 10 AWG
Motor Lead Termination	Ring Terminals
Motor Standards	NEMA
Motor Type	1056M
Mounting Arrangement	F1
Number of Poles	4
Overall Length	28.01 IN
Power Factor	85
Product Family	Chem Process S/P 32-8 IEEE 841
Pulley End Bearing Type	Roller
Pulley Face Code	Standard
Pulley Shaft Indicator	Standard
Rodent Screen	None
Service Factor	1.15
Shaft Diameter	1.875 IN
Shaft Extension Location	Pulley End
Shaft Ground Indicator	No Shaft Grounding
Shaft Rotation	Reversible
Shaft Slinger Indicator	No Slinger
Speed	1770 rpm
Speed Code	Single Speed
Starting Method	Direct on line
Thermal Device - Bearing	None
Thermal Device - Winding	None
Vibration Sensor Indicator	No Vibration Sensor

<b>Winding Thermal 1</b>	<b>None</b>
<b>Winding Thermal 2</b>	<b>None</b>
<b>XP Temp Code</b>	<b>T3C</b>

**Nameplate**

**NP4367**

<b>CAT.NO.</b>	ECP64103TR-4	<b>CUST. P/N</b>		<b>ENCL</b>	TEFC
<b>SPEC.</b>	10J448Z580G1	<b>CC</b>	010A	<b>FRAME</b>	284T
<b>HP</b>	25	<b>CLASS</b>	F	<b>HZ</b>	60
<b>R.P.M.</b>	1770	<b>MAX. R.P.M.</b>	2700	<b>PH.</b>	3
<b>VOLTS</b>	460	<b>CODE</b>	F	<b>ABMA ODE BRG</b>	55BC03X30X
<b>AMPS</b>	30	<b>MOTOR WT.</b>	461	<b>LUBRICATION</b>	MOBILITH SHC220
<b>RATING</b>	40C AMB-CONT	<b>MAX. KVAR</b>	5.9	<b>BLANK</b>	AIR COOLED HEAT
<b>NEMA NOM. EFF.</b>	93.6	<b># OF ROTOR BARS</b>	40	<b>SER.F.</b>	1.15
<b>GUAR.MIN.EFF</b>	92.4	<b># OF STATOR SLOTS</b>	48	<b>P.F.</b>	85
<b>TEMP CODE</b>	T3C	<b>INVERTER TEMP CODE:TEMP=</b>		180	
<b>TEMP =</b>	160	<b>CHP</b>	60	<b>TO</b>	90
<b>CT</b>	1.0	<b>TO</b>	60		
<b>VOLTS</b>		<b>AMPS</b>		<b>WATTS</b>	
				<b>MAX. SPACE HEATER TEMP.</b>	
				<b>VT</b>	O TO 60

**AC Induction Motor Performance Data**

Record # 61560

Typical performance - not guaranteed values

<b>Winding: 10WGZ580-R001</b>		<b>Type: 1056M</b>		<b>Enclosure: TEFC</b>	
<b>Nameplate Data</b>			<b>460 V, 60 Hz: Single Voltage Motor</b>		
<b>Rated Output (HP)</b>	25	<b>Full Load Torque</b>	74.31 LB-FT		
<b>Volts</b>	460	<b>Start Configuration</b>	direct on line		
<b>Full Load Amps</b>	30	<b>Breakdown Torque</b>	197 LB-FT		
<b>R.P.M.</b>	1770	<b>Pull-up Torque</b>	91.4 LB-FT		
<b>Hz</b>	60	<b>Locked-rotor Torque</b>	115 LB-FT		
<b>NEMA Design Code</b>	<b>Phase</b> 3	<b>Starting Current</b>	173 A		
<b>Service Factor (S.F.)</b>	<b>B KVA Code</b> F	<b>No-load Current</b>	10.4 A		
<b>NEMA Nom. Eff.</b>	93.6	<b>Line-line Res. @ 25°C</b>	0.29877 Ω		
<b>Rating - Duty</b>	<b>Power Factor</b> 85	<b>Temp. Rise @ Rated Load</b>	54°C		
<b>S.F. Amps</b>	40C AMB-CONT	<b>Temp. Rise @ S.F. Load</b>	67°C		
		<b>Locked-rotor Power Factor</b>	30.3		
		<b>Rotor inertia</b>	4.46 LB-FT <sup>2</sup>		

**Load Characteristics 460 V, 60 Hz, 25 HP**

<b>% of Rated Load</b>	<b>25</b>	<b>50</b>	<b>75</b>	<b>100</b>	<b>125</b>	<b>150</b>	<b>S.F.</b>
<b>Power Factor</b>	51	73	81	85	86	86	86
<b>Efficiency</b>	91	93.8	94.1	93.7	92.9	91.8	93.2
<b>Speed</b>	1792.8	1785.5	1778.9	1770.7	1762.4	1751.5	1766
<b>Line amperes</b>	12.5	17	22.9	29.5	36.5	44.7	33.7

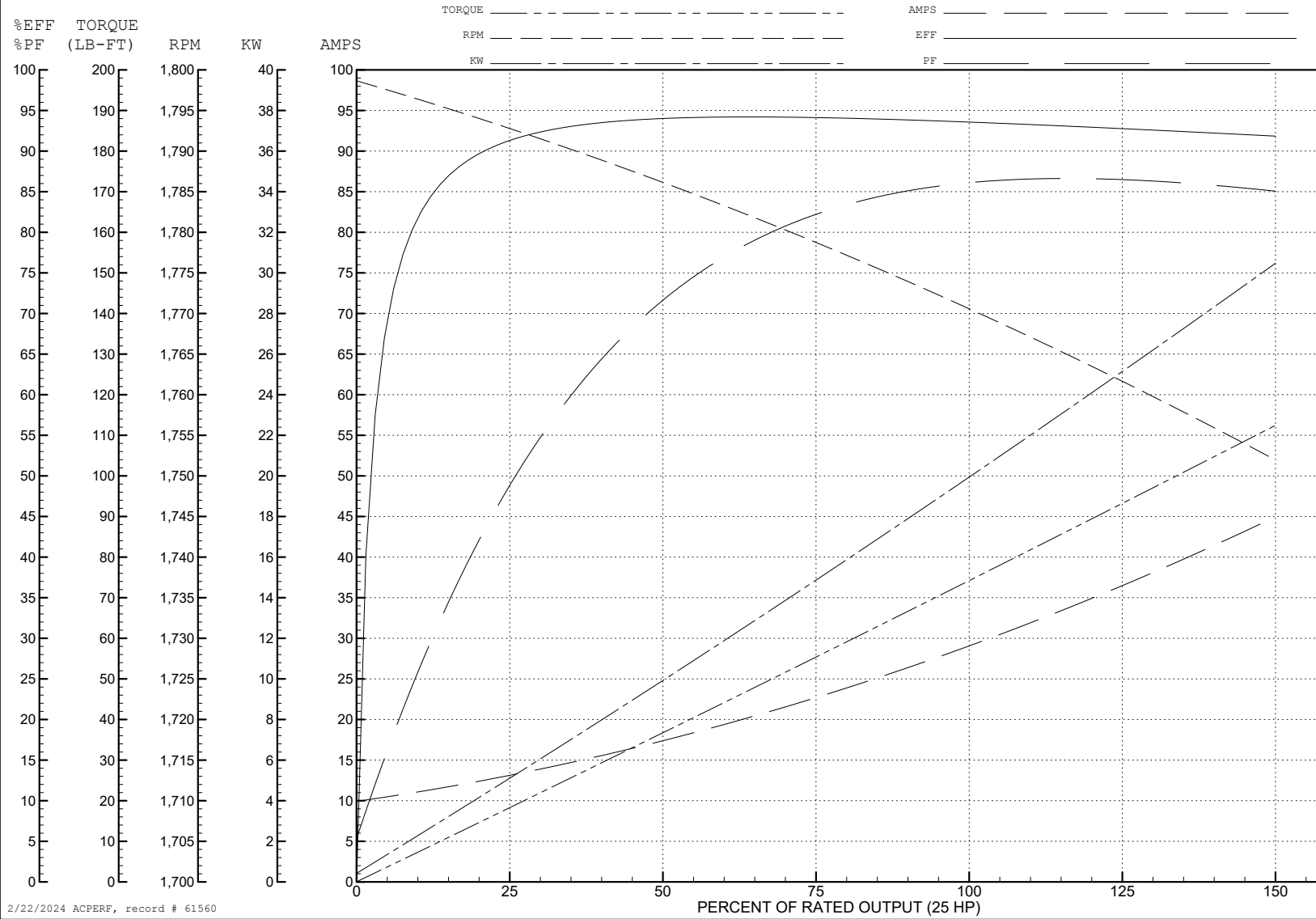
ABB Motors and Mechanical Inc.

WINDING # 10WGZ580

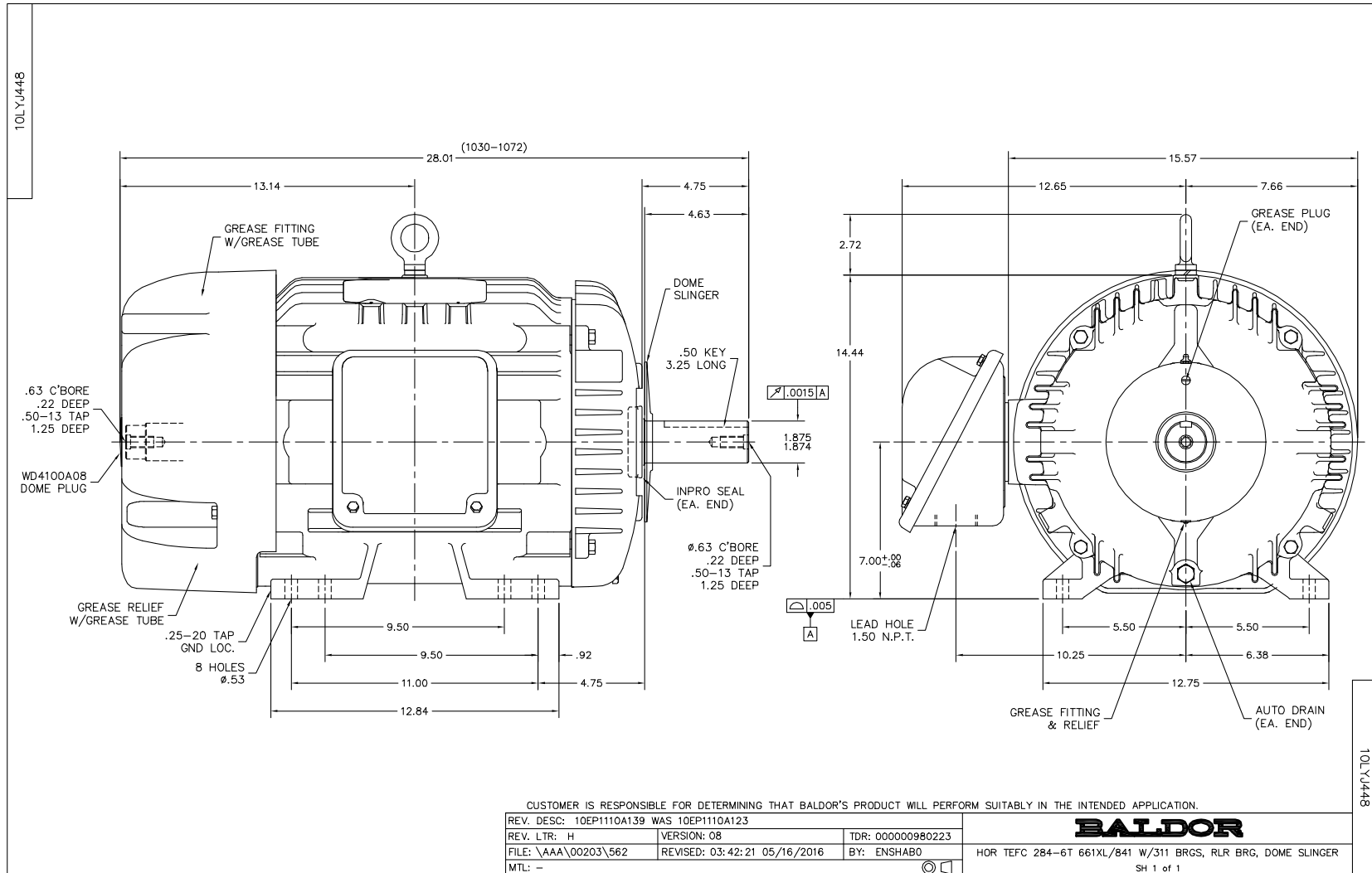
Typical performance - not guaranteed values.

25 HP 3 PH 60 HZ 1770 RPM 460 V 1056M

TORQUES (LB-FT): PO=197 PU=91.4 LR=115 LRA=173

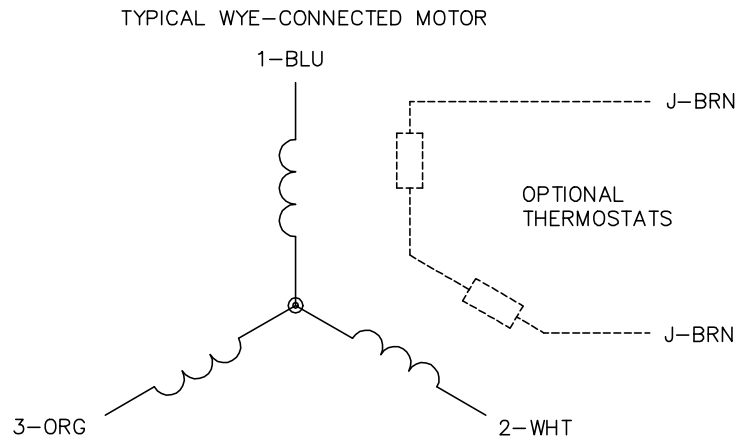


2/22/2024 ACPERF, record # 61560





CD0006



NOTES:

1. THREE LEAD MOTOR MAY BE EITHER WYE CONNECTED OR DELTA CONNECTED.
2. INTERCHANGE ANY TWO LINE LEADS TO REVERSE ROTATION.
3. OPTIONAL THERMOSTATS ARE PROVIDED WHEN SPECIFIED.
4. ACTUAL NUMBER OF INTERNAL PARALLEL CIRCUITS MAY VARY.
5. LEAD COLORS ARE OPTIONAL. LEADS MUST BE NUMBERED AS SHOWN.

CD0006

REV. DESC: ADD CLASS CONN00000007		
REV. LTR: E	VERSION: 01	TDR: 000001099922
FILE: \AAA\00005\141	REVISED: 10:24:49 02/19/2019	BY: ENBRIRO
MTL: -		© □

**BALDOR - RELIANCE®**

3PH, SV, 3 LEADS, WYE OR DELTA CONNECTED

SH 1 of 1