

BALDOR • RELIANCE

Customer information packet

ECP49354T-5

350HP, 1785RPM, 3PH, 60HZ, L449T, TEFC, F1

Class - None

Division - Division II

Specifications

Enclosure	TEFC
Frame	L449T
Frame Material	Iron
Frequency	60.00 Hz
Haz Area Class and Group	None
Haz Area Division	Division II
Motor Letter Type	Three Phase
Output @ Frequency	350.000 HP @ 60 HZ
Phase	3
Synchronous Speed @ Frequency	1800 RPM @ 60 HZ
Voltage @ Frequency	575.0 V @ 60 HZ
Agency Approvals	CCSAUSEEV
Ambient Temperature	40 °C
Auxillary Box	No Auxillary Box
Base Indicator	Rigid
Bearing Grease Type	Polyrex EM (-20F +300F)
Constant Torque Speed Range	30-60
Current @ Voltage	309.000 A @ 575.0 V
Design Code	B
Drip Cover	No Drip Cover
Duty Rating	CONT
Efficiency @ 100% Load	96.2 %
Enclosure Modification	Severe Duty Features
Feedback Device	NO FEEDBACK
Frame Prefix	L
Haz Area Temp Code	T2C
Heater Indicator	No Heater
High Voltage Full Load Amps	309.0 a
Insulation Class	F
Inverter Code	Inverter Ready
KVA Code	G
Motor Lead Quantity/Wire Size	6 @ 2/0 AWG

Part detail

Revision	C
Type	AC
Mech. spec.	
Base	
Status	PRD/A
Elec. spec.	A44WG0036
Layout	617423-494
Eff. date	04-14-2021
CD Diagram	416820-036
Poles	04
Leads	3#2/0 (02 per group)
Proprietary	False
Created date	08-25-2017

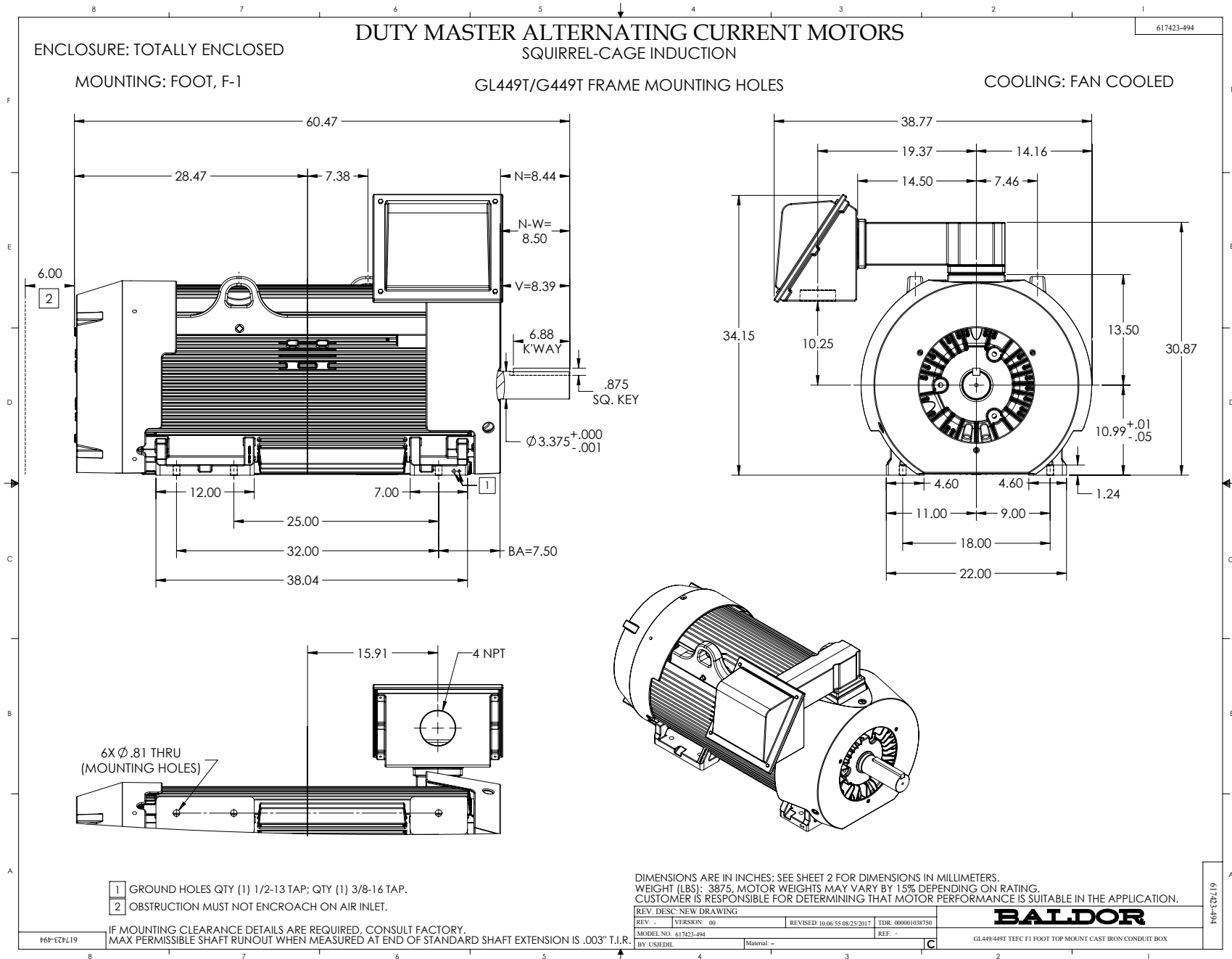
Motor Standards	NEMA
Motor Type	A44208M
Mounting Arrangement	F1
Number of Poles	4
Overall Length	60.47 IN
Power Factor	88
Product Family	General Industrial
Pulley End Bearing Type	Ball
Pulley Face Code	Standard
Service Factor	1.15
Shaft Diameter	3.375 IN
Shaft Ground Indicator	No Shaft Grounding
Shaft Rotation	Reversible
Shaft Slinger Indicator	Shaft Slinger
Speed	1785 rpm
Speed Code	Single Speed
Starting Method	Direct on line
Thermal Device - Bearing	None
Thermal Device - Winding	None

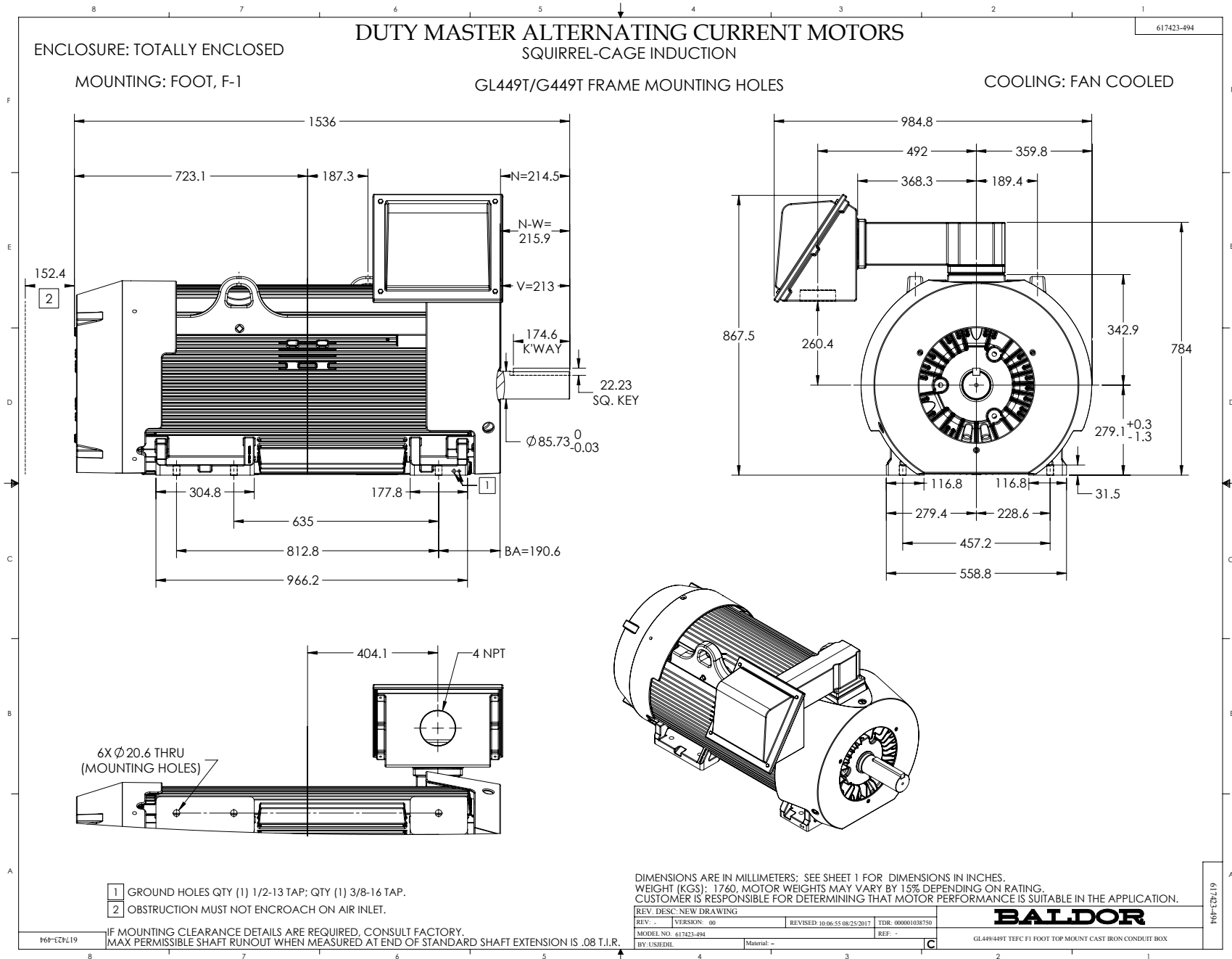
Nameplate

NP2496L	
MOBIL POLYREX EM	

NP3238

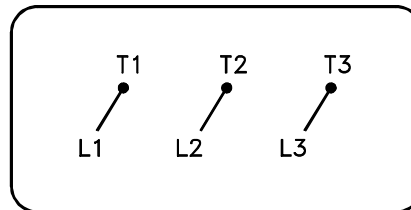
CAT NO	ECP49354T-5	SPEC NO.	A44-8910-0036						
HP	350	AMPS	309	VOLTS	575	DESIGN	B		
FRAME	L449T	RPM	1785	HZ	60	AMB	40	SF	1.15
D.E. BRG.DATA	6318	O.D.E. BRG.DATA	6318	PH	3	DUTY	CONT	INSUL.CLASS	F
D.E. BRG.	90BC03J30X	TYPE	P	ENCL	TEFC	CODE	G		
O.D.E. BRG.	90BC03J30X	POWER FACTOR	88	NEMA NOM EFFICIENCY	96.2				
3/4 LOAD EFF.	96.5	MAX CORR KVAR	56	GUARANTEED EFFICIENCY	95.4				
TEMP CODE	T2C	TEMP =	230						
CHP HZ	60-90	CT HZ	30-60	VT HZ	0-60				
INVERTER-TEMP-CODE	T2C								
SER.NO.		MOTOR WEIGHT							





416820-036

A-C MOTOR
CONNECTION DIAGRAM
STANDARD 3 LEAD CONNECTED



(N.P. 1575-BA)

416820-036

REV. DESC: LOADED TO BUS, C/R 335225		
REV. LTR: -	VERSION: 00	TDR: 000000538207
FILE: \MGA\00000\682	REVISED: 11: 54: 06 04/30/2010	
MTL: -	BY: RAGRA	

BALDOR

CONN DIAG - STANDARD 3 LEAD
SH 1 of 1