



Customer information packet

ECP49354T-4

350HP, 1785RPM, 3PH, 60HZ, L449T, A44176M, TEF

Class - CLI GP A,B,C,D

Division - Division II

Specifications

Enclosure	TEFC
Frame	L449T
Frame Material	Iron
Frequency	60.00 Hz
Haz Area Class and Group	CLI GP A,B,C,D
Haz Area Division	Division II
Motor Letter Type	Three Phase
Output @ Frequency	350.000 HP @ 60 HZ
Phase	3
Synchronous Speed @ Frequency	1800 RPM @ 60 HZ
Voltage @ Frequency	460.0 V @ 60 HZ
Agency Approvals	CCSAUSEEV
Ambient Temperature	40 °C
Auxillary Box	No Auxillary Box
Base Indicator	Rigid
Bearing Grease Type	Polyrex EM (-20F +300F)
Constant Torque Speed Range	30-60
Current @ Voltage	384.000 A @ 460.0 V
Design Code	B
Drip Cover	No Drip Cover
Duty Rating	CONT
Efficiency @ 100% Load	96.2 %
Feedback Device	NO FEEDBACK
Frame Prefix	L
Haz Area Temp Code	T2C
Heater Indicator	No Heater
High Voltage Full Load Amps	384.0 a
Insulation Class	F
Inverter Code	Not Inverter
KVA Code	G
Lifting Lugs	No Lifting Lugs
Motor Lead Quantity/Wire Size	12 @ 2 AWG

Part detail

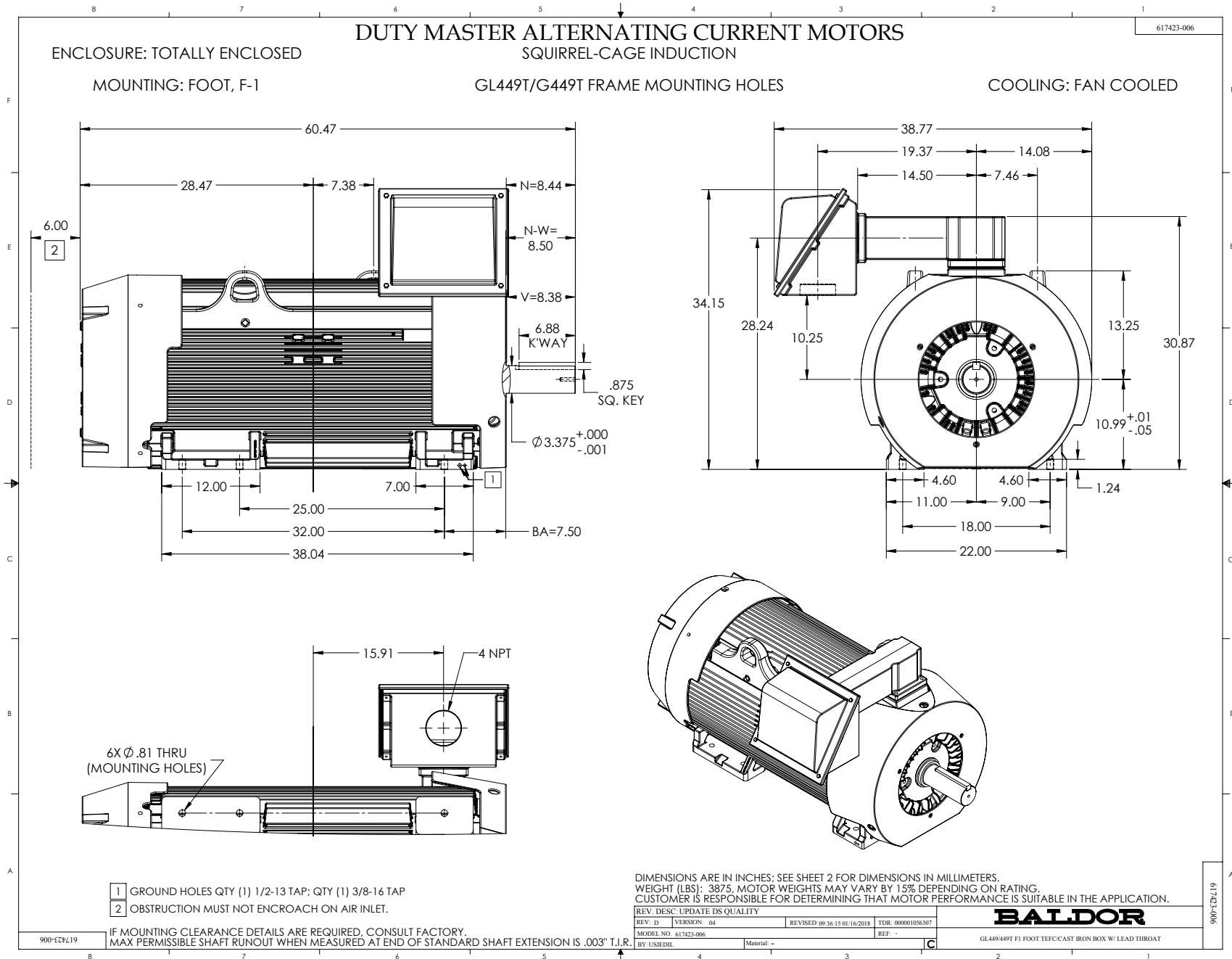
Revision	Y
Type	AC
Mech. spec.	
Base	
Status	PRD/A
Elec. spec.	A44WG1557
Layout	617423-006
Eff. date	11-23-2022
CD Diagram	416820-036
Poles	04
Leads	3#2 (04 per group)
Proprietary	False
Created date	10-19-2010

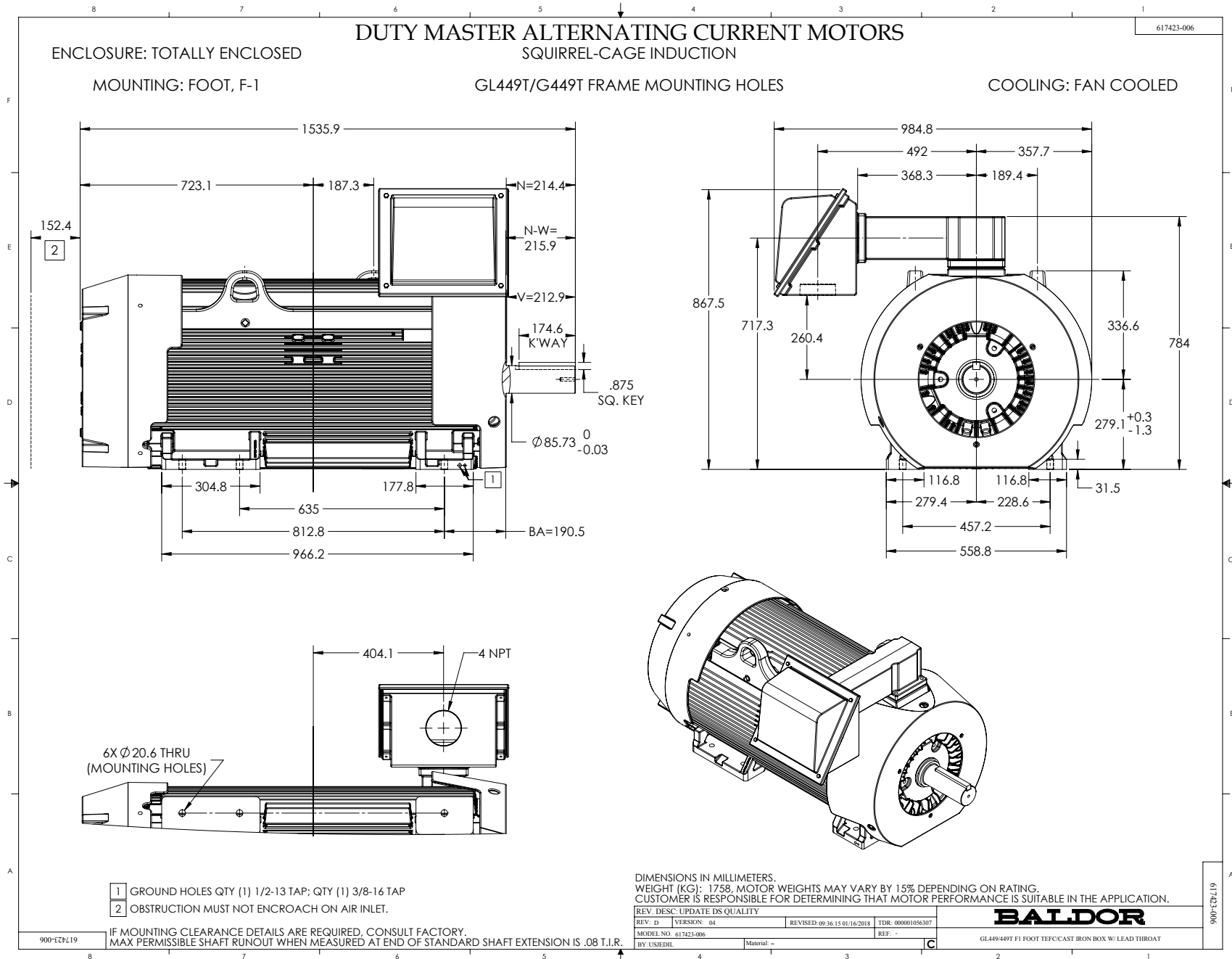
Motor Standards	NEMA
Motor Type	A44176M
Mounting Arrangement	F1
Number of Poles	4
Overall Length	60.21 IN
Power Factor	88
Pulley End Bearing Type	Ball
Pulley Face Code	Standard
Service Factor	1.15
Shaft Diameter	3.375 IN
Shaft Ground Indicator	No Shaft Grounding
Shaft Rotation	Reversible
Shaft Slinger Indicator	Shaft Slinger
Speed	1785 rpm
Speed Code	Single Speed
Starting Method	Direct on line
Thermal Device - Bearing	None
Thermal Device - Winding	None

Nameplate

NP3238

CAT NO	ECP49354T-4	SPEC NO.	P44G5908							
HP	350	AMPS	384	VOLTS	460	DESIGN	B			
FRAME	L449T	RPM	1785	HZ	60	AMB	40	SF	1.15	
D.E. BRG.DATA	6222	O.D.E. BRG.DATA	6318		PH	3	DUTY	CONT	INSUL.CLASS	F
D.E. BRG.	110BC02J30X	TYPE	P	ENCL	TEFC	CODE	G			
O.D.E. BRG.	90BC03J30X	POWER FACTOR	87.9		NEMA NOM EFFICIENCY	96.2				
3/4 LOAD EFF.	96.6	MAX CORR KVAR	50		GUARANTEED EFFICIENCY	95.8				
TEMP CODE	T2C	TEMP =	230							
CHP HZ	60-90	CT HZ	30-60	VT HZ	0-60					
INVERTER-TEMP-CODE	T2C									
SER.NO.		MOTOR WEIGHT								





416820-036

A-C MOTOR
CONNECTION DIAGRAM
STANDARD 3 LEAD CONNECTED



(N.P. 1575-BA)

REV. DESC: LOADED TO BUS, C/R 335225		
REV. LTR: -	VERSION: 00	TDR: 000000538207
FILE: \MGA\00000\682	REVISED: 11:54:06 04/30/2010	
MTL: -	BY: RAGRA	

BALDOR

CONN DIAG - STANDARD 3 LEAD
SH 1 of 1

416820-036