

ABB BALDOR RELIANCE III

Customer information packet

ECP44402T-4

400HP, 3570RPM, 3PH, 60HZ, L449TS, A44208M, TE

Class - None

Division - Division II

Specifications

Enclosure	TEFC
Frame	L449TS
Frame Material	Iron
Frequency	60.00 Hz
Haz Area Class and Group	None
Haz Area Division	Division II
Motor Letter Type	Three Phase
Output @ Frequency	400.000 HP @ 60 HZ
Phase	3
Synchronous Speed @ Frequency	3600 RPM @ 60 HZ
Voltage @ Frequency	460.0 V @ 60 HZ
Agency Approvals	CCSAUSEEV
Ambient Temperature	40 °C
Auxiliary Box	NO AUXILLARY BOX
Base Indicator	Rigid
Bearing Grease Type	Polyrex EM (-20F +300F)
Constant Torque Speed Range	30-60
Current @ Voltage	420.000 A @ 460.0 V
Design Code	B
Drip Cover	No Drip Cover
Duty Rating	CONT
Efficiency @ 100% Load	96.2 %
Enclosure Modification	Severe Duty Features
Feedback Device	NO FEEDBACK
Frame Prefix	L
Haz Area Temp Code	T2C
Heater Indicator	No Heater
High Voltage Full Load Amps	420.0 a
Insulation Class	F
Inverter Code	Not Inverter
KVA Code	G
Motor Lead Quantity/Wire Size	12 @ 1/0 AWG

Part Detail

Revision	H
Type	AC
Mech. spec.	
Base	
Status	PRD/A
Elec. spec.	A44WG5211
Layout	617435-427
Eff. date	10-24-2024
CD Diagram	416820-036
Poles	02
Leads	3#1/0 (04 per group)
Proprietary	False
Created date	05-17-2017

Motor Standards	NEMA
Motor Type	A44208M
Mounting Arrangement	F1
Number of Poles	2
Overall Length	56.72 IN
Power Factor	92
Product Family	General Industrial
Pulley End Bearing Type	Ball
Service Factor	1.15
Shaft Diameter	2.375 IN
Shaft Ground Indicator	No Shaft Grounding
Shaft Rotation	Reversible
Shaft Slinger Indicator	Shaft Slinger
Speed	3570 rpm
Speed Code	Single Speed
Starting Method	Direct on line
Thermal Device - Bearing	None
Thermal Device - Winding	None

Nameplate

NP2496L
MOBIL POLYREX EM

000901002AAA

IP-55 CONSTRUCTION



NP3238

CAT NO	ECP44402T-4	SPEC NO.	A44-7175-5211						
HP	400	AMPS	420	VOLTS	460	DESIGN	B		
FRAME	L449TS	RPM	3570	HZ	60	AMB	40	SF	1.15
D.E. BRG.DATA	6313	O.D.E. BRG.DATA	6313	PH	3	DUTY	CONT	INSUL.CLASS	F
D.E. BRG.	65BC03J30X	TYPE	P	ENCL	TEFC	CODE	G		
O.D.E. BRG.	65BC03J30X	POWER FACTOR	92	NEMA NOM EFFICIENCY	96.2				
3/4 LOAD EFF.	96.5	MAX CORR KVAR	25.0	GUARANTEED EFFICIENCY	95.4				
TEMP CODE	T2C	TEMP =	230						
CHP HZ	60-75	CT HZ	30-60	VT HZ	0-60				
INVERTER-TEMP-CODE	T2C								
SER.NO.		MOTOR WEIGHT							

CUSTOMER INFORMATION PACKET ECP44402T-4 - 400HP, 3570RPM, 3PH, 60HZ, L449TS, A44208M, TE						
FRAME	HP	TYPE	PHASE/ HERTZ	RPM	VOLTS	
L449TS	400	P	3/60	3570	460	

AMPS	DUTY	AMB °C/ INSUL	S.F.	NEMA DESIGN	CODE LETTER	ENCLOSURE
420	CONT	40/F	1.15	B	G	TEFC

E/S	ROTOR	TEST S.O.	TEST DATE	STATOR RES. @25 °C OHMS (BETWEEN LINES)	
-	418143-016-MEQ	---	---	.00612	

PERFORMANCE


LOAD	HP	AMPERES	RPM	% POWER FACTOR	% EFFICIENCY
NO LOAD	0	78.9	3600	6.92	0
1/4	100	127	3593	78.6	94.0
2/4	200	214	3586	91.1	96.1
3/4	300	313	3579	93.0	96.5
4/4	400	419	3571	92.6	96.4
5/4	500	529	3563	92.1	96.1

SPEED TORQUE

	RPM	TORQUE % FULL LOAD	TORQUE LB.-FT.	AMPERES
LOCKED ROTOR	0	206	1210	2861
PULL UP	1670	167	983	2517
BREAKDOWN	3463	264	1554	1697
FULL LOAD	3571	100	588	419

AMPERES SHOWN FOR 460 VOLT CONNECTION. IF OTHER CONNECTIONS ARE AVAILABLE, THE AMPERES WILL VARY INVERSELY WITH THE RATED VOLTAGE.

TYPICAL DATA
 XE MOTOR-TYPICAL DATA-NEMA NOM.EFF. 96.2 PCT.
 GUARANTEED MIN. EFF. 95.4 PCT.

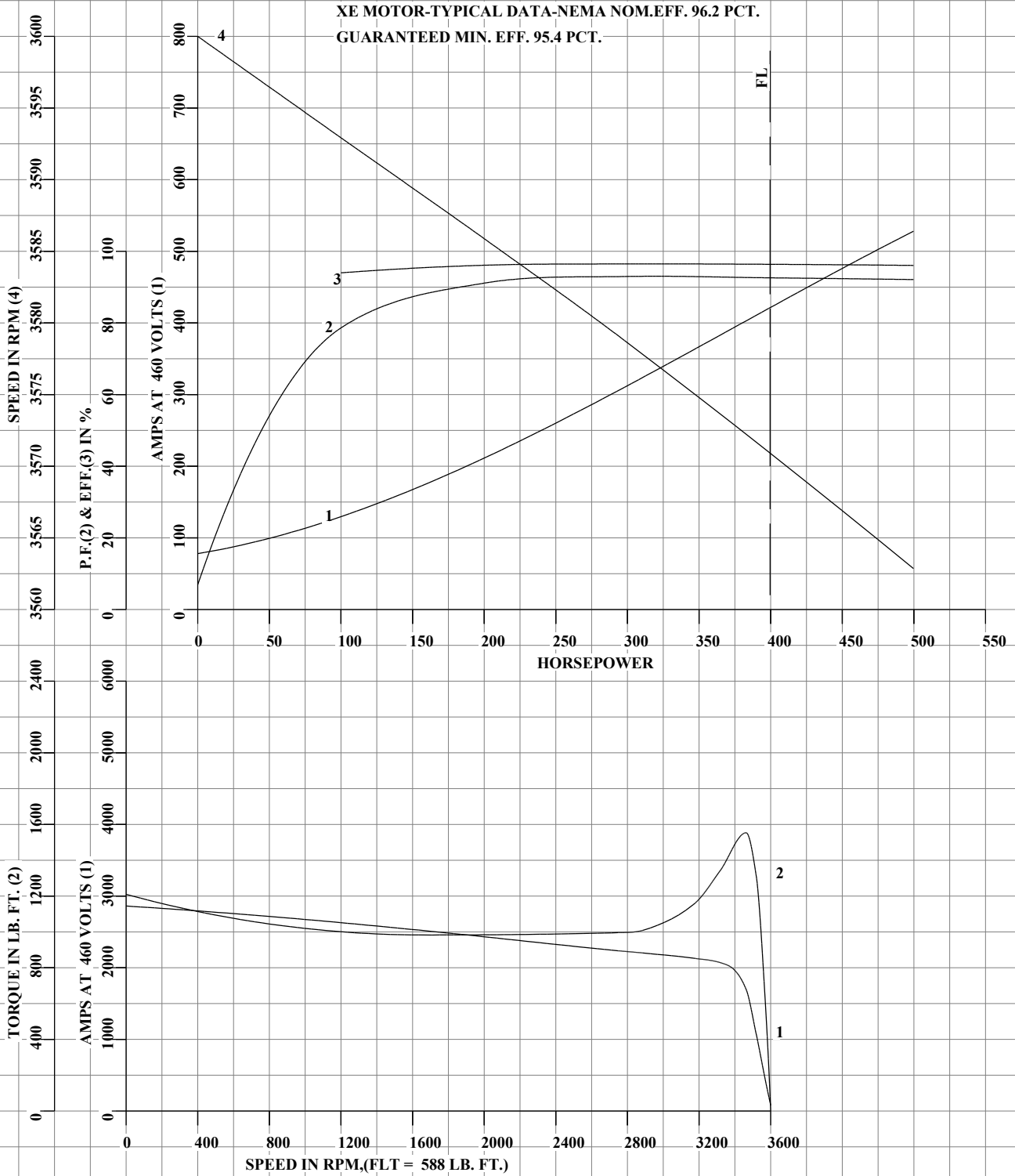
	DRAWN BY: <u>J. P. TSAO</u>	AC MOTOR PERFORMANCE DATA	A44WG5211-R002
	CHECKED BY: <u>W.L. SMITH</u> APPROVED BY: <u>W.L. SMITH</u> DATE: <u>05/15/17</u>		

FRAME L449TS
HP 400
TYPE P
PHASE / HERTZ 3/60

RPM 3570
VOLTS 460
AMPS 420
DUTY CONT
AMB °C / INSUL 40/F

S.F. 1.15
NEMA DESIGN B
CODE LETTER G
ENCLOSURE TEFC
E/S -

ROTOR 418143-016-MEQ
TEST S.O. TYPICAL DATA
TEST DATE ---
STATOR RES. @ 25°C .00612
OHMS (BETWEEN LINES)



AMPERES SHOWN FOR 460 VOLT CONNECTION, IF OTHER VOLTAGE CONNECTIONS ARE AVAILABLE, THE AMPERES WILL VARY INVERSELY WITH THE RATED VOLTAGE.



DRAWN BY: J. P. TSAO
CHECKED BY: W.L. SMITH
APPROVED BY: W.L. SMITH
DATE: 05/15/17

AC MOTOR
PERFORMANCE
DATA

A44WG5211-R002

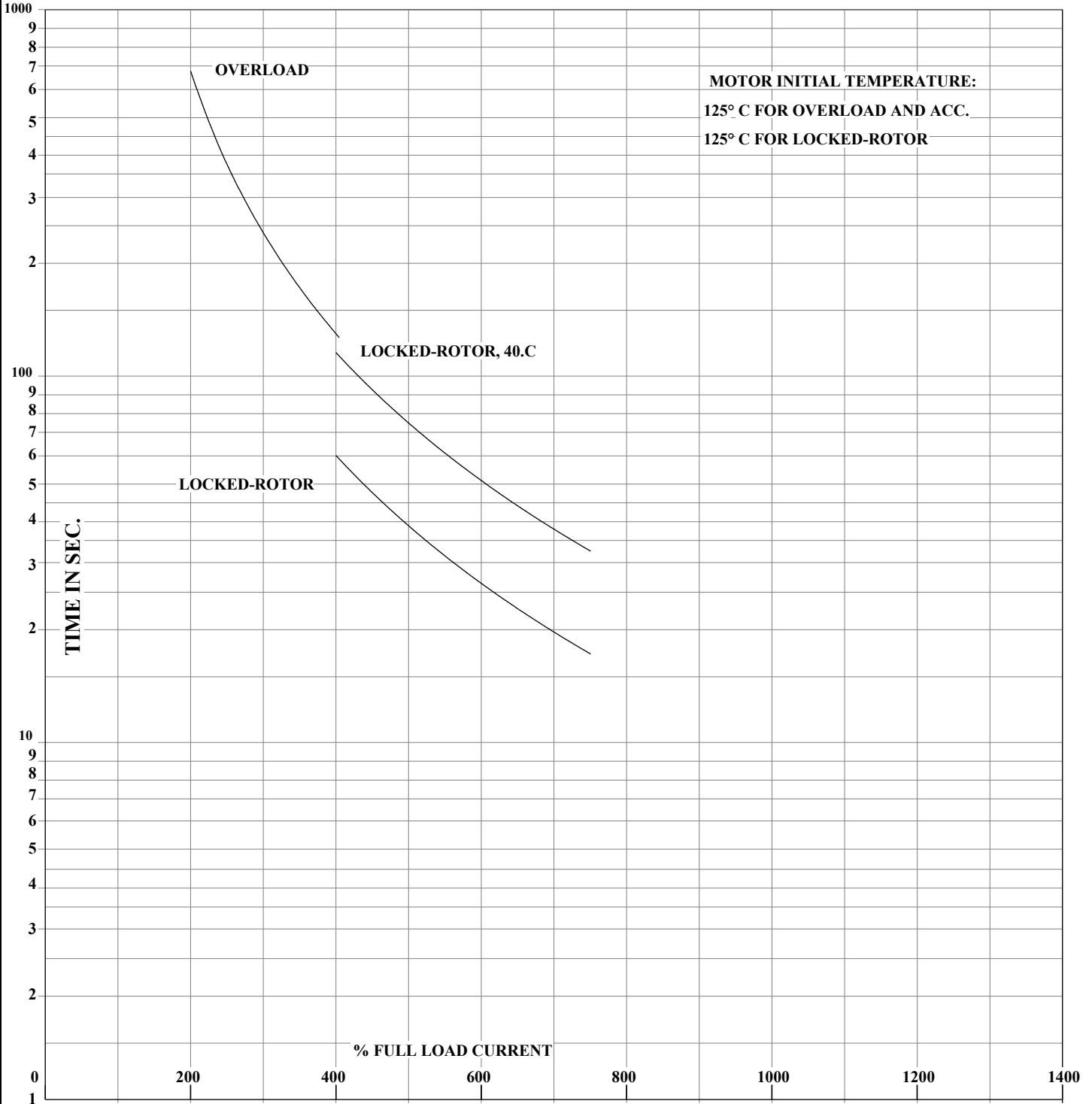
ISSUE DATE 10/14/24

FRAME L449TS
HP 400
TYPE P
PHASE / HERTZ 3/60

RPM 3570
VOLTS 460
AMPS 420
DUTY CONT
AMB °C / INSUL 40/F

S.F. 1.15
NEMA DESIGN B
CODE LETTER G
ENCLOSURE TEFC
E/S -

ROTOR 418143-016-MEQ
TEST S.O. TYPICAL DATA
TEST DATE ---
STATOR RES. @ 25°C .00612
OHMS (BETWEEN LINES)



MOTOR INITIAL TEMPERATURE:
125° C FOR OVERLOAD AND ACC.
125° C FOR LOCKED-ROTOR

THERMAL LIMIT CURVE
XE MOTOR-TYPICAL DATA-NEMA NOM.EFF. 96.2 PCT.

AMPERES SHOWN FOR 460 VOLT CONNECTION, IF OTHER VOLTAGE CONNECTIONS ARE AVAILABLE, THE AMPERES WILL VARY INVERSELY WITH THE RATED VOLTAGE.

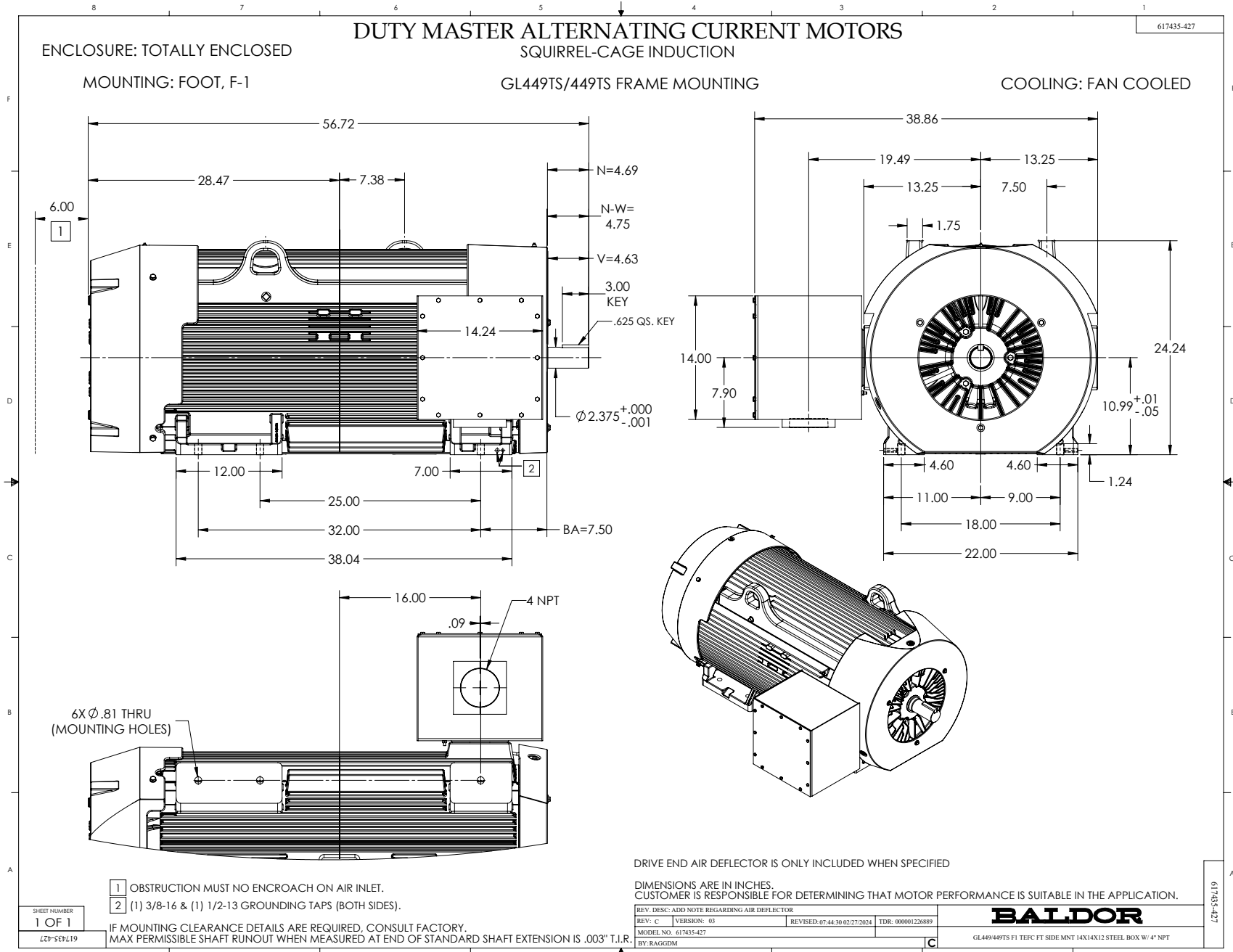


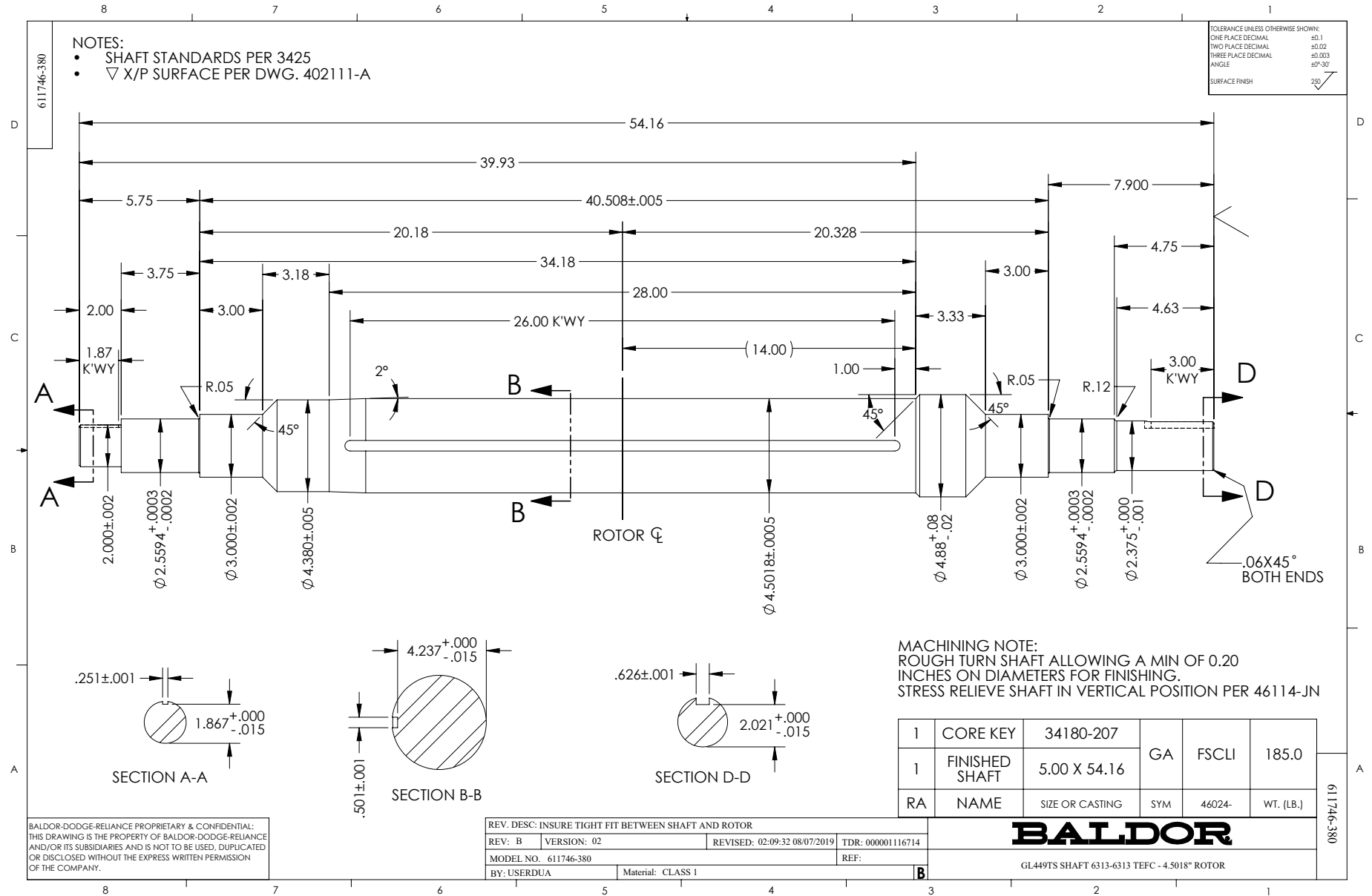
DRAWN BY: J. P. TSAO
CHECKED BY: W.L. SMITH
APPROVED BY: W.L. SMITH
DATE: 05/15/17

AC MOTOR
PERFORMANCE
DATA

A44WG5211-R002

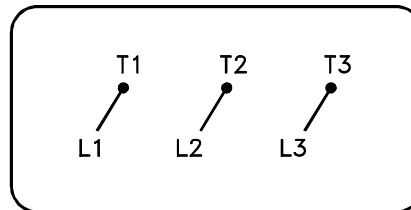
ISSUE DATE 10/14/24





416820-036

A-C MOTOR
CONNECTION DIAGRAM
STANDARD 3 LEAD CONNECTED



(N.P. 1575-BA)

416820-036

REV. DESC: LOADED TO BUS, C/R 335225		
REV. LTR: -	VERSION: 00	TDR: 000000538207
FILE: \MGA\00000\682	REVISED: 11: 54: 06 04/30/2010	
MTL: -	BY: RAGRA	

BALDOR

CONN DIAG - STANDARD 3 LEAD
SH 1 of 1