



Customer information packet

ECP4404T-5

75HP, 1185RPM, 3PH, 60HZ, 405T, TEFC, F1

Class - None

Division - Division II

Specifications

Enclosure	TEFC
Frame	405T
Frame Material	Iron
Frequency	60.00 Hz
Haz Area Class and Group	None
Haz Area Division	Division II
Motor Letter Type	Three Phase
Output @ Frequency	75.000 HP @ 60 HZ
Phase	3
Synchronous Speed @ Frequency	1200 RPM @ 60 HZ
Voltage @ Frequency	575.0 V @ 60 HZ
Agency Approvals	CCSAUSEEV
Ambient Temperature	40 °C
Auxillary Box	No Auxillary Box
Base Indicator	Rigid
Bearing Grease Type	Polyrex EM (-20F +300F)
Constant Torque Speed Range	10-60
Current @ Voltage	70.200 A @ 575.0 V
Design Code	B
Drip Cover	No Drip Cover
Duty Rating	CONT
Efficiency @ 100% Load	94.5 %
Enclosure Modification	Severe Duty Features
Feedback Device	NO FEEDBACK
Haz Area Temp Code	T3
Heater Indicator	No Heater
High Voltage Full Load Amps	70.2 a
Insulation Class	F
Inverter Code	Inverter Ready
KVA Code	G
Motor Lead Quantity/Wire Size	3 @ 4 AWG
Motor Standards	NEMA

Part detail

Revision	C
Type	AC
Mech. spec.	
Base	
Status	PRD/A
Elec. spec.	A40WG0771
Layout	617429-240
Eff. date	10-22-2021
CD Diagram	416820-036
Poles	06
Leads	3#4
Proprietary	False
Created date	10-01-2019

Motor Type	A40064M
Mounting Arrangement	F1
Number of Poles	6
Overall Length	38.19 IN
Power Factor	85
Product Family	General Industrial
Pulley End Bearing Type	Ball
Pulley Face Code	Standard
Service Factor	1.15
Shaft Diameter	2.875 IN
Shaft Ground Indicator	No Shaft Grounding
Shaft Rotation	Reversible
Shaft Slinger Indicator	Shaft Slinger
Speed	1185 rpm
Speed Code	Single Speed
Starting Method	Direct on line
Thermal Device - Bearing	None
Thermal Device - Winding	None

Nameplate

NP2496L	
MOBIL POLYREX EM	

000901002AAA

IP55 CONSTRUCTION

NP3238

CAT NO	ECP4404T-5	SPEC NO.	A40-7188-0771			
HP	75	AMPS	70.2	VOLTS 575	DESIGN B	
FRAME	405T	RPM	1185	HZ 60	AMB 40	SF 1.15
D.E. BRG.DATA	6316	O.D.E. BRG.DATA	6316	PH 3	DUTY CONT	INSUL.CLASS F
D.E. BRG.	80BC03J30X	TYPE	P	ENCL TEFC	CODE G	
O.D.E. BRG.	80BC03J30X	POWER FACTOR	85	NEMA NOM EFFICIENCY	94.5	
3/4 LOAD EFF.	94.7	MAX CORR KVAR	15.0	GUARANTEED EFFICIENCY	93.6	
TEMP CODE	T3	TEMP =	200			
CHP HZ	60-90	CT HZ	10-60	VT HZ	0-60	
INVERTER-TEMP-CODE	T3					
SER.NO.		MOTOR WEIGHT				

DUTY MASTER ALTERNATING CURRENT MOTORS
SQUIRREL-CAGE INDUCTION

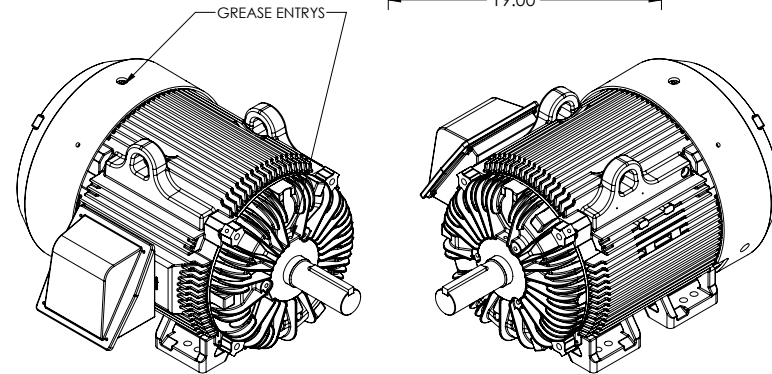
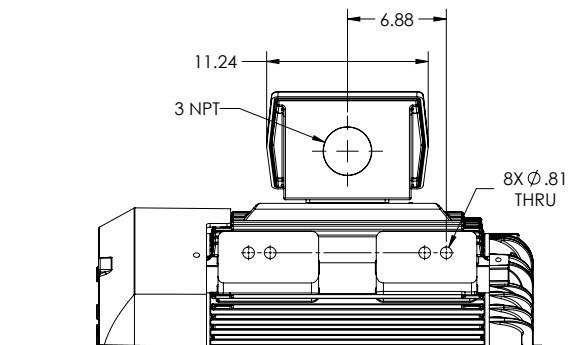
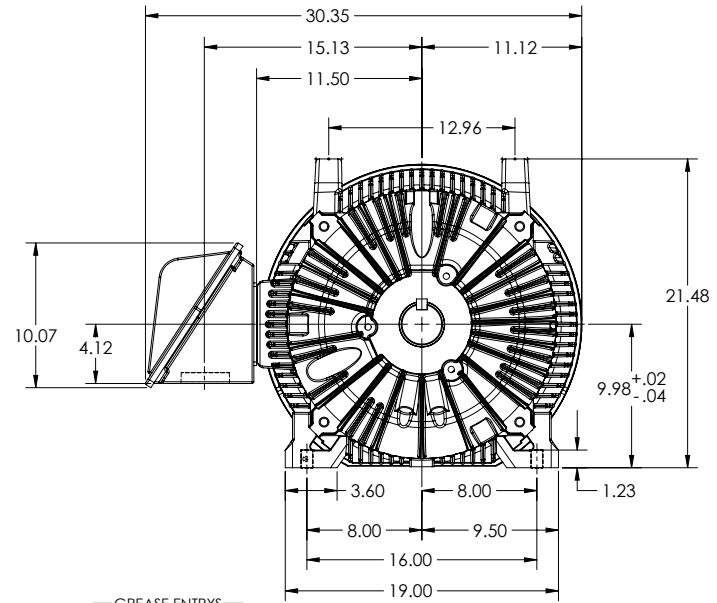
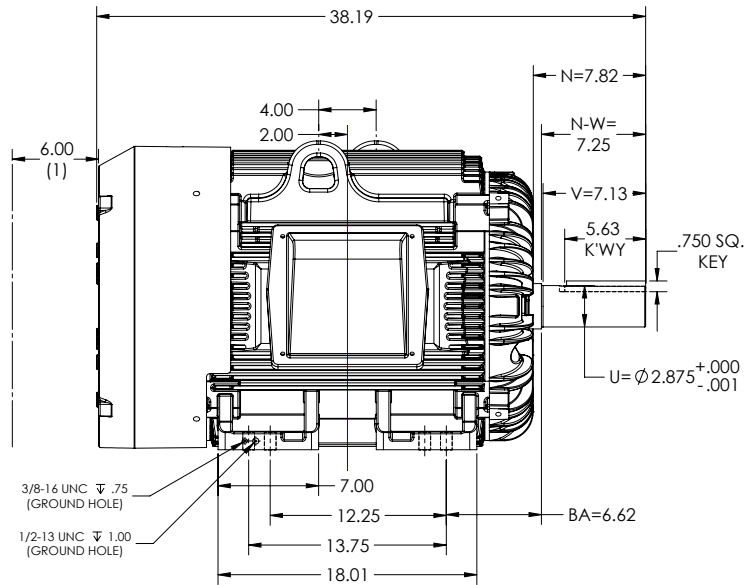
617429-240

ENCLOSURE: TOTALLY ENCLOSED

MOUNTING: FOOT, F1

FRAME G405T
INCLUDES G404T FRAME MOUNTING HOLES

COOLING: FAN COOLED



(1) OBSTRUCTION MUST NOT ENCR OACH ON AIR INLET.

IF MOUNTING CLEARANCE DETAILS ARE REQUIRED, CONSULT FACTORY.

MAX PERMISSIBLE SHAFT RUNOUT WHEN MEASURED AT END OF STANDARD SHAFT EXTENSION IS .003" T.I.R.

DIMENSIONS ARE IN INCHES
MOTOR WEIGHT: 1350 LBS - MAY VARY BY 15% DEPENDING ON RATING.
CUSTOMER IS RESPONSIBLE FOR DETERMINING THAT MOTOR PERFORMANCE IS SUITABLE IN THE APPLICATION.

REV. DESC: NEW DRAWING

REV: -	VERSION: 00	REVISED: 09-58-52 02/10/2016	TDR: 00000964494
MODEL NO. 617429-240	BY: RAGRA	Material:	REF:

BALDOR

G405/4T TEFC F1 - FT - STD C.I. C BOX

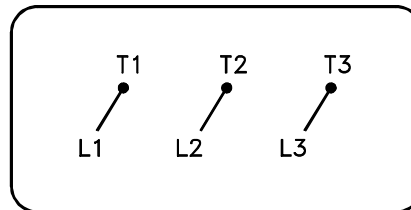
SHEET NUMBER
1 OF 1

09C-6272119

617429-240

416820-036

A-C MOTOR
CONNECTION DIAGRAM
STANDARD 3 LEAD CONNECTED



(N.P. 1575-BA)

416820-036

REV. DESC: LOADED TO BUS, C/R 335225		
REV. LTR: -	VERSION: 00	TDR: 000000538207
FILE: \MGA\00000\682	REVISED: 11:54:06 04/30/2010	
MTL: -	BY: RAGRA	

BALDOR

CONN DIAG - STANDARD 3 LEAD
SH 1 of 1