

ABB BALDOR RELIANCE III

Customer information packet

ECP4115T-5

50HP, 1770RPM, 3PH, 60HZ, 326T, 1272M, TEFC, F1

Class - CLI GP A,B,C,D

Division - Division II

Specifications

Enclosure	TEFC
Frame	326T
Frame Material	Iron
Frequency	60.00 Hz
Haz Area Class and Group	CLI GP A,B,C,D
Haz Area Division	Division II
Motor Letter Type	Three Phase
Output @ Frequency	50.000 HP @ 60 HZ
Phase	3
Synchronous Speed @ Frequency	1800 RPM @ 60 HZ
Voltage @ Frequency	575.0 V @ 60 HZ
Agency Approvals	CCSA US CSA EEV NEMA PREMIUM NEMA_PREMIUM UR
Ambient Temperature	40 °C
Auxiliary Box	NO AUXILLARY BOX
Auxiliary Box Lead Termination	None
Base Indicator	Rigid
Bearing Grease Type	Polyrex EM (-20F +300F)
Blower	None
Constant Torque Speed Range	1.0
Current @ Voltage	45.000 A @ 575.0 V
Design Code	B
Drip Cover	No Drip Cover
Duty Rating	CONT
Efficiency @ 100% Load	94.5 %
Electrically Isolated Bearing	Not Electrically Isolated
Feedback Device	NO FEEDBACK
Front Face Code	Standard
Front Shaft Indicator	None

Part Detail

Revision	AD
Type	AC
Mech. spec.	12F904
Base	
Status	PRD/A
Elec. spec.	12WGY613
Layout	12LYF904
Eff. date	10-16-2025
CD Diagram	CD0006
Poles	04
Leads	3#8
Proprietary	False
Created date	10-31-2013

Haz Area Temp Code	T3
Heater Indicator	No Heater
High Voltage Full Load Amps	45.0 a
Insulation Class	F
Inverter Code	Inverter Duty
KVA Code	F
Lifting Lugs	Standard Lifting Lugs
Locked Bearing Indicator	Locked Bearing
Max Speed	2700 rpm
Motor Lead Exit	Ko Box
Motor Lead Quantity/Wire Size	3 @ 8 AWG
Motor Lead Termination	Flying Leads
Motor Standards	NEMA
Motor Type	1272M
Mounting Arrangement	F1
Number of Poles	4
Overall Length	30.28 IN
Power Factor	87
Product Family	Super-E Chemical Processing
Pulley End Bearing Type	Ball
Pulley Face Code	Standard
Pulley Shaft Indicator	Standard
Rodent Screen	None
Service Factor	1.15
Shaft Diameter	2.125 IN
Shaft Extension Location	Pulley End
Shaft Ground Indicator	No Shaft Grounding
Shaft Rotation	Reversible
Shaft Slinger Indicator	Shaft Slinger
Speed	1770 rpm
Speed Code	Single Speed
Starting Method	Direct on line
Thermal Device - Bearing	None
Thermal Device - Winding	None

Vibration Sensor Indicator

No Vibration Sensor

Winding Thermal 1

None

Winding Thermal 2

None

Nameplate

NP3241

CAT.NO.	ECP4115T-5	P/N		ENCLOSURE	TEFC
SPEC.	12F904Y613	CC	010A	FRAME	326T
HP	50	CLASS	F	HZ	60
RPM	1770	RPM MAX	2700	PH	3
VOLT	575	MOTOR WEIGHT	652	KVA-CODE	F
AMP	45	SER.F.	1.15	PF	87
RATING	40C AMB-CONT	NEMA-NOM-EFF	94.5	ODE BRG	6312
				DE BRG	6312
				GREASE	POLYREX EM
				INV.TYPE	PWM
TEMP CODE	T3	INVERTER-TEMP-CODE	200		
TEMP =	200	C HP FR	60	C HP TO	90
CT HZ FROM	1.0	CT HZ TO	60		
HTR-VOLTS		HTR-AMPS		HTR-WATTS	
				MAX. SPACE HEATER TEMP.	
				VT HZ FROM	0
				VT HZ TO	60

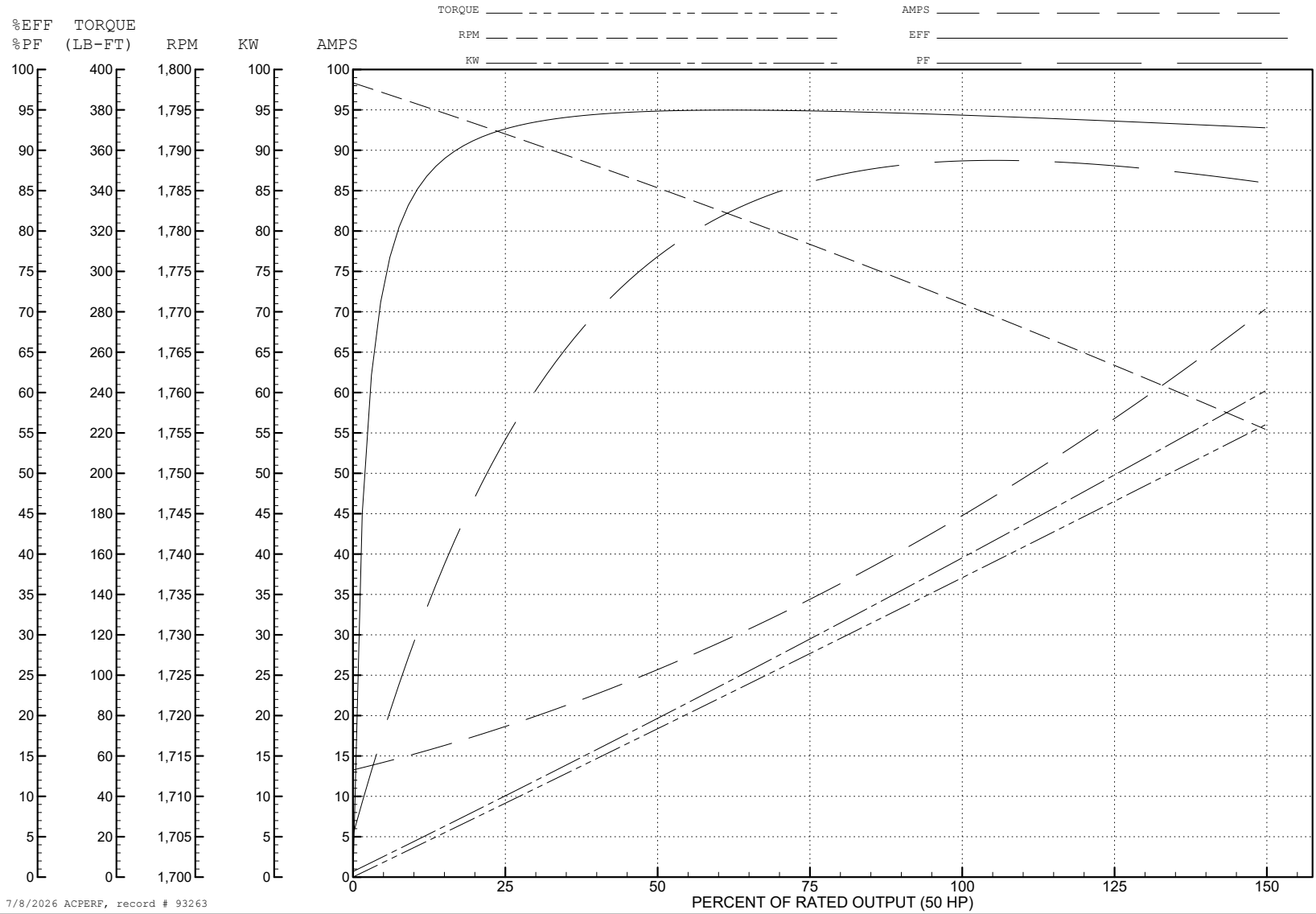
ABB Motors and Mechanical Inc.

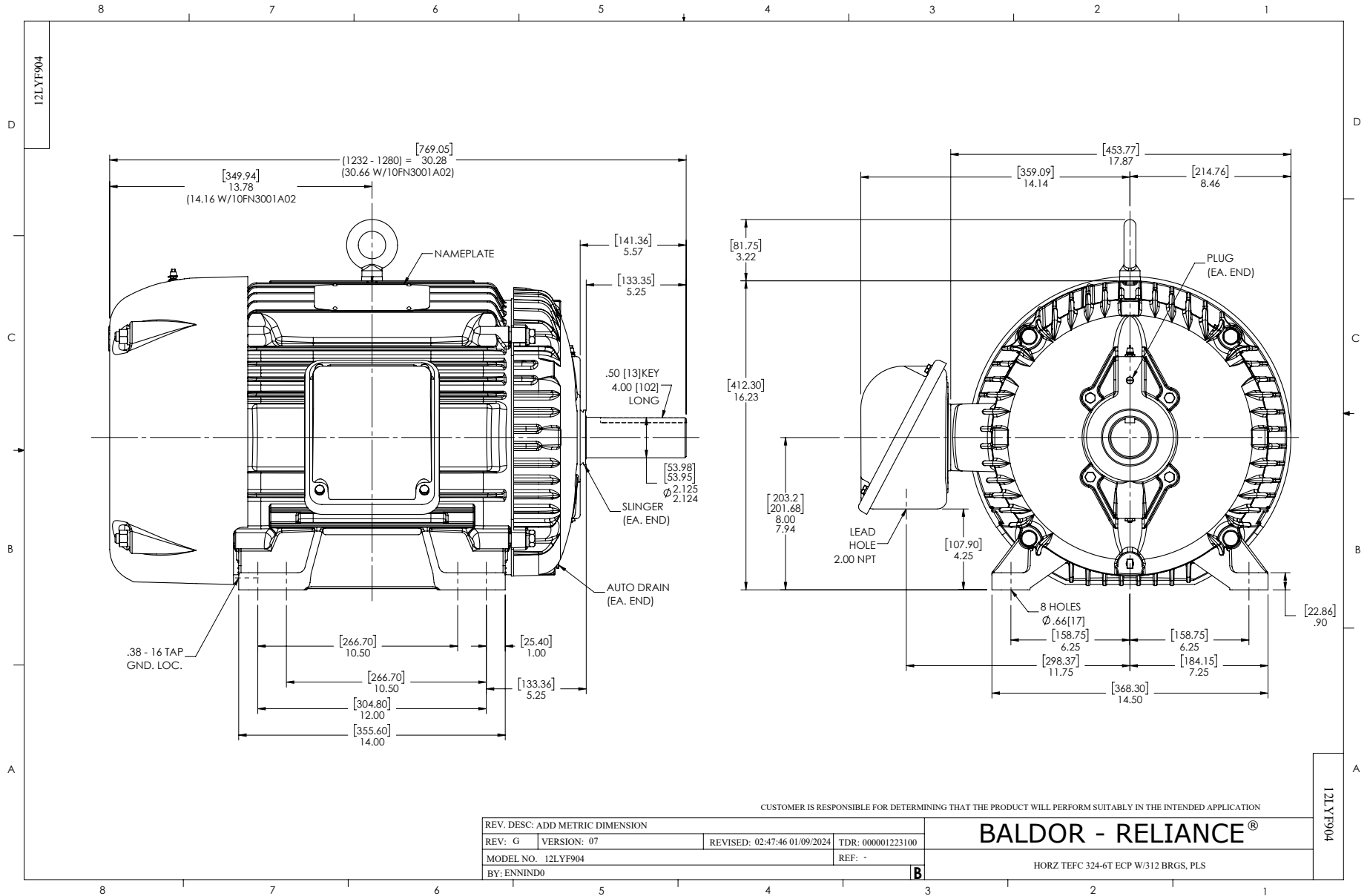
WINDING # 12WGY613

Typical performance - not guaranteed values.

50 HP 3 PH 60 HZ 1770 RPM 575 V 1272M

TORQUES (LB-FT): PO=435 PU=178 LR=248 LRA=290





CD0006



NOTES:

1. THREE LEAD MOTOR MAY BE EITHER WYE CONNECTED OR DELTA CONNECTED.
2. INTERCHANGE ANY TWO LINE LEADS TO REVERSE ROTATION.
3. OPTIONAL THERMOSTATS ARE PROVIDED WHEN SPECIFIED.
4. ACTUAL NUMBER OF INTERNAL PARALLEL CIRCUITS MAY VARY.
5. LEAD COLORS ARE OPTIONAL. LEADS MUST BE NUMBERED AS SHOWN.

CD0006

REV. DESC: ADD CLASS CONN00000007		
REV. LTR: E	VERSION: 01	TDR: 000001099922
FILE: \AAA\00005\141	REVISED: 10:24:49 02/19/2019	BY: ENBRIRO
MTL: -	© □	

BALDOR - RELIANCE®

3PH, SV, 3 LEADS, WYE OR DELTA CONNECTED

SH 1 of 1