

ABB BALDOR RELIANCE III

Customer information packet

ECP4112T-4

20HP, 880RPM, 3PH, 60HZ, 324T, 1256M, TEFC, F1

Class - CLI GP A,B,C,D

Division - Division II

Specifications

Enclosure	TEFC
Frame	324T
Frame Material	Iron
Frequency	60.00 Hz
Haz Area Class and Group	CLI GP A,B,C,D
Haz Area Division	Division II
Motor Letter Type	Three Phase
Output @ Frequency	20.000 HP @ 60 HZ
Phase	3
Synchronous Speed @ Frequency	900 RPM @ 60 HZ
Voltage @ Frequency	460.0 V @ 60 HZ
Agency Approvals	CCSA US CSA EEV NEMA PREMIUM NEMA_PREMIUM UR
Ambient Temperature	40 °C
Auxiliary Box	NO AUXILLARY BOX
Auxiliary Box Lead Termination	None
Base Indicator	Rigid
Bearing Grease Type	Polyrex EM (-20F +300F)
Blower	None
Constant Torque Speed Range	6
Current @ Voltage	30.000 A @ 460.0 V
Design Code	B
Drip Cover	No Drip Cover
Duty Rating	CONT
Efficiency @ 100% Load	90.2 %
Electrically Isolated Bearing	Not Electrically Isolated
Feedback Device	NO FEEDBACK
Front Shaft Indicator	None
Haz Area Temp Code	T3

Part Detail

Revision	E
Type	AC
Mech. spec.	12F904
Base	
Status	PRD/A
Elec. spec.	12WGZ305
Layout	12LYF904
Eff. date	10-16-2025
CD Diagram	CD0006
Poles	08
Leads	3#10 Y
Proprietary	False
Created date	04-18-2023

Heater Indicator	No Heater
High Voltage Full Load Amps	30.0 a
Insulation Class	F
Inverter Code	Inverter Duty
KVA Code	G
Lifting Lugs	Standard Lifting Lugs
Locked Bearing Indicator	Locked Bearing
Max Speed	1350 rpm
Motor Lead Quantity/Wire Size	3 @ 10 AWG
Motor Lead Termination	Flying Leads
Motor Standards	NEMA
Motor Type	1256M
Mounting Arrangement	F1
Number of Poles	8
Overall Length	30.66 IN
Power Factor	68
Product Family	Super-E Chemical Processing
Pulley End Bearing Type	Ball
Pulley Face Code	Standard
Pulley Shaft Indicator	Standard
Rodent Screen	None
Service Factor	1.15
Shaft Diameter	2.125 IN
Shaft Ground Indicator	No Shaft Grounding
Shaft Rotation	Reversible
Shaft Slinger Indicator	Shaft Slinger
Speed	880 rpm
Speed Code	Single Speed
Starting Method	Direct on line
Thermal Device - Bearing	None
Thermal Device - Winding	None
Vibration Sensor Indicator	No Vibration Sensor
Winding Thermal 1	None
Winding Thermal 2	None

Nameplate

NP3241

CAT.NO.	ECP4112T-4	P/N		ENCLOSURE	TEFC
SPEC.	12F904Z305	CC	010A	FRAME	324T
HP	20	CLASS	F	HZ	60
RPM	880	RPM MAX	1350	PH	3
VOLT	460	MOTOR WEIGHT	578	ODE BRG	6312
AMP	30	SER.F.	1.15	PF	68
RATING	40C AMB-CONT	NEMA-NOM-EFF	90.2	GREASE	POLYREX EM
		INV.TYPE	PWM		
TEMP CODE	T3	INVERTER-TEMP-CODE	200		
TEMP =	200	C HP FR	60	C HP TO	90
CT HZ FROM	6	CT HZ TO	60		
HTR-VOLTS		HTR-AMPS		HTR-WATTS	
		MAX. SPACE HEATER TEMP.		VT HZ FROM	3
				VT HZ TO	60

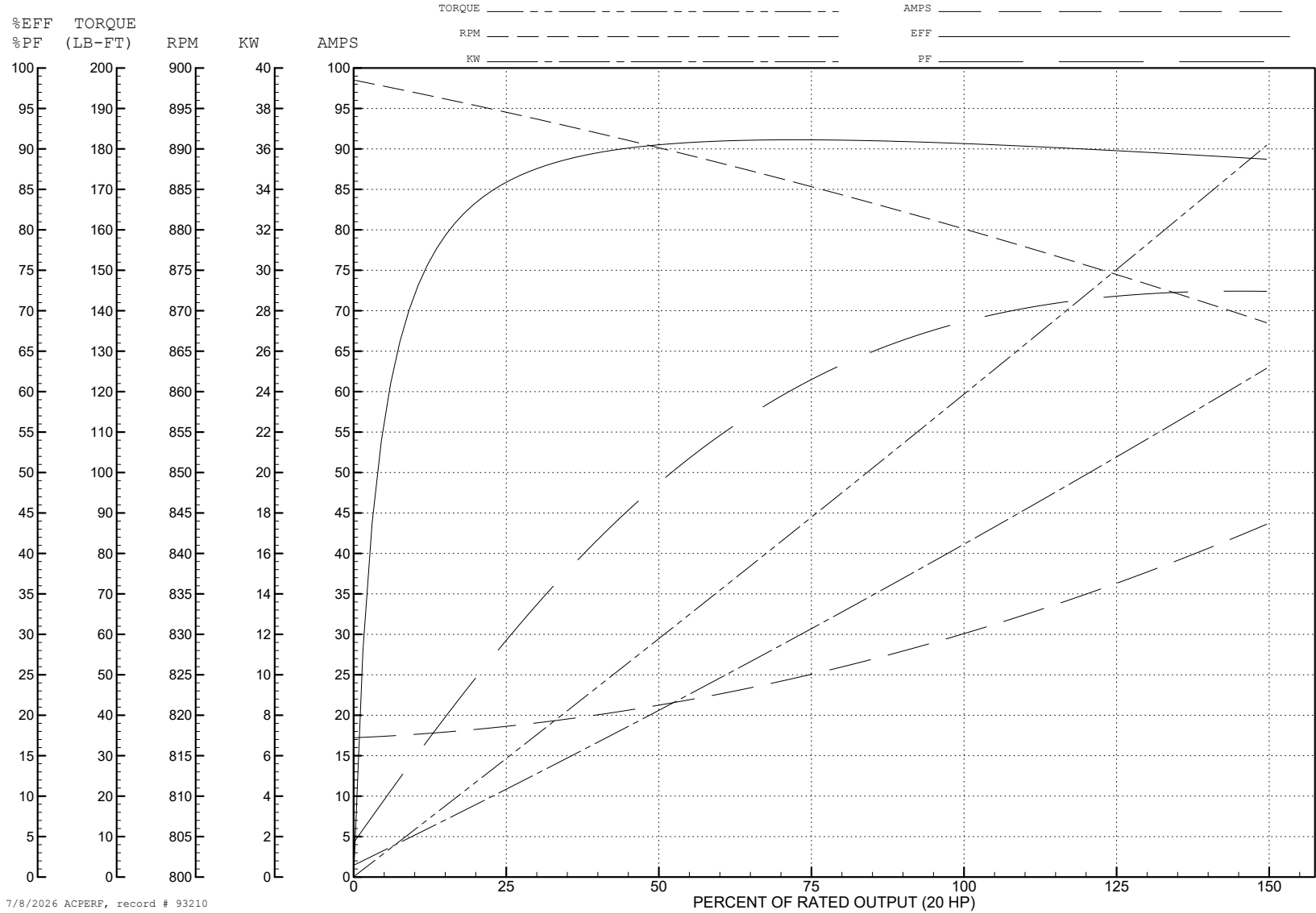
ABB Motors and Mechanical Inc.

WINDING # 12WGZ305

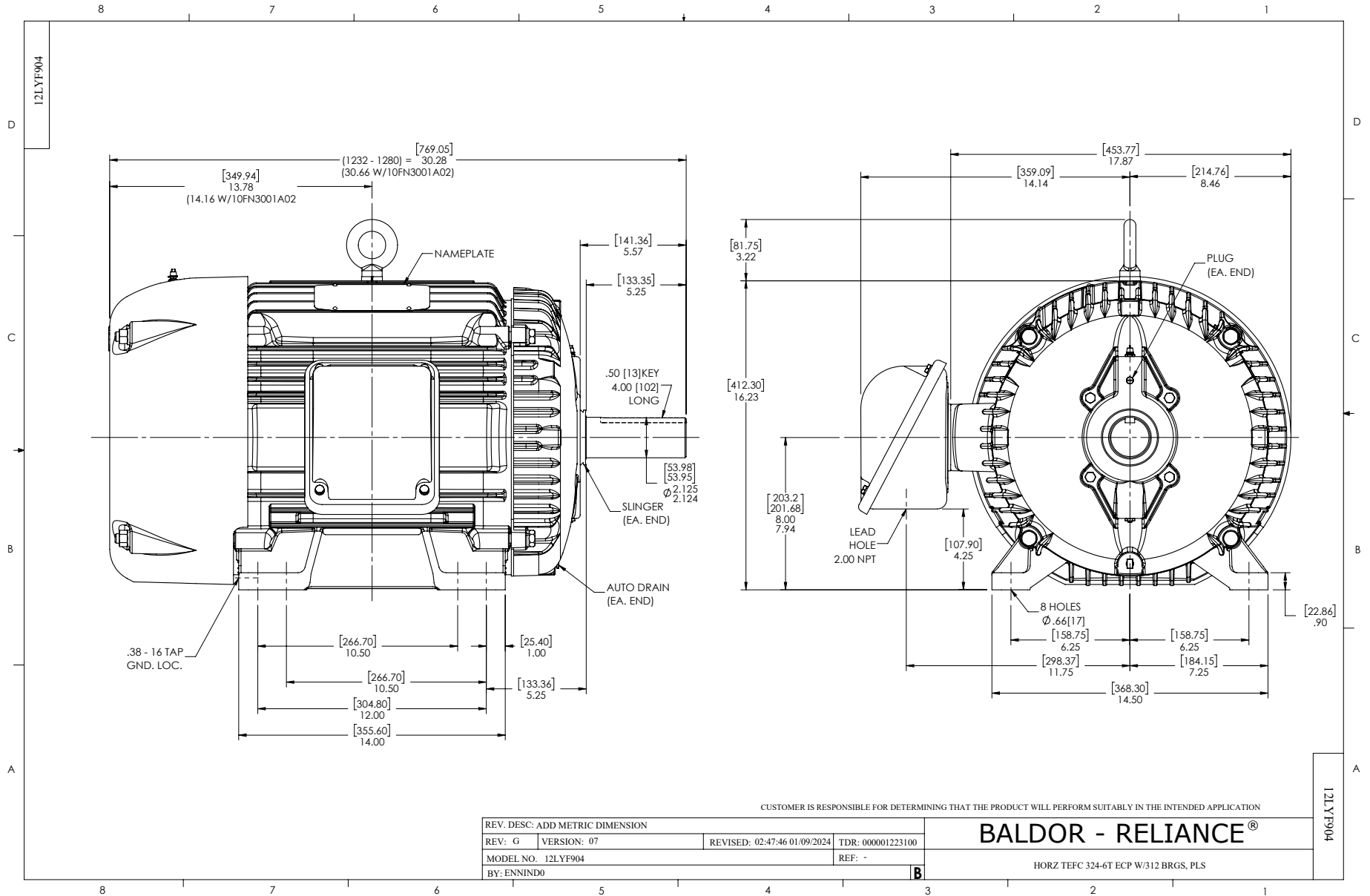
Typical performance - not guaranteed values.

20 HP 3 PH 60 HZ 880 RPM 460 V 1256M

TORQUES (LB-FT): PO=280 PU=156 LR=165 LRA=141



7/8/2026 ACPERF, record # 93210



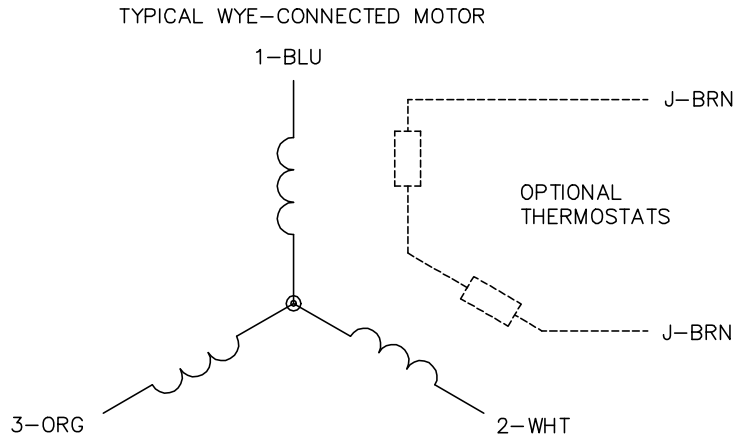
CUSTOMER IS RESPONSIBLE FOR DETERMINING THAT THE PRODUCT WILL PERFORM SUITABLY IN THE INTENDED APPLICATION

REV. DESC: ADD METRIC DIMENSION		REVISED: 02:47:46 01/09/2024		TDR: 000001223100
REV: G	VERSION: 07	REF: -		
MODEL NO. 12LYF904				
BY: ENNIND0				

BALDOR - RELIANCE®

HORZ TEFC 324-6T ECP W/312 BRGS, PLS

CD0006



NOTES:

1. THREE LEAD MOTOR MAY BE EITHER WYE CONNECTED OR DELTA CONNECTED.
2. INTERCHANGE ANY TWO LINE LEADS TO REVERSE ROTATION.
3. OPTIONAL THERMOSTATS ARE PROVIDED WHEN SPECIFIED.
4. ACTUAL NUMBER OF INTERNAL PARALLEL CIRCUITS MAY VARY.
5. LEAD COLORS ARE OPTIONAL. LEADS MUST BE NUMBERED AS SHOWN.

CD0006

REV. DESC: ADD CLASS CONN00000007		
REV. LTR: E	VERSION: 01	TDR: 000001099922
FILE: \AAA\00005\141	REVISED: 10:24:49 02/19/2019	BY: ENBRIRO
MTL: -	© □	

BALDOR - RELIANCE®

3PH, SV, 3 LEADS, WYE OR DELTA CONNECTED

SH 1 of 1