

# **ABB BALDOR RELIANCE III**

---

## **Customer information packet**

ECP4111T-5

25HP, 1180RPM, 3PH, 60HZ, 324T, 1260M, TEFC, F1

Class - CLI GP A,B,C,D

Division - Division II

**Specifications**

<b>Enclosure</b>	TEFC
<b>Frame</b>	324T
<b>Frame Material</b>	Iron
<b>Frequency</b>	60.00 Hz
<b>Haz Area Class and Group</b>	CLI GP A,B,C,D
<b>Haz Area Division</b>	Division II
<b>Motor Letter Type</b>	Three Phase
<b>Output @ Frequency</b>	25.000 HP @ 60 HZ
<b>Phase</b>	3
<b>Synchronous Speed @ Frequency</b>	1200 RPM @ 60 HZ
<b>Voltage @ Frequency</b>	575.0 V @ 60 HZ
<b>Agency Approvals</b>	CCSA US CSA EEV NEMA PREMIUM NEMA_PREMIUM UR
<b>Ambient Temperature</b>	40 °C
<b>Auxiliary Box</b>	NO AUXILLARY BOX
<b>Auxiliary Box Lead Termination</b>	None
<b>Base Indicator</b>	Rigid
<b>Bearing Grease Type</b>	Polyrex EM (-20F +300F)
<b>Blower</b>	None
<b>Constant Torque Speed Range</b>	1.0
<b>Current @ Voltage</b>	25.700 A @ 575.0 V
<b>Design Code</b>	A
<b>Drip Cover</b>	No Drip Cover
<b>Duty Rating</b>	CONT
<b>Efficiency @ 100% Load</b>	93.0 %
<b>Electrically Isolated Bearing</b>	Not Electrically Isolated
<b>Feedback Device</b>	NO FEEDBACK
<b>Front Face Code</b>	Standard
<b>Front Shaft Indicator</b>	None

**Part Detail**

<b>Revision</b>	AG
<b>Type</b>	AC
<b>Mech. spec.</b>	12F904
<b>Base</b>	
<b>Status</b>	PRD/A
<b>Elec. spec.</b>	12WGY448
<b>Layout</b>	12LYF904
<b>Eff. date</b>	10-16-2025
<b>CD Diagram</b>	CD0006
<b>Poles</b>	06
<b>Leads</b>	3#10
<b>Proprietary</b>	False
<b>Created date</b>	01-07-2012

<b>Haz Area Temp Code</b>	T3
<b>Heater Indicator</b>	No Heater
<b>High Voltage Full Load Amps</b>	25.7 a
<b>Insulation Class</b>	F
<b>Inverter Code</b>	Inverter Duty
<b>KVA Code</b>	H
<b>Lifting Lugs</b>	Standard Lifting Lugs
<b>Locked Bearing Indicator</b>	Locked Bearing
<b>Max Speed</b>	1800 rpm
<b>Motor Lead Exit</b>	Ko Box
<b>Motor Lead Quantity/Wire Size</b>	3 @ 10 AWG
<b>Motor Lead Termination</b>	Flying Leads
<b>Motor Standards</b>	NEMA
<b>Motor Type</b>	1260M
<b>Mounting Arrangement</b>	F1
<b>Number of Poles</b>	6
<b>Overall Length</b>	30.28 IN
<b>Power Factor</b>	79
<b>Product Family</b>	Super-E Chemical Processing
<b>Pulley End Bearing Type</b>	Ball
<b>Pulley Face Code</b>	Standard
<b>Pulley Shaft Indicator</b>	Standard
<b>Rodent Screen</b>	None
<b>Service Factor</b>	1.15
<b>Shaft Diameter</b>	2.125 IN
<b>Shaft Extension Location</b>	Pulley End
<b>Shaft Ground Indicator</b>	No Shaft Grounding
<b>Shaft Rotation</b>	Reversible
<b>Shaft Slinger Indicator</b>	Shaft Slinger
<b>Speed</b>	1180 rpm
<b>Speed Code</b>	Single Speed
<b>Starting Method</b>	Direct on line
<b>Thermal Device - Bearing</b>	None
<b>Thermal Device - Winding</b>	None

**Vibration Sensor Indicator**

**No Vibration Sensor**

**Winding Thermal 1**

**None**

**Winding Thermal 2**

**None**

**Nameplate**

**NP3241**

<b>CAT.NO.</b>	ECP4111T-5	<b>P/N</b>		<b>ENCLOSURE</b>	TEFC
<b>SPEC.</b>	12F904Y448	<b>CC</b>	010A	<b>FRAME</b>	324T
<b>HP</b>	25	<b>CLASS</b>	F	<b>HZ</b>	60
<b>RPM</b>	1180	<b>RPM MAX</b>	1800	<b>PH</b>	3
<b>VOLT</b>	575	<b>MOTOR WEIGHT</b>	612	<b>ODE BRG</b>	6312
<b>AMP</b>	25.7	<b>SER.F.</b>	1.15	<b>PF</b>	79
<b>RATING</b>	40C AMB-CONT	<b>NEMA-NOM-EFF</b>	93	<b>GREASE</b>	POLYREX EM
		<b>INV.TYPE</b>	PWM		
<b>TEMP CODE</b>	T3	<b>INVERTER-TEMP-CODE</b>	200		
<b>TEMP =</b>	200	<b>C HP FR</b>	60	<b>C HP TO</b>	90
<b>CT HZ FROM</b>	1.0	<b>CT HZ TO</b>	60		
<b>HTR-VOLTS</b>		<b>HTR-AMPS</b>		<b>HTR-WATTS</b>	
		<b>MAX. SPACE HEATER TEMP.</b>		<b>VT HZ FROM</b>	0
				<b>VT HZ TO</b>	60

**Accessories**

<b>Part number</b>	<b>Description</b>	<b>Multiplier</b>
12-1105	C FACE KIT	A8

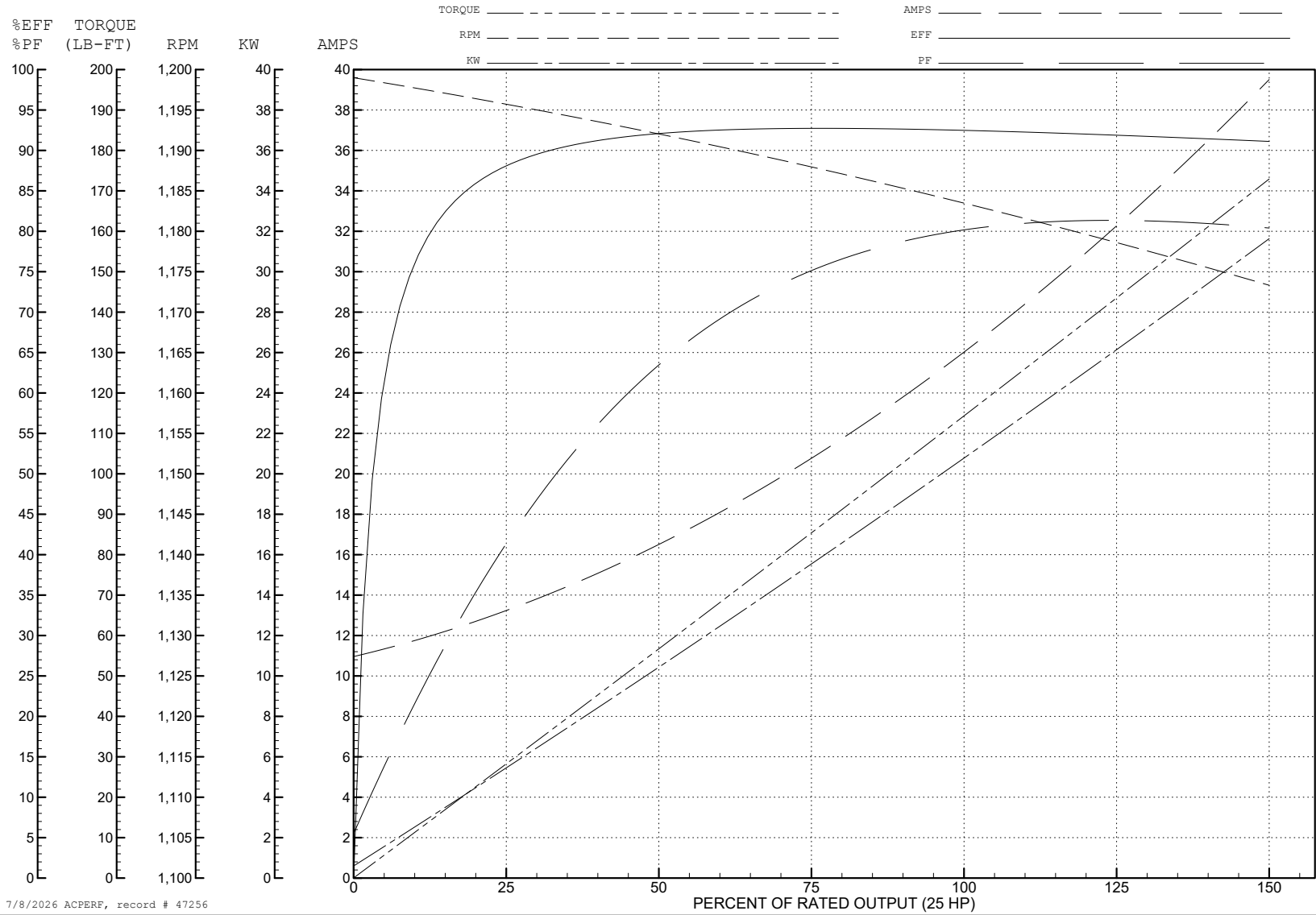
ABB Motors and Mechanical Inc.

WINDING # 12WGY448

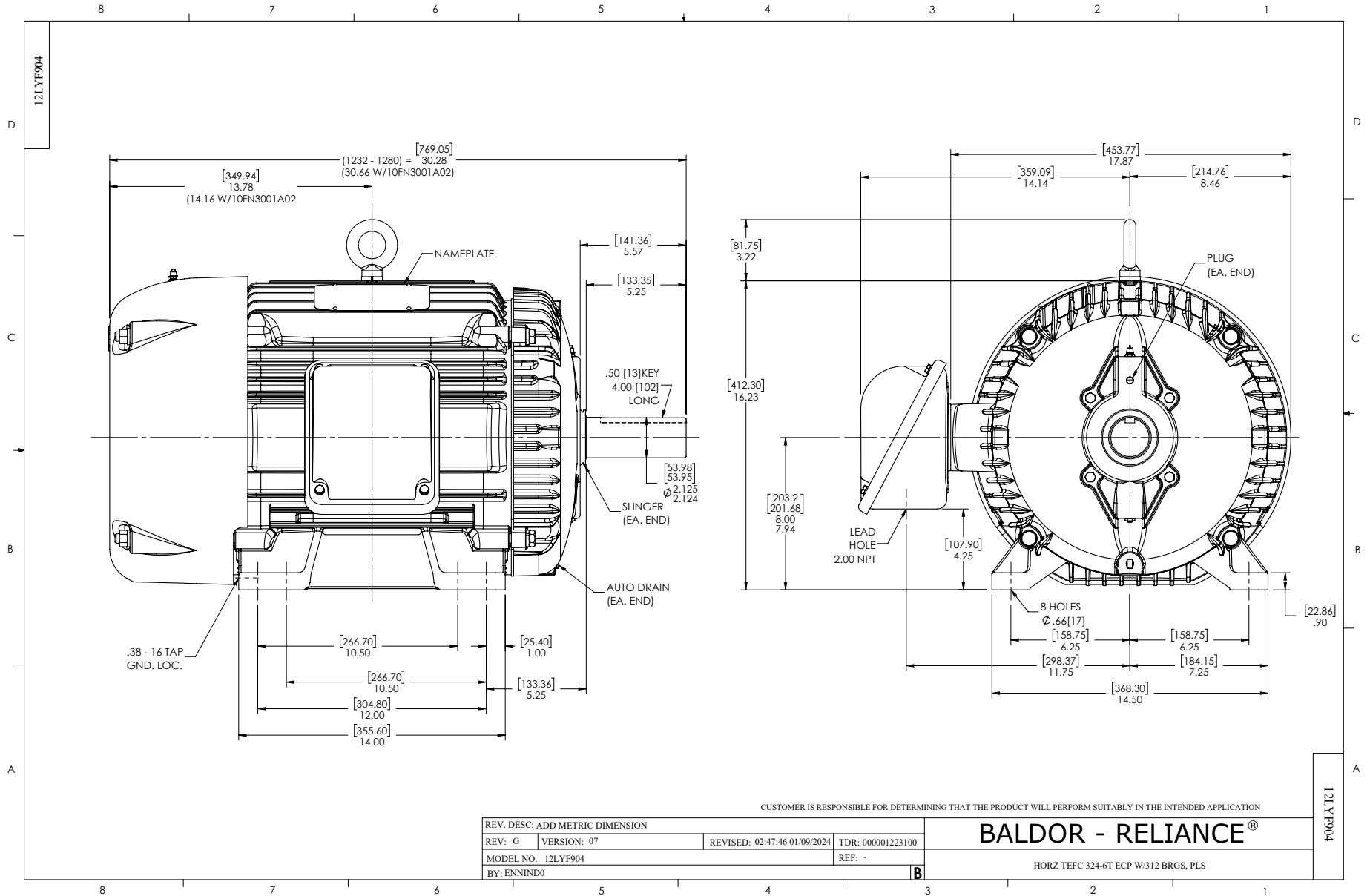
Typical performance - not guaranteed values.

25 HP 3 PH 60 HZ 1180 RPM 575 V 1260M

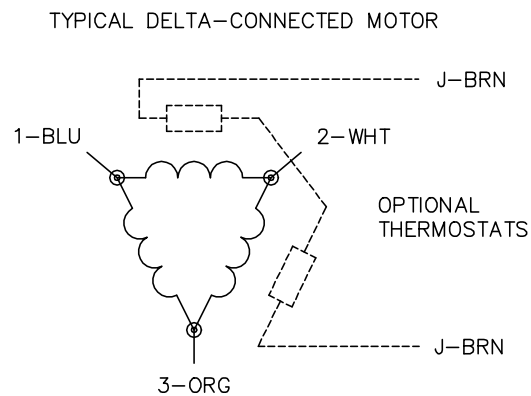
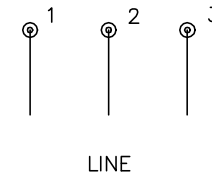
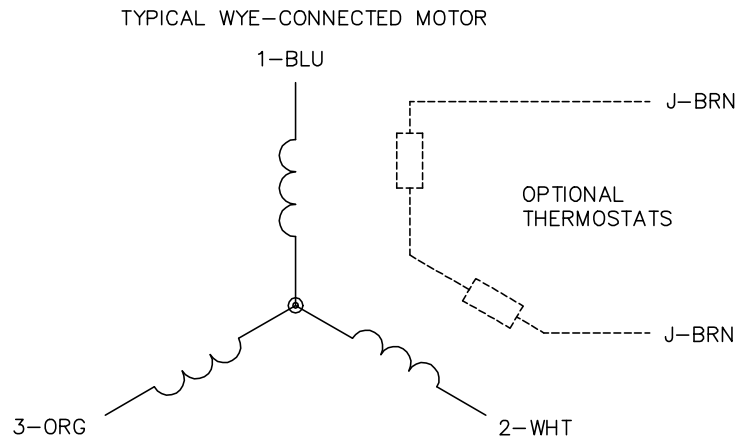
TORQUES (LB-FT): PO=314 PU=119 LR=174 LRA=162



7/8/2026 ACPERF, record # 47256



CD0006



NOTES:

1. THREE LEAD MOTOR MAY BE EITHER WYE CONNECTED OR DELTA CONNECTED.
2. INTERCHANGE ANY TWO LINE LEADS TO REVERSE ROTATION.
3. OPTIONAL THERMOSTATS ARE PROVIDED WHEN SPECIFIED.
4. ACTUAL NUMBER OF INTERNAL PARALLEL CIRCUITS MAY VARY.
5. LEAD COLORS ARE OPTIONAL. LEADS MUST BE NUMBERED AS SHOWN.

CD0006

REV. DESC: ADD CLASS CONN00000007		
REV. LTR: E	VERSION: 01	TDR: 000001099922
FILE: \AAA\00005\141	REVISED: 10:24:49 02/19/2019	BY: ENBRIRO
MTL: -		© □

**BALDOR - RELIANCE®**

3PH, SV, 3 LEADS, WYE OR DELTA CONNECTED

SH 1 of 1