



Customer information packet

ECP4111T-4

25HP, 1180RPM, 3PH, 60HZ, 324T, 1260M, TEFC, F1

Class - CLI GP A,B,C,D

Division - Division II

Specifications

Enclosure	TEFC
Frame	324T
Frame Material	Iron
Frequency	60.00 Hz
Motor Letter Type	Three Phase
Output @ Frequency	25.000 HP @ 60 HZ
Phase	3
Synchronous Speed @ Frequency	1200 RPM @ 60 HZ
Voltage @ Frequency	460.0 V @ 60 HZ
XP Class and Group	CLI GP A,B,C,D
XP Division	Division II
Agency Approvals	CCSA US CSA EEV NEMA PREMIUM NEMA_PREMIUM UR
Ambient Temperature	40 °C
Auxillary Box	No Auxillary Box
Auxillary Box Lead Termination	None
Base Indicator	Rigid
Bearing Grease Type	Polyrex EM (-20F +300F)
Blower	None
Constant Torque Speed Range	1.0
Current @ Voltage	32.000 A @ 460.0 V
Design Code	A
Drip Cover	No Drip Cover
Duty Rating	CONT
Efficiency @ 100% Load	93.0 %
Electrically Isolated Bearing	Not Electrically Isolated
Feedback Device	NO FEEDBACK
Front Face Code	Standard
Front Shaft Indicator	None

Part detail

Revision	AB
Type	AC
Mech. spec.	12F904
Base	
Status	PRD/A
Elec. spec.	12WGY447
Layout	12LYF904
Eff. date	08-01-2023
CD Diagram	CD0006
Poles	06
Leads	3#8
Proprietary	False
Created date	01-07-2012

Heater Indicator	No Heater
High Voltage Full Load Amps	32.0 a
Insulation Class	F
Inverter Code	Inverter Duty
KVA Code	H
Lifting Lugs	Standard Lifting Lugs
Locked Bearing Indicator	Locked Bearing
Max Speed	1800 rpm
Motor Lead Exit	Ko Box
Motor Lead Quantity/Wire Size	3 @ 8 AWG
Motor Lead Termination	Flying Leads
Motor Standards	NEMA
Motor Type	1260M
Mounting Arrangement	F1
Number of Poles	6
Overall Length	30.28 IN
Power Factor	79
Product Family	Super-E Chemical Processing
Pulley End Bearing Type	Ball
Pulley Face Code	Standard
Pulley Shaft Indicator	Standard
Rodent Screen	None
Service Factor	1.15
Shaft Diameter	2.125 IN
Shaft Extension Location	Pulley End
Shaft Ground Indicator	No Shaft Grounding
Shaft Rotation	Reversible
Shaft Slinger Indicator	Shaft Slinger
Speed	1180 rpm
Speed Code	Single Speed
Starting Method	Direct on line
Thermal Device - Bearing	None
Thermal Device - Winding	None
Vibration Sensor Indicator	No Vibration Sensor

Winding Thermal 1	None
Winding Thermal 2	None
XP Temp Code	T3

Nameplate

NP3241

CAT.NO.	ECP4111T-4	P/N		ENCLOSURE	TEFC
SPEC.	12F904Y447	CC	010A	FRAME	324T
HP	25	CLASS	F	HZ	60
RPM	1180	RPM MAX	1800	PH	3
VOLT	460	MOTOR WEIGHT	608	KVA-CODE	H
AMP	32	SER.F.	1.15	PF	79
RATING	40C AMB-CONT	NEMA-NOM-EFF	93	ODE BRG	6312
				DE BRG	6312
				GREASE	POLYREX EM
			INV.TYPE	PWM	
TEMP CODE	T3	INVERTER-TEMP-CODE	200		
TEMP =	200	C HP FR	60	C HP TO	90
CT HZ FROM	1.0	CT HZ TO	60		
HTR-VOLTS		HTR-AMPS		HTR-WATTS	
				MAX. SPACE HEATER TEMP.	
				VT HZ FROM	0
				VT HZ TO	60

Accessories

Part number	Description	Multiplier
12-1105	C FACE KIT	A8

AC Induction Motor Performance Data

Record # 47255

Typical performance - not guaranteed values

Winding: 12WGY447-R005		Type: 1260M		Enclosure: TEFC	
Nameplate Data			460 V, 60 Hz: Single Voltage Motor		
Rated Output (HP)	25	Full Load Torque	111 LB-FT		
Volts	460	Start Configuration	direct on line		
Full Load Amps	32	Breakdown Torque	308 LB-FT		
R.P.M.	1180	Pull-up Torque	117 LB-FT		
Hz	60 Phase	3	Locked-rotor Torque	171 LB-FT	
NEMA Design Code	A KVA Code	H	Starting Current	198 A	
Service Factor (S.F.)	1.15	No-load Current	13.8 A		
NEMA Nom. Eff.	93 Power Factor	79	Line-line Res. @ 25°C	0.27033 Ω	
Rating - Duty	40C AMB-CONT	Temp. Rise @ Rated Load	46°C		
S.F. Amps		Temp. Rise @ S.F. Load	56°C		
		Rotor inertia	11.5 LB-FT ²		

Load Characteristics 460 V, 60 Hz, 25 HP

% of Rated Load	25	50	75	100	125	150	S.F.
Power Factor	43	65	75	79	81	81	80
Efficiency	89.1	92.8	93.5	93.2	92.6	91.5	92.8
Speed	1195.4	1191.8	1188.2	1183.9	1179.3	1172.9	1181
Line amperes	15.6	19.7	25.4	31.9	39.2	49.1	36.3

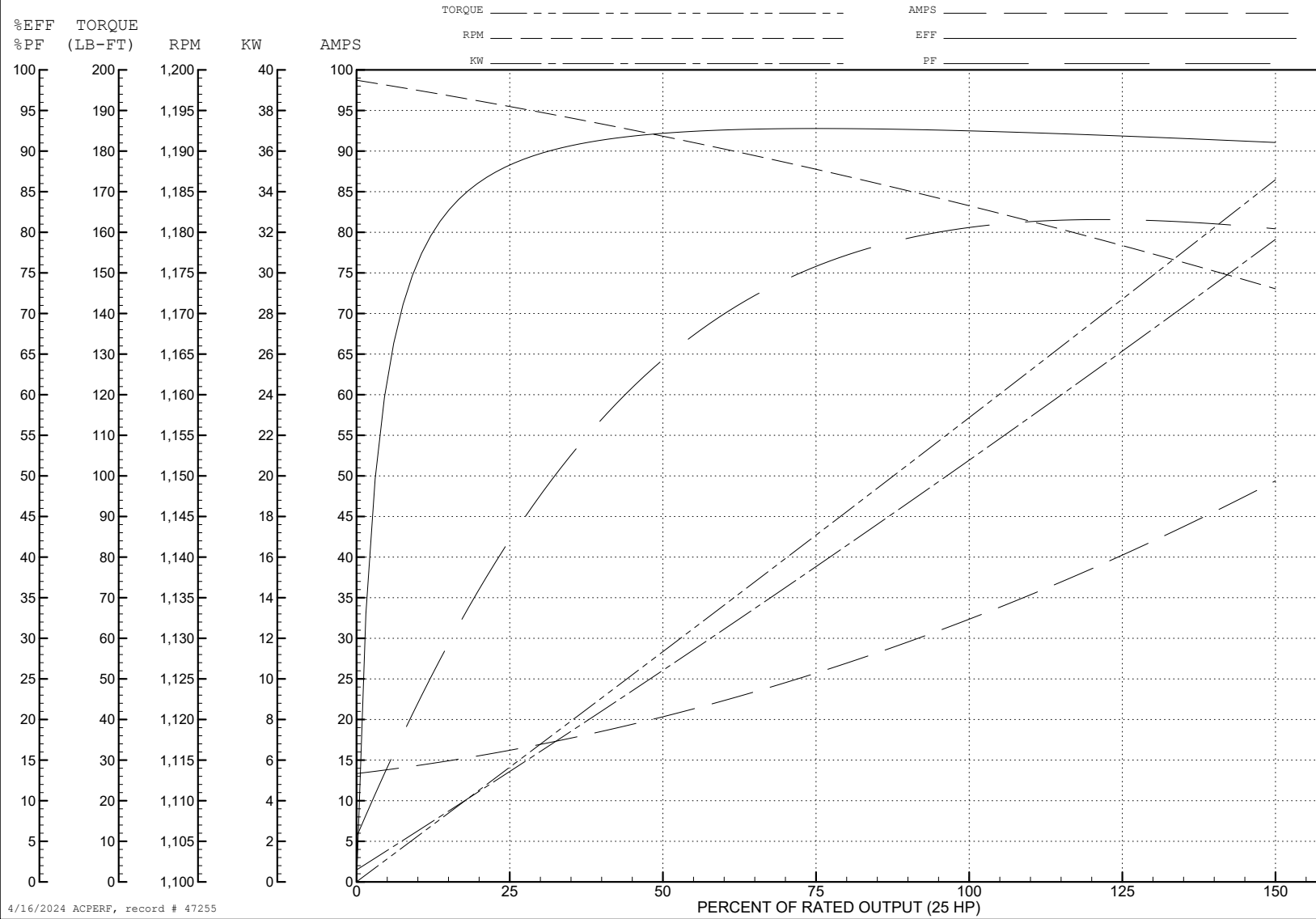
ABB Motors and Mechanical Inc.

WINDING # 12WGY447

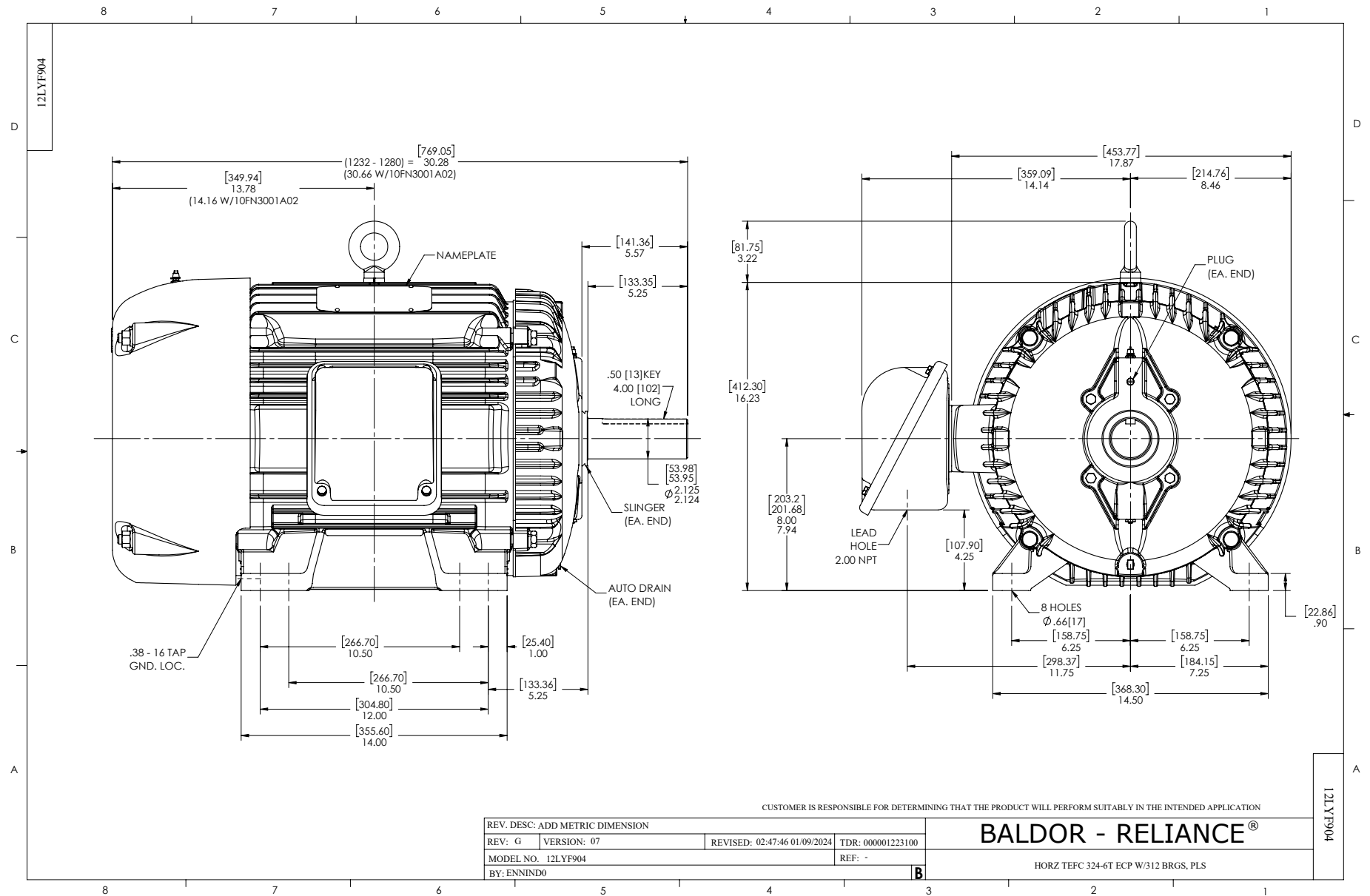
Typical performance - not guaranteed values.

25 HP 3 PH 60 HZ 1180 RPM 460 V 1260M

TORQUES (LB-FT): PO=308 PU=117 LR=171 LRA=198



4/16/2024 ACPERF, record # 47255



CD0006



NOTES:

1. THREE LEAD MOTOR MAY BE EITHER WYE CONNECTED OR DELTA CONNECTED.
2. INTERCHANGE ANY TWO LINE LEADS TO REVERSE ROTATION.
3. OPTIONAL THERMOSTATS ARE PROVIDED WHEN SPECIFIED.
4. ACTUAL NUMBER OF INTERNAL PARALLEL CIRCUITS MAY VARY.
5. LEAD COLORS ARE OPTIONAL. LEADS MUST BE NUMBERED AS SHOWN.

CD0006

REV. DESC: ADD CLASS CONN00000007		
REV. LTR: E	VERSION: 01	TDR: 000001099922
FILE: \AAA\00005\141	REVISED: 10:24:49 02/19/2019	BY: ENBRIRO
MTL: -	© □	

BALDOR - RELIANCE®

3PH, SV, 3 LEADS, WYE OR DELTA CONNECTED

SH 1 of 1