



---

# Customer information packet

## ECP4108T-4

30HP, 3525RPM, 3PH, 60HZ, 286TS, 1048M, TEFC, F

Class - CLI GP A,B,C,D

Division - Division II

## Specifications

Enclosure	TEFC
Frame	286TS
Frame Material	Iron
Frequency	60.00 Hz
Haz Area Class and Group	CL I GP A,B,C,D
Haz Area Division	Division II
Motor Letter Type	Three Phase
Output @ Frequency	30.000 HP @ 60 HZ
Phase	3
Synchronous Speed @ Frequency	3600 RPM @ 60 HZ
Voltage @ Frequency	460.0 V @ 60 HZ
Agency Approvals	CSA EEV NEMA PREMIUM NEMA_PREMIUM UR CCSA US
Ambient Temperature	40 °C
Auxillary Box	No Auxillary Box
Auxillary Box Lead Termination	None
Base Indicator	Rigid
Bearing Grease Type	Polyrex EM (-20F +300F)
Blower	None
Constant Torque Speed Range	6
Current @ Voltage	34.000 A @ 460.0 V
Design Code	B
Drip Cover	No Drip Cover
Duty Rating	CONT
Efficiency @ 100% Load	91.7 %
Electrically Isolated Bearing	Not Electrically Isolated
Enclosure Modification	Severe Duty Features
Feedback Device	NO FEEDBACK
Front Face Code	Standard

## Part detail

Revision	K
Type	AC
Mech. spec.	10H423
Base	
Status	PRD/A
Elec. spec.	10WGZ522
Layout	10LYH423
Eff. date	03-21-2024
CD Diagram	CD0006
Poles	02
Leads	3#10
Proprietary	False
Created date	06-09-2016

Front Shaft Indicator	None
Haz Area Temp Code	T3
Heater Indicator	No Heater
High Voltage Full Load Amps	34.0 a
Insulation Class	F
Inverter Code	Inverter Duty
KVA Code	G
Lifting Lugs	Standard Lifting Lugs
Locked Bearing Indicator	Locked Bearing
Max Speed	5400 rpm
Motor Lead Exit	Ko Box
Motor Lead Quantity/Wire Size	3 @ 10 AWG
Motor Lead Termination	Flying Leads
Motor Standards	NEMA
Motor Type	1048M
Mounting Arrangement	F1
Number of Poles	2
Overall Length	26.63 IN
Power Factor	90
Product Family	Super-E Chemical Processing
Pulley End Bearing Type	Ball
Pulley Face Code	Standard
Pulley Shaft Indicator	Standard
Rodent Screen	None
Service Factor	1.15
Shaft Diameter	1.625 IN
Shaft Extension Location	Pulley End
Shaft Ground Indicator	No Shaft Grounding
Shaft Rotation	Reversible
Shaft Slinger Indicator	Shaft Slinger
Speed	3525 rpm
Speed Code	Single Speed
Starting Method	Direct on line
Thermal Device - Bearing	None

<b>Thermal Device - Winding</b>	<b>None</b>
<b>Vibration Sensor Indicator</b>	<b>No Vibration Sensor</b>
<b>Winding Thermal 1</b>	<b>None</b>
<b>Winding Thermal 2</b>	<b>None</b>

**Nameplate**

**NP3241**

<b>CAT.NO.</b>	ECP4108T-4	<b>P/N</b>		<b>ENCLOSURE</b>	TEFC
<b>SPEC.</b>	10H423Z522G1	<b>CC</b>	010A	<b>FRAME</b>	286TS
<b>HP</b>	30	<b>CLASS</b>	F	<b>HZ</b>	60
<b>RPM</b>	3525	<b>RPM MAX</b>	5400	<b>PH</b>	3
<b>VOLT</b>	460	<b>MOTOR WEIGHT</b>	396	<b>KVA-CODE</b>	G
<b>AMP</b>	34	<b>SER.F.</b>	1.15	<b>PF</b>	90
<b>RATING</b>	40C AMB-CONT	<b>NEMA-NOM-EFF</b>	91.7	<b>ODE BRG</b>	6311
				<b>DE BRG</b>	6311
				<b>GREASE</b>	POLYREX EM
			<b>INV.TYPE</b>	PWM	
<b>TEMP CODE</b>	T3	<b>INVERTER-TEMP-CODE</b>	200		
<b>TEMP =</b>	200	<b>C HP FR</b>	60	<b>C HP TO</b>	90
<b>CT HZ FROM</b>	6	<b>CT HZ TO</b>	60		
<b>HTR-VOLTS</b>		<b>HTR-AMPS</b>		<b>HTR-WATTS</b>	
				<b>MAX. SPACE HEATER TEMP.</b>	
				<b>VT HZ FROM</b>	3
				<b>VT HZ TO</b>	60

**Accessories**

<b>Part number</b>	<b>Description</b>	<b>Multiplier</b>
10-1305	C FACE KIT	A8

**AC Induction Motor Performance Data**

Record # 55456

Typical performance - not guaranteed values

Winding: 10WGZ522-R001		Type: 1048M	Enclosure: TEFC	
<b>Nameplate Data</b>			<b>460 V, 60 Hz: Single Voltage Motor</b>	
Rated Output (HP)	30	Full Load Torque	44.8 LB-FT	
Volts	460	Start Configuration	direct on line	
Full Load Amps	34	Breakdown Torque	135 LB-FT	
R.P.M.	3525	Pull-up Torque	47 LB-FT	
Hz	60 Phase	Locked-rotor Torque	65.2 LB-FT	
NEMA Design Code	B KVA Code	Starting Current	212 A	
Service Factor (S.F.)	1.15	No-load Current	8.74 A	
NEMA Nom. Eff.	91.7 Power Factor	Line-line Res. @ 25°C	0.24052 Ω	
Rating - Duty	40C AMB-CONT	Temp. Rise @ Rated Load	69°C	
S.F. Amps		Temp. Rise @ S.F. Load	85°C	
		Locked-rotor Power Factor	23.2	

**Load Characteristics 460 V, 60 Hz, 30 HP**

% of Rated Load	25	50	75	100	125	150	S.F.
Power Factor	67	83	88	90	90	90	90
Efficiency	87	91.3	92	91.7	90.9	89.7	91.2
Speed	3583	3565.7	3547.3	3526.7	3504.4	3479.1	3513
Line amperes	12.4	18.7	26.1	34.1	43.1	52.5	39.5

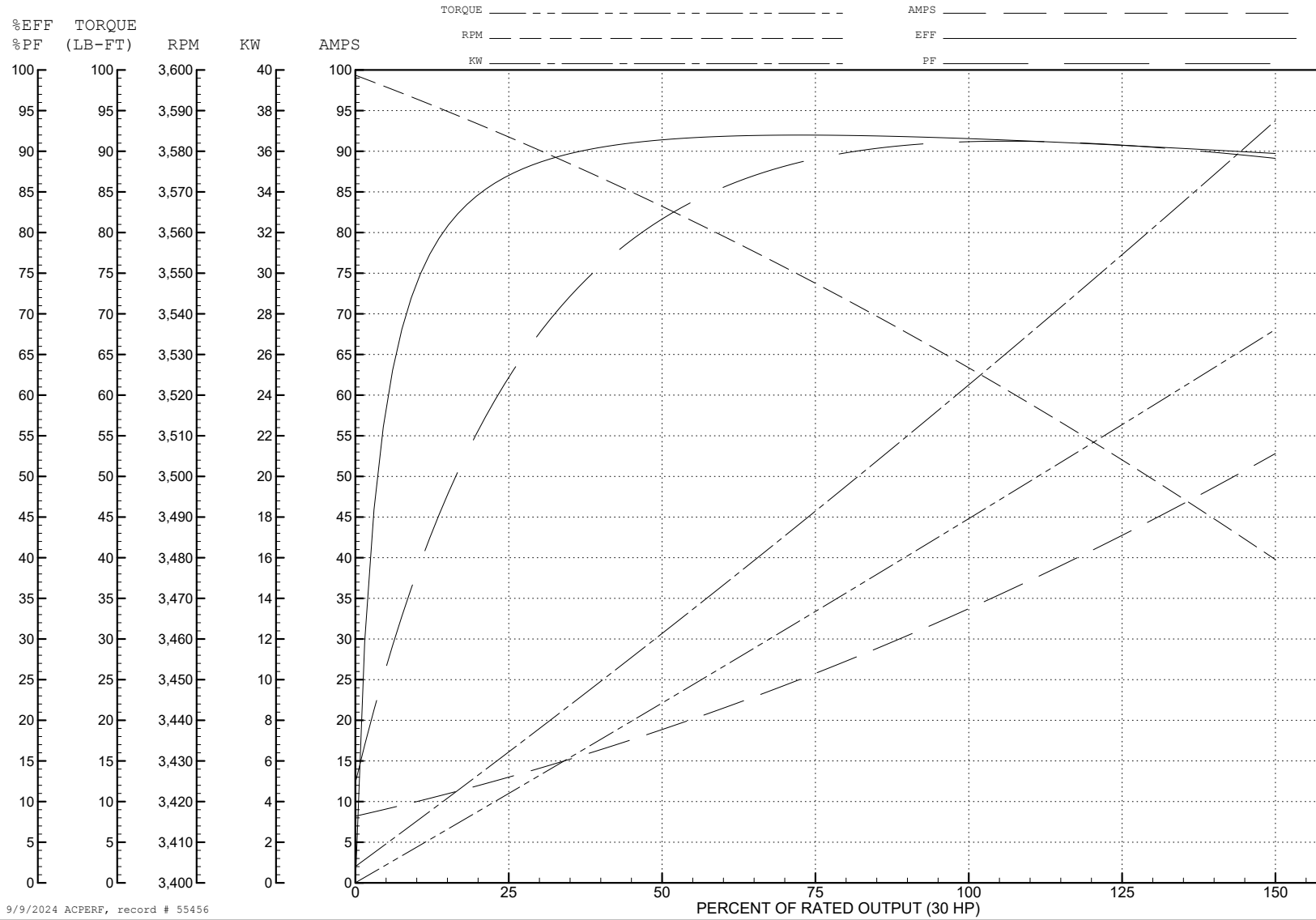
ABB Motors and Mechanical Inc.

WINDING # 10WGZ522

30 HP 3 PH 60 HZ 3525 RPM 460 V 1048M

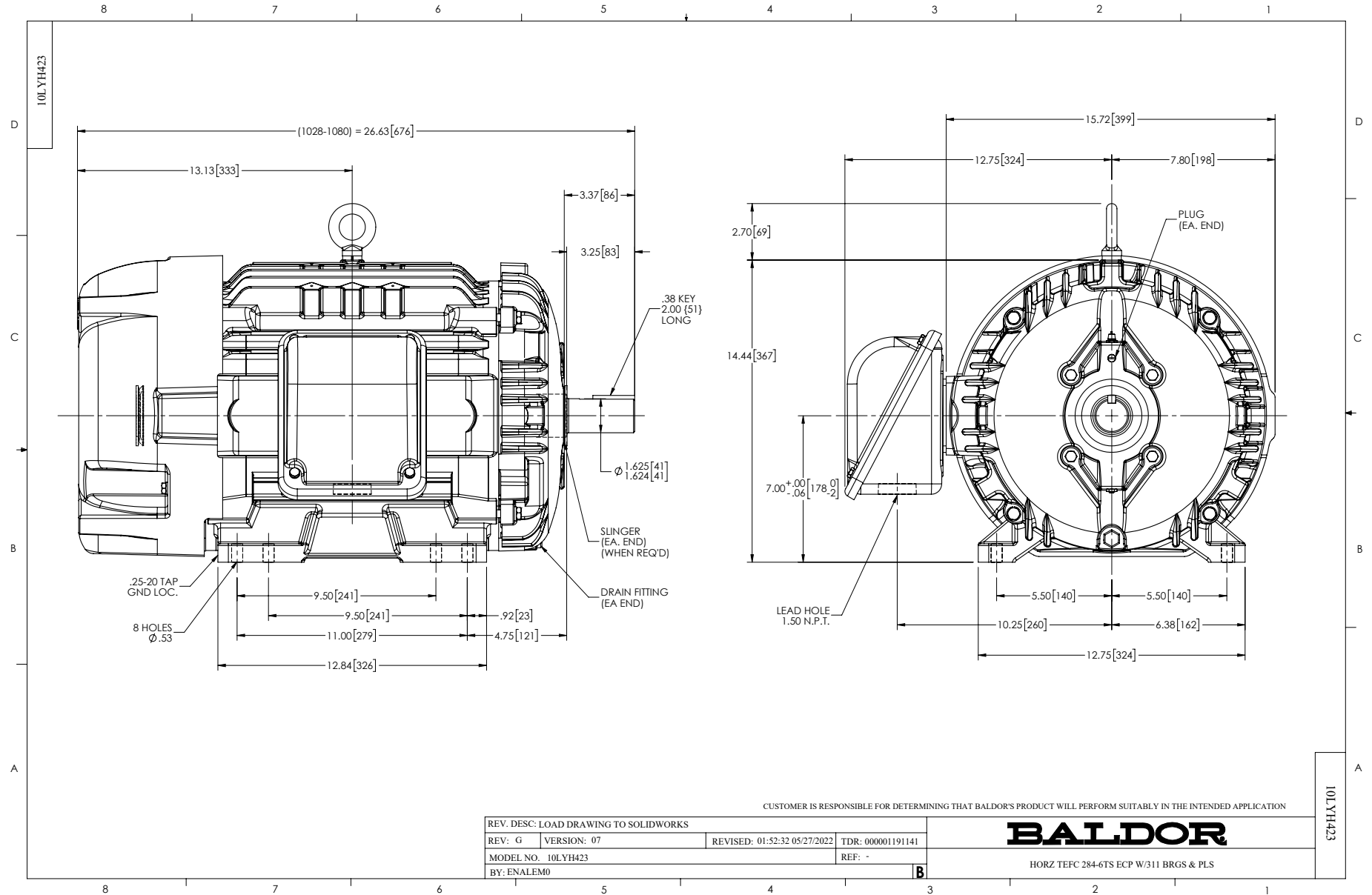
Typical performance - not guaranteed values.

TORQUES (LB-FT): PO=135 PU=47 LR=65.2 LRA=212

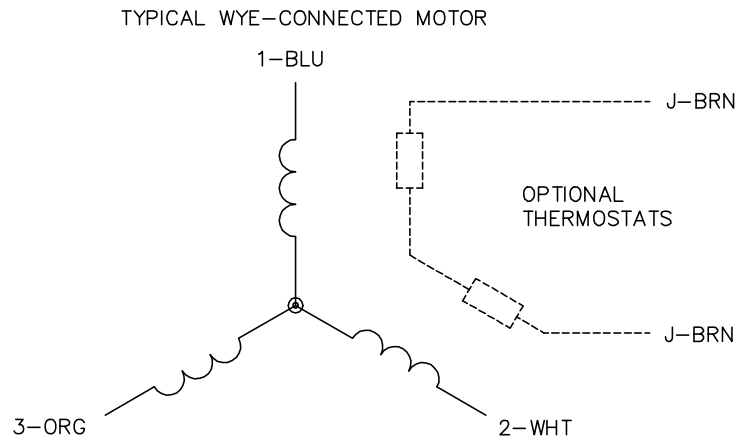


9/9/2024 ACPERF, record # 55456





CD0006



NOTES:

1. THREE LEAD MOTOR MAY BE EITHER WYE CONNECTED OR DELTA CONNECTED.
2. INTERCHANGE ANY TWO LINE LEADS TO REVERSE ROTATION.
3. OPTIONAL THERMOSTATS ARE PROVIDED WHEN SPECIFIED.
4. ACTUAL NUMBER OF INTERNAL PARALLEL CIRCUITS MAY VARY.
5. LEAD COLORS ARE OPTIONAL. LEADS MUST BE NUMBERED AS SHOWN.

CD0006

REV. DESC: ADD CLASS CONN00000007		
REV. LTR: E	VERSION: 01	TDR: 000001099922
FILE: \AAA\00005\141	REVISED: 10:24:49 02/19/2019	BY: ENBRIRO
MTL: -	© □	

**BALDOR - RELIANCE®**

3PH, SV, 3 LEADS, WYE OR DELTA CONNECTED

SH 1 of 1