



---

# Customer information packet

## ECP4107T-4

25HP, 3520RPM, 3PH, 60HZ, 284TS, 1048M, TEFC, F  
Class - CLI GP A,B,C,D  
Division - Division II

## Specifications

Enclosure	TEFC
Frame	284TS
Frame Material	Iron
Frequency	60.00 Hz
Haz Area Class and Group	CLI GP A,B,C,D
Haz Area Division	Division II
Motor Letter Type	Three Phase
Output @ Frequency	25.000 HP @ 60 HZ
Phase	3
Synchronous Speed @ Frequency	3600 RPM @ 60 HZ
Voltage @ Frequency	460.0 V @ 60 HZ
Agency Approvals	CSA EEV NEMA PREMIUM NEMA_PREMIUM UR CCSA US
Ambient Temperature	40 °C
Auxillary Box	No Auxillary Box
Auxillary Box Lead Termination	None
Base Indicator	Rigid
Bearing Grease Type	Polyrex EM (-20F +300F)
Blower	None
Constant Torque Speed Range	1.3
Current @ Voltage	28.000 A @ 460.0 V
Design Code	B
Drip Cover	No Drip Cover
Duty Rating	CONT
Efficiency @ 100% Load	91.7 %
Electrically Isolated Bearing	Not Electrically Isolated
Enclosure Modification	Severe Duty Features
Feedback Device	NO FEEDBACK
Front Face Code	Standard

## Part detail

Revision	Q
Type	AC
Mech. spec.	10H423
Base	
Status	PRD/A
Elec. spec.	10WGZ242
Layout	10LYH423
Eff. date	04-09-2024
CD Diagram	CD0006
Poles	02
Leads	3#10
Proprietary	False
Created date	12-12-2014

Front Shaft Indicator	None
Haz Area Temp Code	T3
Heater Indicator	No Heater
High Voltage Full Load Amps	28.0 a
Insulation Class	F
Inverter Code	Inverter Duty
KVA Code	F
Lifting Lugs	Standard Lifting Lugs
Locked Bearing Indicator	Locked Bearing
Max Speed	5400 rpm
Motor Lead Exit	Ko Box
Motor Lead Quantity/Wire Size	3 @ 10 AWG
Motor Lead Termination	Flying Leads
Motor Standards	NEMA
Motor Type	1048M
Mounting Arrangement	F1
Number of Poles	2
Overall Length	26.63 IN
Power Factor	90
Product Family	Super-E Chemical Processing
Pulley End Bearing Type	Ball
Pulley Face Code	Standard
Pulley Shaft Indicator	Standard
Rodent Screen	None
Service Factor	1.15
Shaft Diameter	1.625 IN
Shaft Extension Location	Pulley End
Shaft Ground Indicator	No Shaft Grounding
Shaft Rotation	Reversible
Shaft Slinger Indicator	Shaft Slinger
Speed	3520 rpm
Speed Code	Single Speed
Starting Method	Direct on line
Thermal Device - Bearing	None

<b>Thermal Device - Winding</b>	None
<b>Vibration Sensor Indicator</b>	No Vibration Sensor
<b>Winding Thermal 1</b>	None
<b>Winding Thermal 2</b>	None

**Nameplate**

**NP3241**

<b>CAT.NO.</b>	ECP4107T-4	<b>P/N</b>		<b>ENCLOSURE</b>	TEFC
<b>SPEC.</b>	10H423Z242G3	<b>CC</b>	010A	<b>FRAME</b>	284TS
<b>HP</b>	25	<b>CLASS</b>	F	<b>HZ</b>	60
<b>RPM</b>	3520	<b>RPM MAX</b>	5400	<b>PH</b>	3
<b>VOLT</b>	460	<b>MOTOR WEIGHT</b>	342	<b>KVA-CODE</b>	F
<b>AMP</b>	28	<b>SER.F.</b>	1.15	<b>PF</b>	90
<b>RATING</b>	40C AMB-CONT	<b>NEMA-NOM-EFF</b>	91.7	<b>ODE BRG</b>	6311
				<b>DE BRG</b>	6311
				<b>GREASE</b>	POLYREX EM
				<b>INV.TYPE</b>	PWM
<b>TEMP CODE</b>	T3	<b>INVERTER-TEMP-CODE</b>	200		
<b>TEMP =</b>	200	<b>C HP FR</b>	60	<b>C HP TO</b>	90
<b>CT HZ FROM</b>	1.3	<b>CT HZ TO</b>	60		
<b>HTR-VOLTS</b>		<b>HTR-AMPS</b>		<b>HTR-WATTS</b>	
				<b>MAX. SPACE HEATER TEMP.</b>	
				<b>VT HZ FROM</b>	0-
				<b>VT HZ TO</b>	60

**AC Induction Motor Performance Data**

Record # 47223

Typical performance - not guaranteed values

<b>Winding: 10WGZ242-R004</b>		<b>Type: 1048M</b>		<b>Enclosure: TEFC</b>	
<b>Nameplate Data</b>			<b>460 V, 60 Hz: Single Voltage Motor</b>		
<b>Rated Output (HP)</b>	25	<b>Full Load Torque</b>	37.3 LB-FT		
<b>Volts</b>	460	<b>Start Configuration</b>	direct on line		
<b>Full Load Amps</b>	28	<b>Breakdown Torque</b>	103 LB-FT		
<b>R.P.M.</b>	3520	<b>Pull-up Torque</b>	42.1 LB-FT		
<b>Hz</b>	60 <b>Phase</b>	3	<b>Locked-rotor Torque</b>	54 LB-FT	
<b>NEMA Design Code</b>	<b>B KVA Code</b>	F	<b>Starting Current</b>	171 A	
<b>Service Factor (S.F.)</b>		1.15	<b>No-load Current</b>	6.99 A	
<b>NEMA Nom. Eff.</b>	91.7 <b>Power Factor</b>	90	<b>Line-line Res. @ 25°C</b>	0.29072 Ω	
<b>Rating - Duty</b>		40C AMB-CONT	<b>Temp. Rise @ Rated Load</b>	57°C	
<b>S.F. Amps</b>			<b>Temp. Rise @ S.F. Load</b>	70°C	
			<b>Locked-rotor Power Factor</b>	23.3	

**Load Characteristics 460 V, 60 Hz, 25 HP**

<b>% of Rated Load</b>	<b>25</b>	<b>50</b>	<b>75</b>	<b>100</b>	<b>125</b>	<b>150</b>	<b>S.F.</b>
<b>Power Factor</b>	69	83	89	90	90	90	90
<b>Efficiency</b>	87.8	91.6	92.2	91.8	90.9	89.7	91.3
<b>Speed</b>	3580.1	3563.2	3542.7	3521.3	3497	3469.9	3507
<b>Line amperes</b>	10.1	15.4	21.7	28.3	35.7	43.5	32.7

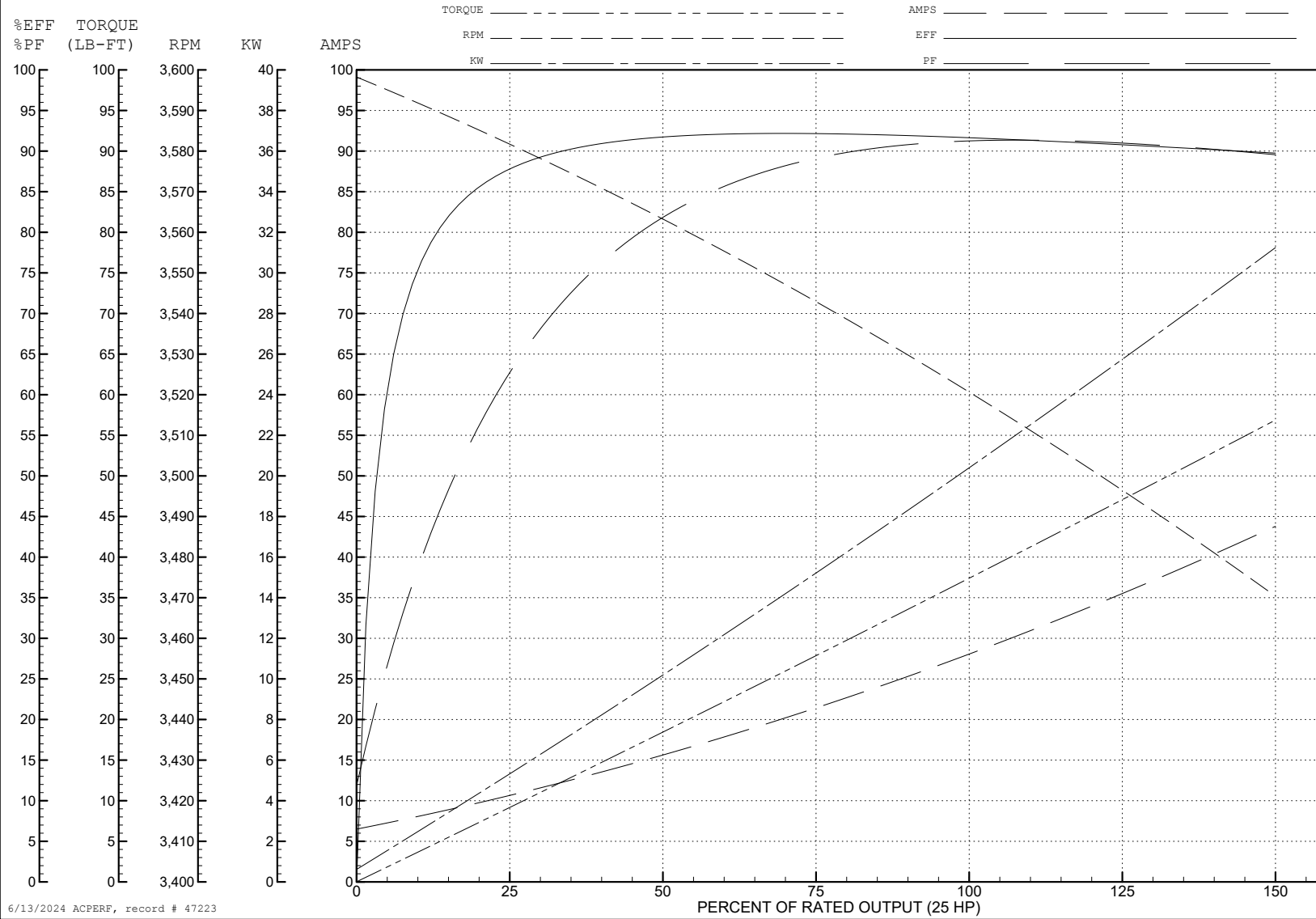
ABB Motors and Mechanical Inc.

WINDING # 10WGZ242

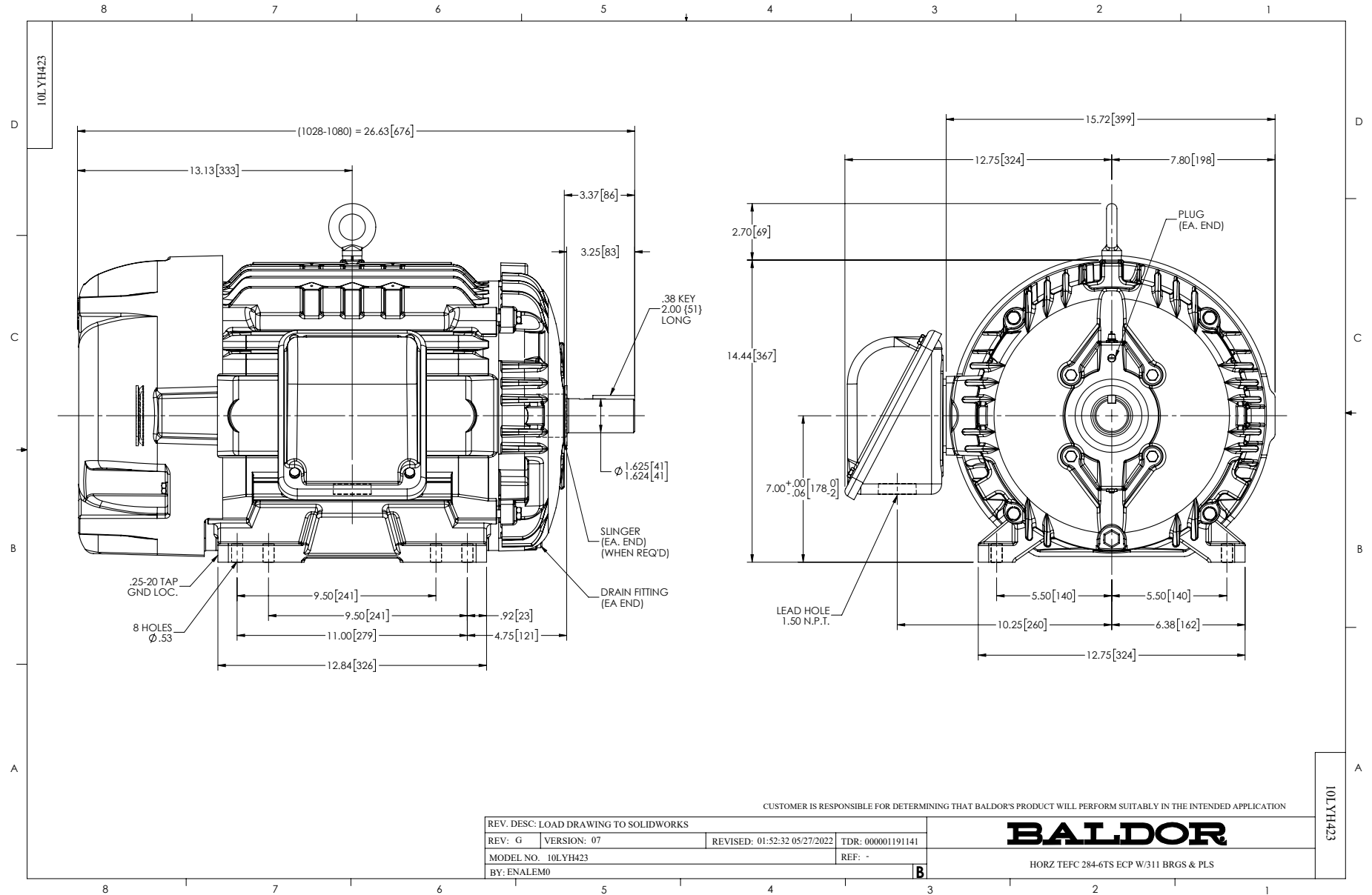
25 HP 3 PH 60 HZ 3520 RPM 460 V 1048M

Typical performance - not guaranteed values.

TORQUES (LB-FT): PO=103 PU=42.1 LR=54 LRA=171

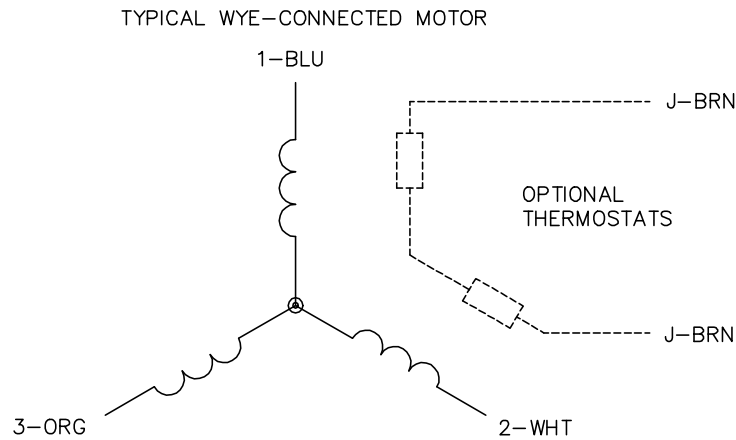


6/13/2024 ACPERF, record # 47223





CD0006



NOTES:

1. THREE LEAD MOTOR MAY BE EITHER WYE CONNECTED OR DELTA CONNECTED.
2. INTERCHANGE ANY TWO LINE LEADS TO REVERSE ROTATION.
3. OPTIONAL THERMOSTATS ARE PROVIDED WHEN SPECIFIED.
4. ACTUAL NUMBER OF INTERNAL PARALLEL CIRCUITS MAY VARY.
5. LEAD COLORS ARE OPTIONAL. LEADS MUST BE NUMBERED AS SHOWN.

CD0006

REV. DESC: ADD CLASS CONN00000007		
REV. LTR: E	VERSION: 01	TDR: 000001099922
FILE: \AAA\00005\141	REVISED: 10:24:49 02/19/2019	BY: ENBRIRO
MTL: -	© □	

**BALDOR - RELIANCE®**

3PH, SV, 3 LEADS, WYE OR DELTA CONNECTED

SH 1 of 1