

ABB BALDOR RELIANCE III

Customer information packet

ECP4102T-5

20HP, 1180RPM, 3PH, 60HZ, 286T, 1062M, TEFC, F1

Class - CLI GP A,B,C,D

Division - Division II

Specifications

Enclosure	TEFC
Frame	286T
Frame Material	Iron
Frequency	60.00 Hz
Haz Area Class and Group	CLI GP A,B,C,D
Haz Area Division	Division II
Motor Letter Type	Three Phase
Output @ Frequency	20.000 HP @ 60 HZ
Phase	3
Synchronous Speed @ Frequency	1200 RPM @ 60 HZ
Voltage @ Frequency	575.0 V @ 60 HZ
Agency Approvals	CSA EEV NEMA PREMIUM NEMA_PREMIUM UR CCSA US
Ambient Temperature	40 °C
Auxiliary Box	NO AUXILLARY BOX
Auxiliary Box Lead Termination	None
Base Indicator	Rigid
Bearing Grease Type	Polyrex EM (-20F +300F)
Blower	None
Constant Torque Speed Range	1.0
Current @ Voltage	20.600 A @ 575.0 V
Design Code	A
Drip Cover	No Drip Cover
Duty Rating	CONT
Efficiency @ 100% Load	93.0 %
Electrically Isolated Bearing	Not Electrically Isolated
Feedback Device	NO FEEDBACK
Front Face Code	Standard
Front Shaft Indicator	None

Part Detail

Revision	AH
Type	AC
Mech. spec.	10H292
Base	
Status	PRD/A
Elec. spec.	10WGY161
Layout	10LYH292
Eff. date	09-29-2025
CD Diagram	CD0006
Poles	06
Leads	3#10
Proprietary	False
Created date	01-09-2013

Haz Area Temp Code	T3C
Heater Indicator	No Heater
High Voltage Full Load Amps	20.6 a
Insulation Class	F
Inverter Code	Inverter Duty
KVA Code	H
Lifting Lugs	Standard Lifting Lugs
Locked Bearing Indicator	Locked Bearing
Max Speed	1800 rpm
Motor Lead Exit	Ko Box
Motor Lead Quantity/Wire Size	3 @ 10 AWG
Motor Lead Termination	Flying Leads
Motor Standards	NEMA
Motor Type	1062M
Mounting Arrangement	F1
Number of Poles	6
Overall Length	28.00 IN
Power Factor	78
Product Family	Super-E Chemical Processing
Pulley End Bearing Type	Ball
Pulley Face Code	Standard
Pulley Shaft Indicator	Standard
Rodent Screen	None
RoHS Status	ROHS NON-COMPLIANT
Service Factor	1.15
Shaft Diameter	1.875 IN
Shaft Extension Location	Pulley End
Shaft Ground Indicator	No Shaft Grounding
Shaft Rotation	Reversible
Shaft Slinger Indicator	Shaft Slinger
Speed	1180 rpm
Speed Code	Single Speed
Starting Method	Direct on line
Thermal Device - Bearing	None

Thermal Device - Winding	None
Vibration Sensor Indicator	No Vibration Sensor
Winding Thermal 1	None
Winding Thermal 2	None

Nameplate

NP3241

CAT.NO.	ECP4102T-5	P/N		ENCLOSURE	TEFC
SPEC.	10H292Y161G1	CC	010A	FRAME	286T
HP	20	CLASS	F	HZ	60
RPM	1180	RPM MAX	1800	PH	3
VOLT	575	MOTOR WEIGHT	478	ODE BRG	6311
AMP	20.6	SER.F.	1.15	PF	78
RATING	40C AMB-CONT	NEMA-NOM-EFF	93	GREASE	POLYREX EM
		INV.TYPE	PWM		
TEMP CODE	T3C	INVERTER-TEMP-CODE	180		
TEMP =	160	C HP FR	60	C HP TO	90
CT HZ FROM	1.0	CT HZ TO	60		
HTR-VOLTS		HTR-AMPS		HTR-WATTS	
		MAX. SPACE HEATER TEMP.		VT HZ FROM	0
				VT HZ TO	60

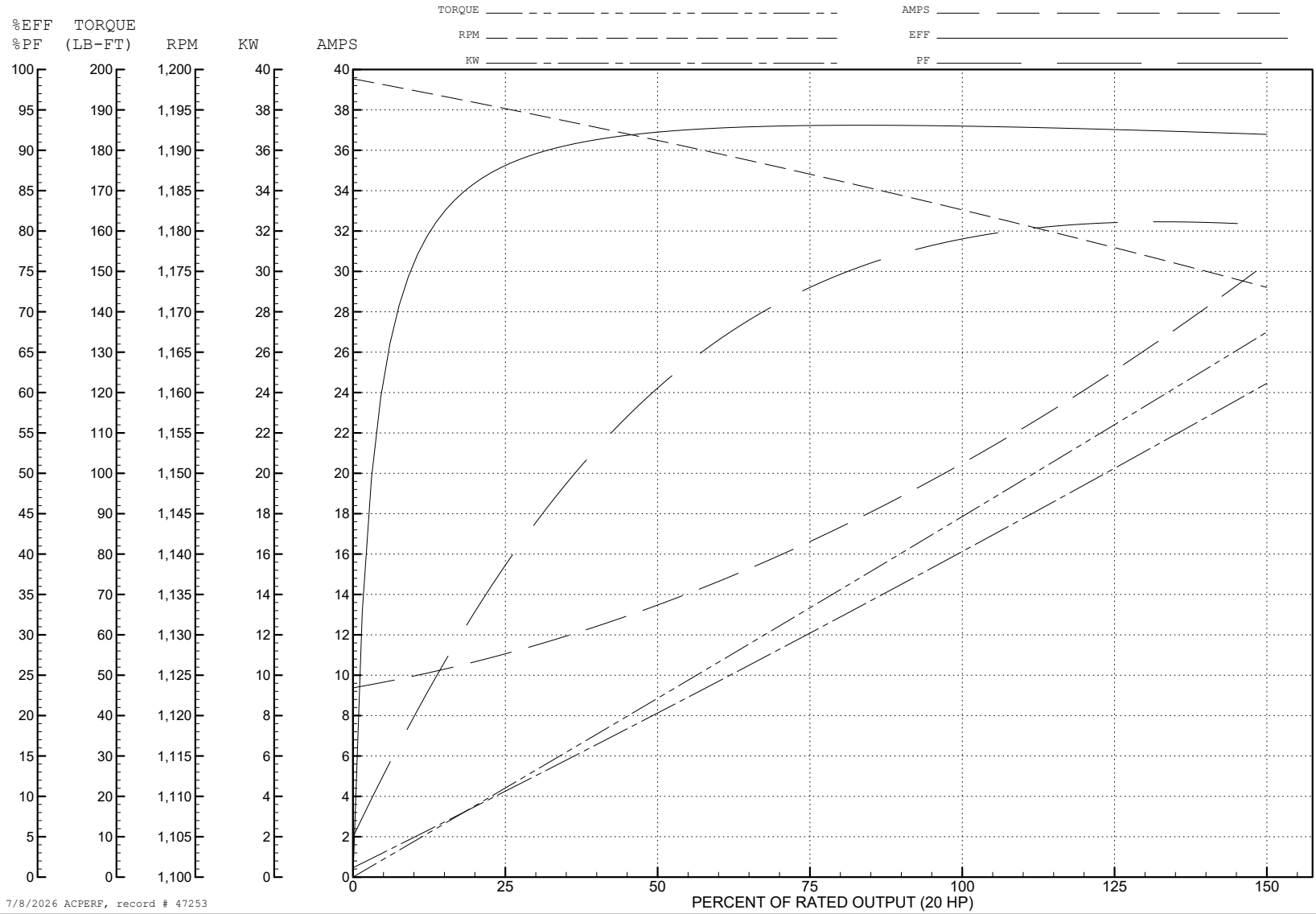
ABB Motors and Mechanical Inc.

WINDING # 10WGY161

Typical performance - not guaranteed values.

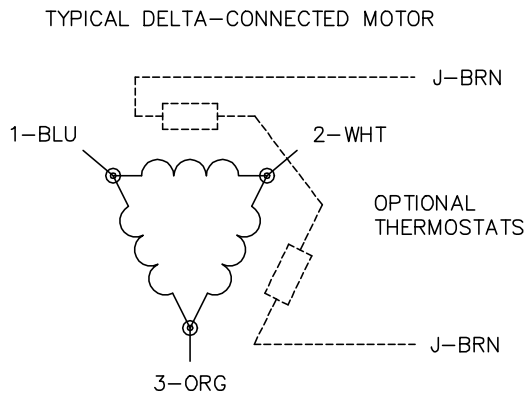
20 HP 3 PH 60 HZ 1180 RPM 575 V 1062M

TORQUES (LB-FT): PO=281 PU=110 LR=156 LRA=135



7/8/2026 ACPERF, record # 47253

CD0006



NOTES:

1. THREE LEAD MOTOR MAY BE EITHER WYE CONNECTED OR DELTA CONNECTED.
2. INTERCHANGE ANY TWO LINE LEADS TO REVERSE ROTATION.
3. OPTIONAL THERMOSTATS ARE PROVIDED WHEN SPECIFIED.
4. ACTUAL NUMBER OF INTERNAL PARALLEL CIRCUITS MAY VARY.
5. LEAD COLORS ARE OPTIONAL. LEADS MUST BE NUMBERED AS SHOWN.

CD0006

REV. DESC: ADD CLASS CONN00000007		
REV. LTR: E	VERSION: 01	TDR: 000001099922
FILE: \AAA\00005\141	REVISED: 10:24:49 02/19/2019	BY: ENBRIRO
MTL: -	© □	

BALDOR - RELIANCE®

3PH, SV, 3 LEADS, WYE OR DELTA CONNECTED

SH 1 of 1