



Customer information packet

ECP3774T-5

10HP, 1760RPM, 3PH, 60HZ, 215T, 0748M, TEFC, F1

Class - CLI GP A,B,C,D

Division - Division II

Specifications

Enclosure	TEFC
Frame	215T
Frame Material	Iron
Frequency	60.00 Hz
Motor Letter Type	Three Phase
Output @ Frequency	10.000 HP @ 60 HZ
Phase	3
Synchronous Speed @ Frequency	1800 RPM @ 60 HZ
Voltage @ Frequency	575.0 V @ 60 HZ
XP Class and Group	CLI GP A,B,C,D
XP Division	Division II
Agency Approvals	CSA EEV NEMA PREMIUM NEMA_PREMIUM UR CCSA US
Ambient Temperature	40 °C
Auxillary Box	No Auxillary Box
Auxillary Box Lead Termination	None
Base Indicator	Rigid
Bearing Grease Type	Polyrex EM (-20F +300F)
Blower	None
Constant Torque Speed Range	1.3
Current @ Voltage	10.000 A @ 575.0 V
Design Code	A
Drip Cover	No Drip Cover
Duty Rating	CONT
Efficiency @ 100% Load	92.4 %
Electrically Isolated Bearing	Not Electrically Isolated
Enclosure Modification	Severe Duty Features
Feedback Device	NO FEEDBACK
Front Face Code	Standard

Part detail

Revision	Y
Type	AC
Mech. spec.	07K374
Base	
Status	PRD/A
Elec. spec.	07WGX493
Layout	07LYK374
Eff. date	07-12-2023
CD Diagram	CD0006
Poles	04
Leads	3#14
Proprietary	False
Created date	03-19-2009

Front Shaft Indicator	None
Heater Indicator	No Heater
High Voltage Full Load Amps	10.0 a
Insulation Class	F
Inverter Code	Inverter Duty
KVA Code	H
Lifting Lugs	Standard Lifting Lugs
Locked Bearing Indicator	No Locked Bearing
Max Speed	2700 rpm
Motor Lead Exit	Ko Box
Motor Lead Quantity/Wire Size	3 @ 14 AWG
Motor Lead Termination	Flying Leads
Motor Standards	NEMA
Motor Type	0748M
Mounting Arrangement	F1
Number of Poles	4
Overall Length	19.50 IN
Power Factor	81
Product Family	Super-E Chemical Processing
Pulley End Bearing Type	Ball
Pulley Face Code	Standard
Pulley Shaft Indicator	Standard
Rodent Screen	None
Service Factor	1.15
Shaft Diameter	1.375 IN
Shaft Extension Location	Pulley End
Shaft Ground Indicator	No Shaft Grounding
Shaft Rotation	Reversible
Shaft Slinger Indicator	Shaft Slinger
Speed	1760 rpm
Speed Code	Single Speed
Starting Method	Direct on line
Thermal Device - Bearing	None
Thermal Device - Winding	None

Vibration Sensor Indicator	No Vibration Sensor
Winding Thermal 1	None
Winding Thermal 2	None
XP Temp Code	T3C

Nameplate

NP3257									
CAT.NO.	ECP3774T-5								
SPEC.	07K374X493								
HP	10 TE								
VOLTS	575								
AMP	10								
RPM	1760								
FRAME	215T		HZ	60		PH	3		
SER.F.	1.15	CODE	H	DES	A	CL	F		
RATING	40C AMB-CONT								
SN									
DE	6307	ODE	6307						
NEMA-NOM-EFF	92.4	PF	81						
G.MIN.EFF	91.0	CC	010A						
T. CODE	T3C	T=	160						

NP3260			
SPEC.	07K374X493		
D.E. BRG.	35BC03XP30X		
O.D.E. BRG.	35BC03XP30X		
GREASE	POLYREX EM		
RPM MAX	2700	MAX. KVAR	1.9
BLANK			
INV.TYPE	PWM		
T=	160		
C HP FR	60	C HP TO	90
CT HZ FROM	1.3	CT HZ TO	60
VT HZ FROM	-0	VT HZ TO	60
HTR-VOLTS		HTR-AMPS	
HTR-WATTS		MAX. SPACE HEATER TEMP.	

Accessories

Part number	Description	Multiplier
37-1304	C FACE KIT	A8

AC Induction Motor Performance Data

Record # 47026

Typical performance - not guaranteed values

Winding: 07WGX493-R017		Type: 0748M		Enclosure: TEFC	
Nameplate Data			575 V, 60 Hz: Single Voltage Motor		
Rated Output (HP)	10	Full Load Torque	29.7 LB-FT		
Volts	575	Start Configuration	direct on line		
Full Load Amps	10	Breakdown Torque	87.4 LB-FT		
R.P.M.	1760	Pull-up Torque	52.1 LB-FT		
Hz	60 Phase	3	Locked-rotor Torque	57.7 LB-FT	
NEMA Design Code	A	KVA Code	H	Starting Current	70.9 A
Service Factor (S.F.)	1.15	No-load Current	4.1 A		
NEMA Nom. Eff.	92.4	Power Factor	81	Line-line Res. @ 25°C	1.44 Ω
Rating - Duty	40C AMB-CONT		Temp. Rise @ Rated Load	59°C	
S.F. Amps			Temp. Rise @ S.F. Load	73°C	
			Rotor inertia	1.18 LB-FT ²	

Load Characteristics 575 V, 60 Hz, 10 HP

% of Rated Load	25	50	75	100	125	150	S.F.
Power Factor	44	67	78	83	84	85	84
Efficiency	89.7	92.9	92.9	92.1	91.4	90.2	91.7
Speed	1790	1781	1771	1762	1750	1739	1755
Line amperes	4.67	6.02	7.8	9.82	12.2	14.6	11.2

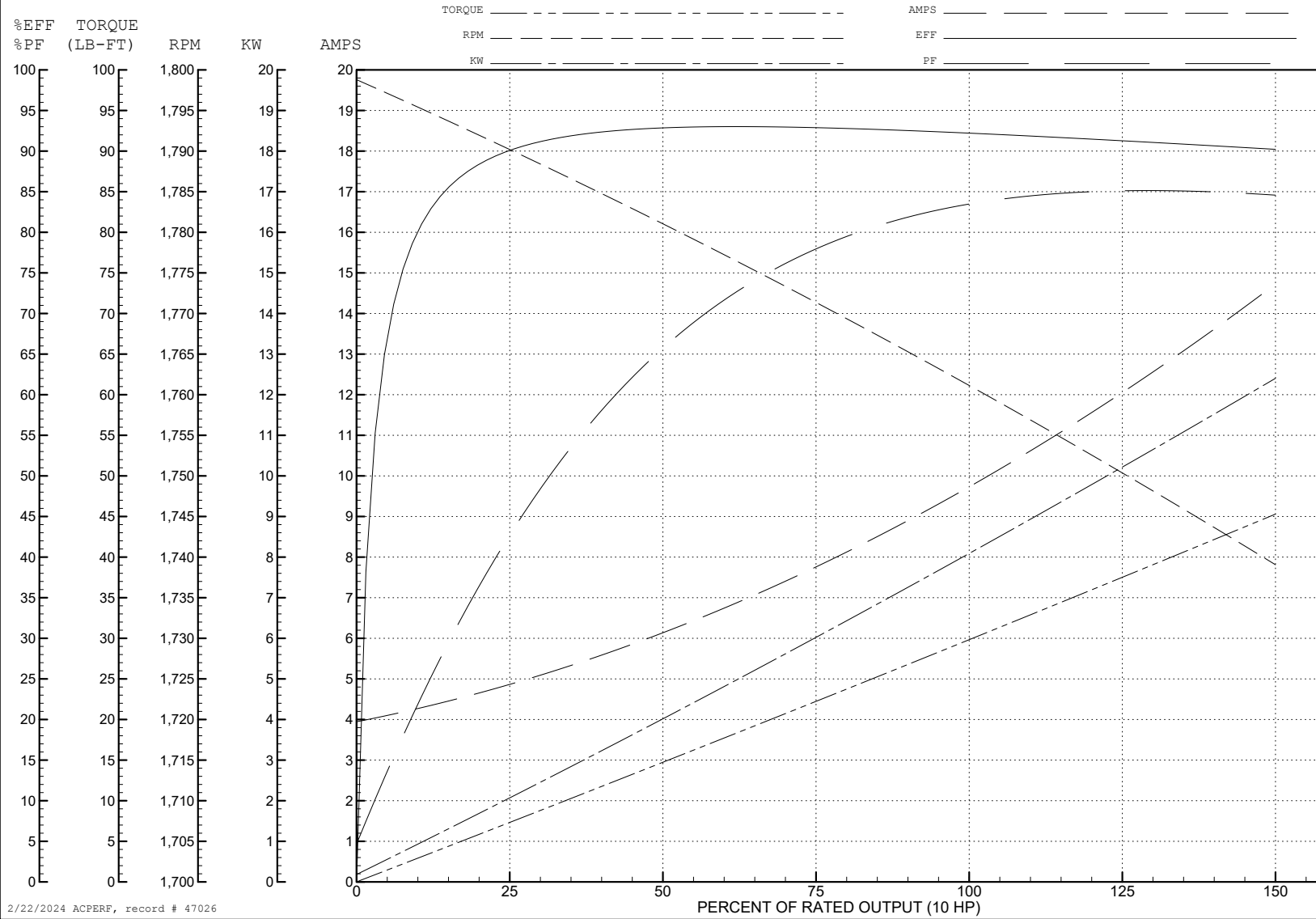
ABB Motors and Mechanical Inc.

WINDING # 07WGX493

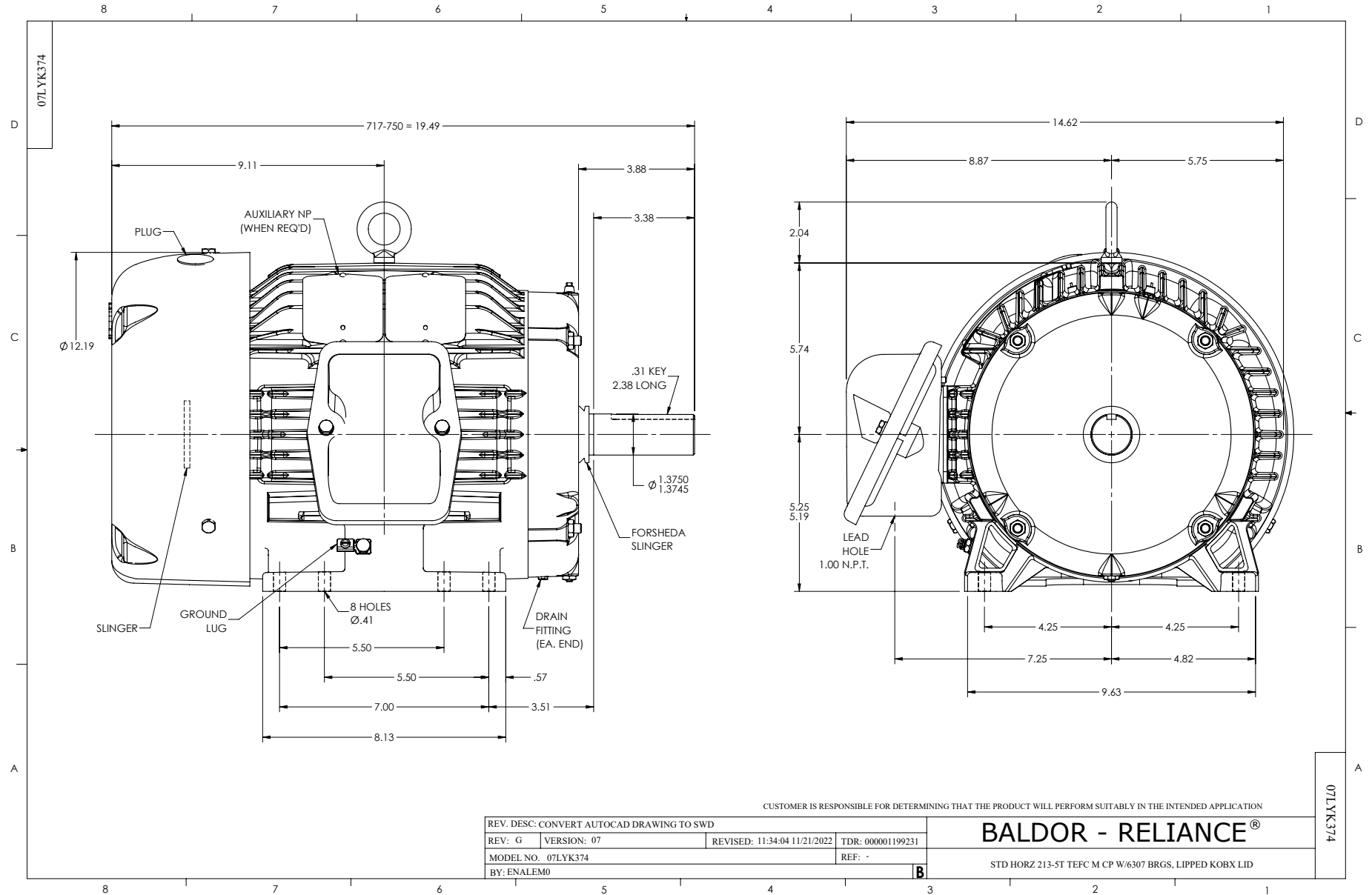
Typical performance - not guaranteed values.

10 HP 3 PH 60 HZ 1760 RPM 575 V 0748M

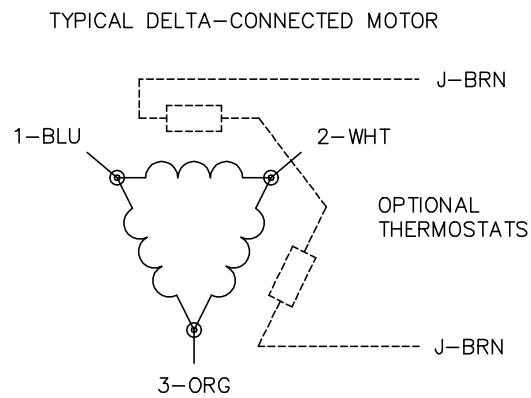
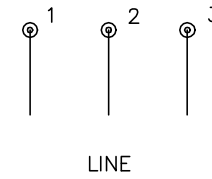
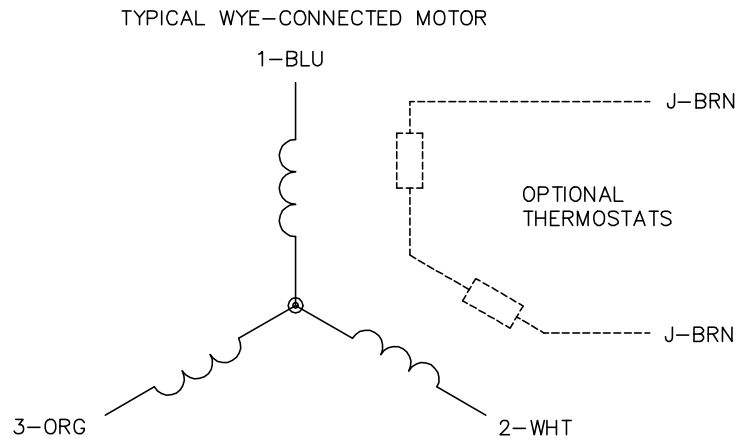
TORQUES (LB-FT): PO=87.4 PU=52.1 LR=57.7 LRA=70.9



2/22/2024 ACPERF, record # 47026



CD0006



NOTES:

1. THREE LEAD MOTOR MAY BE EITHER WYE CONNECTED OR DELTA CONNECTED.
2. INTERCHANGE ANY TWO LINE LEADS TO REVERSE ROTATION.
3. OPTIONAL THERMOSTATS ARE PROVIDED WHEN SPECIFIED.
4. ACTUAL NUMBER OF INTERNAL PARALLEL CIRCUITS MAY VARY.
5. LEAD COLORS ARE OPTIONAL. LEADS MUST BE NUMBERED AS SHOWN.

CD0006

REV. DESC: ADD CLASS CONN00000007		
REV. LTR: E	VERSION: 01	TDR: 000001099922
FILE: \AAA\00005\141	REVISED: 10:24:49 02/19/2019	BY: ENBRIRO
MTL: -	© □	

BALDOR - RELIANCE®

3PH, SV, 3 LEADS, WYE OR DELTA CONNECTED

SH 1 of 1