



Customer information packet

ECP3769T-5

7.5HP, 3510RPM, 3PH, 60HZ, 213T, 0732M, TEFC, F

Class - CLI GP A,B,C,D

Division - Division II

Specifications

Enclosure	TEFC
Frame	213T
Frame Material	Iron
Frequency	60.00 Hz
Motor Letter Type	Three Phase
Output @ Frequency	7.500 HP @ 60 HZ
Phase	3
Synchronous Speed @ Frequency	3600 RPM @ 60 HZ
Voltage @ Frequency	575.0 V @ 60 HZ
XP Class and Group	CLIP A,B,C,D
XP Division	Division II
Agency Approvals	CSA EEV NEMA PREMIUM NEMA PREMIUM UR CCSA US
Ambient Temperature	40 °C
Auxillary Box	No Auxillary Box
Auxillary Box Lead Termination	None
Base Indicator	Rigid
Bearing Grease Type	Polyrex EM (-20F +300F)
Blower	None
Constant Torque Speed Range	6
Current @ Voltage	6.900 A @ 575.0 V
Design Code	B
Drip Cover	No Drip Cover
Duty Rating	CONT
Efficiency @ 100% Load	91.7 %
Electrically Isolated Bearing	Not Electrically Isolated
Enclosure Modification	Severe Duty Features
Feedback Device	NO FEEDBACK
Front Face Code	Standard

Part detail

Revision	S
Type	AC
Mech. spec.	07K374
Base	
Status	PRD/A
Elec. spec.	07WGY902
Layout	07LYK374
Eff. date	07-12-2023
CD Diagram	CD0006
Poles	02
Leads	3#14
Proprietary	False
Created date	06-11-2013

Front Shaft Indicator	None
Heater Indicator	No Heater
High Voltage Full Load Amps	6.9 a
Insulation Class	F
Inverter Code	Inverter Duty
KVA Code	H
Lifting Lugs	Standard Lifting Lugs
Locked Bearing Indicator	No Locked Bearing
Max Speed	5400 rpm
Motor Lead Exit	Ko Box
Motor Lead Quantity/Wire Size	3 @ 14 AWG
Motor Lead Termination	Flying Leads
Motor Standards	NEMA
Motor Type	0732M
Mounting Arrangement	F1
Number of Poles	2
Overall Length	19.50 IN
Power Factor	88
Product Family	Chemical Processing (Not DC)
Pulley End Bearing Type	Ball
Pulley Face Code	Standard
Pulley Shaft Indicator	Standard
Rodent Screen	None
RoHS Status	ROHS COMPLIANT
Service Factor	1.15
Shaft Diameter	1.375 IN
Shaft Extension Location	Pulley End
Shaft Ground Indicator	No Shaft Grounding
Shaft Rotation	Reversible
Shaft Slinger Indicator	Shaft Slinger
Speed	3510 rpm
Speed Code	Single Speed
Starting Method	Direct on line
Thermal Device - Bearing	None

Thermal Device - Winding	None
Vibration Sensor Indicator	No Vibration Sensor
Winding Thermal 1	None
Winding Thermal 2	None
XP Temp Code	T3C

Nameplate

NP3257									
CAT.NO.	ECP3769T-5								
SPEC.	07K374Y902G2								
HP	7.5 TE								
VOLTS	575								
AMP	6.9								
RPM	3510								
FRAME	213T		HZ	60		PH	3		
SER.F.	1.15	CODE	H	DES	B	CL	F		
RATING	40C AMB-CONT								
SN									
DE	6307		ODE	6307					
NEMA-NOM-EFF	91.7		PF	88					
G.MIN.EFF	90.2	CC	010A						
T. CODE	T3C	T=	160						

NP3260			
SPEC.	07K374Y902G2		
D.E. BRG.	35BC03XP30X		
O.D.E. BRG.	35BC03XP30X		
GREASE	POLYREX EM		
RPM MAX	5400	MAX. KVAR	0.3
BLANK			
INV.TYPE	PWM		
T=	160		
C HP FR	60	C HP TO	90
CT HZ FROM	6	CT HZ TO	60
VT HZ FROM	3	VT HZ TO	60
HTR-VOLTS		HTR-AMPS	
HTR-WATTS		MAX. SPACE HEATER TEMP.	

AC Induction Motor Performance Data

Record # 47128

Typical performance - not guaranteed values

Winding: 07WGY902-R007		Type: 0732M		Enclosure: TEFC	
Nameplate Data			575 V, 60 Hz: Single Voltage Motor		
Rated Output (HP)	7.5	Full Load Torque	11.11 LB-FT		
Volts	575	Start Configuration	direct on line		
Full Load Amps	6.9	Breakdown Torque	45.71 LB-FT		
R.P.M.	3510	Pull-up Torque	15.4 LB-FT		
Hz	60 Phase	3	Locked-rotor Torque	21.9 LB-FT	
NEMA Design Code	B KVA Code	H	Starting Current	50.3 A	
Service Factor (S.F.)	1.15		No-load Current	2.35 A	
NEMA Nom. Eff.	91.7	Power Factor	88		
Rating - Duty	40C AMB-CONT		Temp. Rise @ Rated Load	44°C	
S.F. Amps			Temp. Rise @ S.F. Load	54°C	
			Locked-rotor Power Factor	31.7	
			Rotor inertia	0.292 LB-FT ²	

Load Characteristics 575 V, 60 Hz, 7.5 HP

% of Rated Load	25	50	75	100	125	150	S.F.
Power Factor	61	79	86	89	90	89	89
Efficiency	73	82.4	85.9	86.9	87.1	86.8	91.3
Speed	3576	3555	3533	3508	3482	3452	3494
Line amperes	3	4.21	5.66	7.19	8.92	10.81	7.88

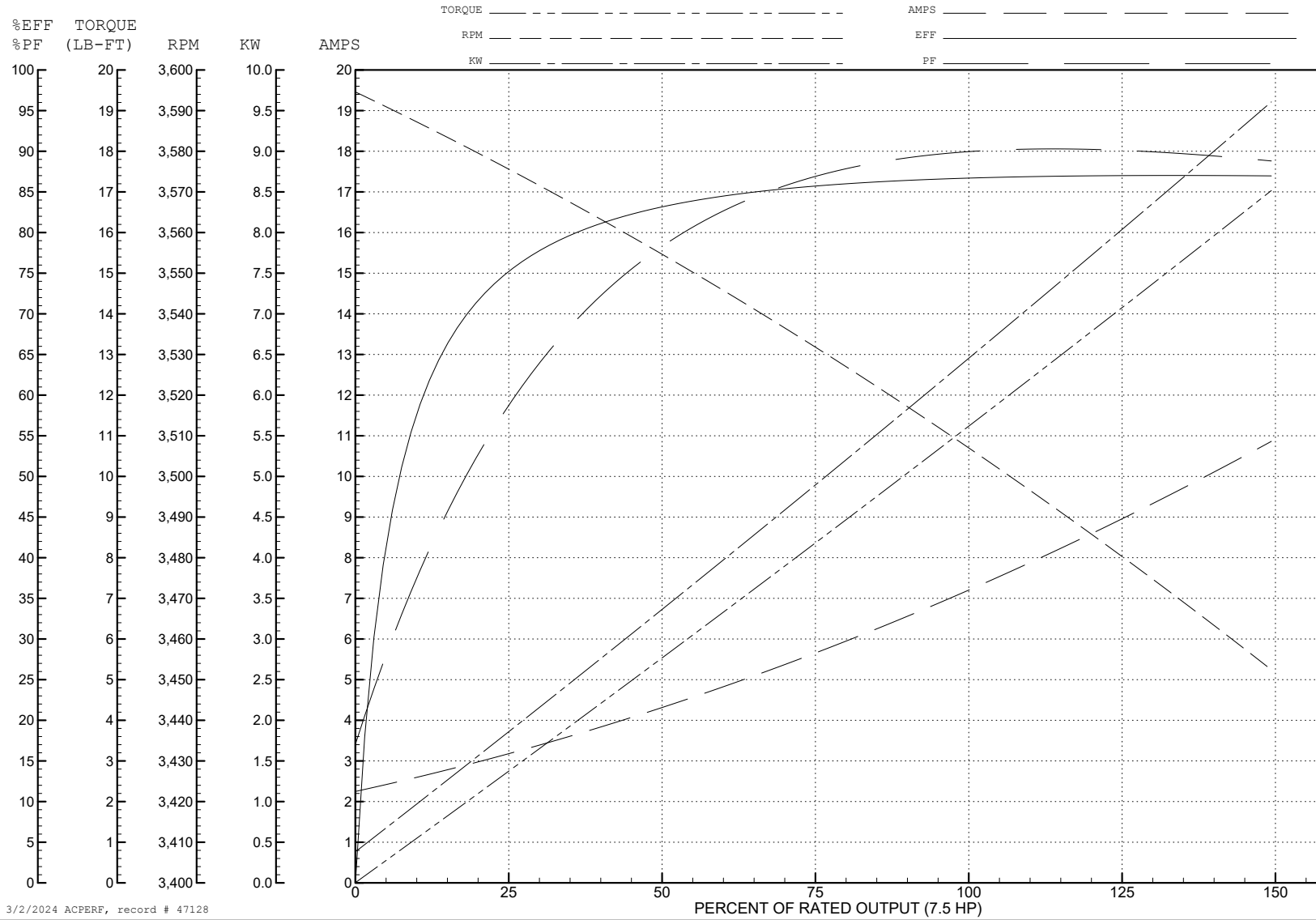
ABB Motors and Mechanical Inc.

WINDING # 07WGY902

7.5 HP 3 PH 60 HZ 3510 RPM 575 V 0732M

Typical performance - not guaranteed values.

TORQUES (LB-FT): PO=45.71 PU=15.4 LR=21.9 LRA=50.3



3/2/2024 ACPERF, record # 47128

AC Induction Motor Performance Data

Record # 78926

Typical performance - not guaranteed values

Winding: 07WGY902-R007		Type: 0732M		Enclosure: TEFC	
Nameplate Data			460 V, 60 Hz: Single Voltage Motor		
Rated Output (HP)	7.5	Full Load Torque	11.26 LB-FT		
Volts	575	Start Configuration	direct on line		
Full Load Amps	6.9	Breakdown Torque	29.23 LB-FT		
R.P.M.	3510	Pull-up Torque	9.64 LB-FT		
Hz	60 Phase	3	Locked-rotor Torque	13.71 LB-FT	
NEMA Design Code	B	KVA Code	H	Starting Current	39.73 A
Service Factor (S.F.)	1.15		No-load Current	1.71 A	
NEMA Nom. Eff.	91.7	Power Factor	88	Line-line Res. @ 25°C	1.73 Ω
Rating - Duty	40C AMB-CONT		Temp. Rise @ Rated Load	52°C	
S.F. Amps			Temp. Rise @ S.F. Load	69°C	
			Locked-rotor Power Factor	31.3	
			Rotor inertia	0.292 LB-FT ²	

Load Characteristics 460 V, 60 Hz, 7.5 HP

% of Rated Load	25	50	75	100	125	150	S.F.
Power Factor	72	87	90	91	90	87	90
Efficiency	88.4	91.5	91.4	90.3	88.4	86	89.2
Speed	3569	3538	3503	3464	3419	3361	3437
Line amperes	2.65	4.32	6.32	8.46	10.97	13.96	9.97

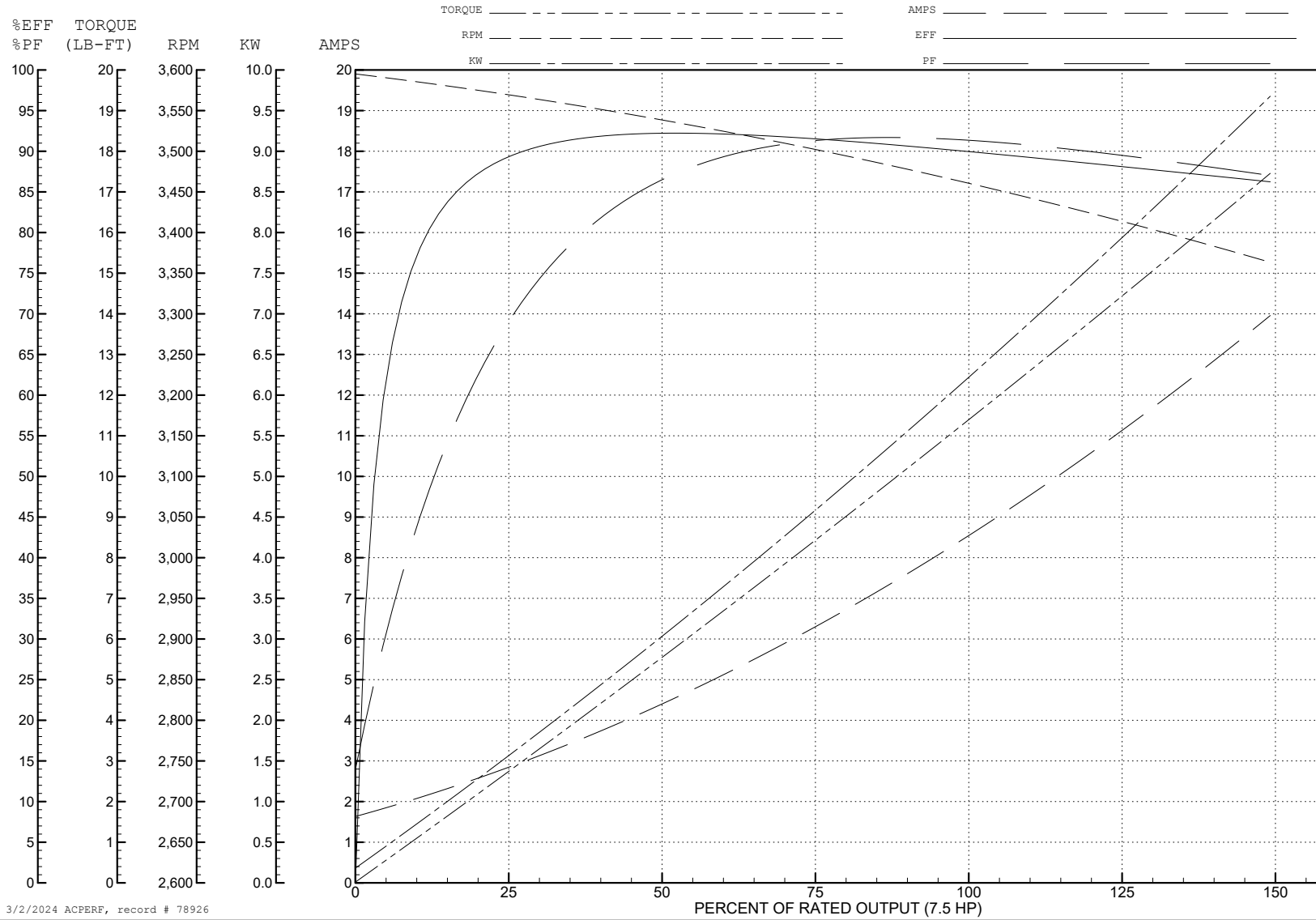
ABB Motors and Mechanical Inc.

WINDING # 07WGY902

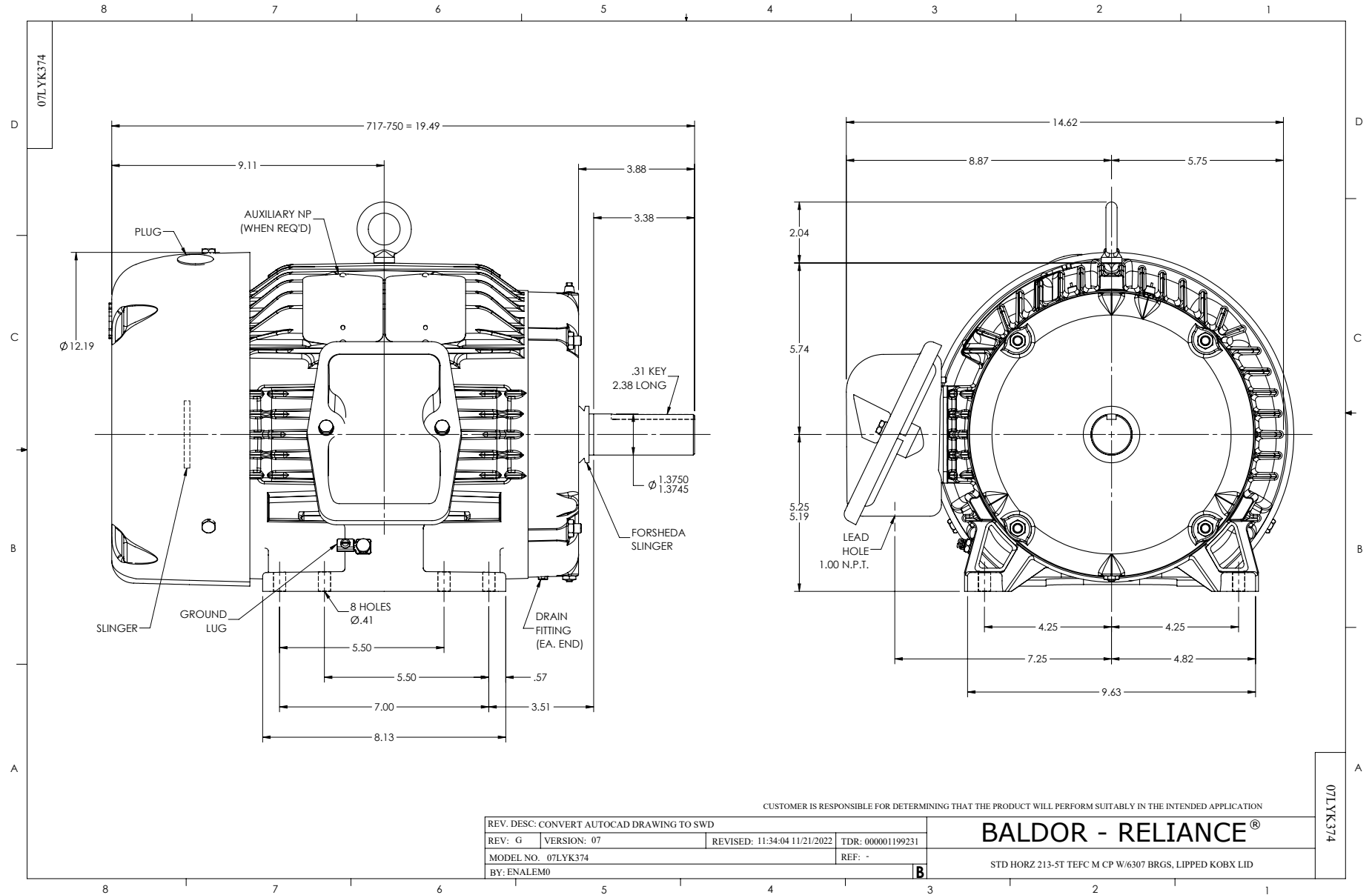
Typical performance - not guaranteed values.

7.5 HP 3 PH 60 HZ 3510 RPM 460 V 0732M

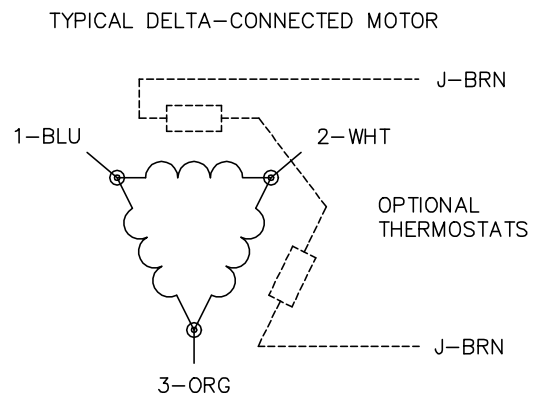
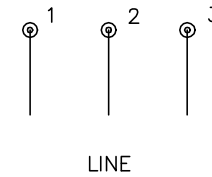
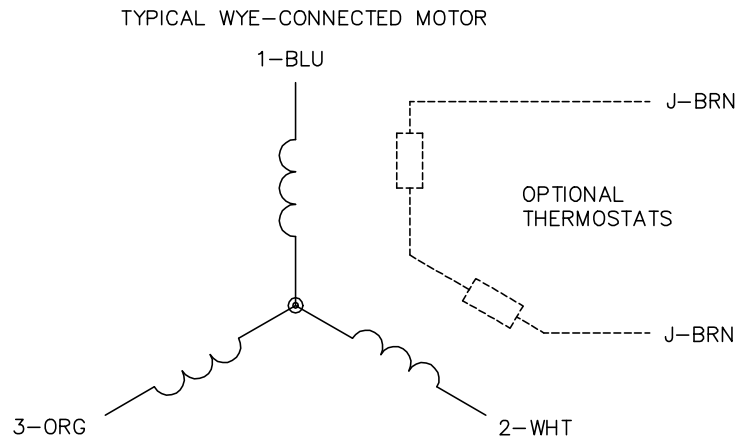
TORQUES (LB-FT): PO=29.23 PU=9.64 LR=13.71 LRA=39.73



3/2/2024 ACPERF, record # 78926



CD0006



NOTES:

1. THREE LEAD MOTOR MAY BE EITHER WYE CONNECTED OR DELTA CONNECTED.
2. INTERCHANGE ANY TWO LINE LEADS TO REVERSE ROTATION.
3. OPTIONAL THERMOSTATS ARE PROVIDED WHEN SPECIFIED.
4. ACTUAL NUMBER OF INTERNAL PARALLEL CIRCUITS MAY VARY.
5. LEAD COLORS ARE OPTIONAL. LEADS MUST BE NUMBERED AS SHOWN.

CD0006

REV. DESC: ADD CLASS CONN00000007		
REV. LTR: E	VERSION: 01	TDR: 000001099922
FILE: \AAA\00005\141	REVISED: 10:24:49 02/19/2019	BY: ENBRIRO
MTL: -		© □

BALDOR - RELIANCE®

3PH, SV, 3 LEADS, WYE OR DELTA CONNECTED

SH 1 of 1