

ABB BALDOR RELIANCE III

Customer information packet

ECP3769T-4

7.5HP, 3510RPM, 3PH, 60HZ, 213T, 0732M, TEFC, F

Class - CLI GP A,B,C,D

Division - Division II

Specifications

Enclosure	TEFC
Frame	213T
Frame Material	Iron
Frequency	60.00 Hz
Haz Area Class and Group	CLI GP A,B,C,D
Haz Area Division	Division II
Motor Letter Type	Three Phase
Output @ Frequency	7.500 HP @ 60 HZ
Phase	3
Synchronous Speed @ Frequency	3600 RPM @ 60 HZ
Voltage @ Frequency	460.0 V @ 60 HZ
Agency Approvals	CSA EEV NEMA PREMIUM NEMA_PREMIUM UR CCSA US
Ambient Temperature	40 °C
Auxiliary Box	NO AUXILLARY BOX
Auxiliary Box Lead Termination	None
Base Indicator	Rigid
Bearing Grease Type	Polyrex EM (-20F +300F)
Blower	None
Constant Torque Speed Range	6
Current @ Voltage	8.900 A @ 460.0 V
Design Code	B
Drip Cover	No Drip Cover
Duty Rating	CONT
Efficiency @ 100% Load	89.5 %
Electrically Isolated Bearing	Not Electrically Isolated
Enclosure Modification	841
Feedback Device	NO FEEDBACK
Front Face Code	Standard

Part Detail

Revision	X
Type	AC
Mech. spec.	07K374
Base	
Status	PRD/A
Elec. spec.	07WGY929
Layout	07LYK374
Eff. date	06-25-2024
CD Diagram	CD0006
Poles	02
Leads	3#14
Proprietary	False
Created date	11-29-2011

Front Shaft Indicator	None
Haz Area Temp Code	T3C
Heater Indicator	No Heater
High Voltage Full Load Amps	8.9 a
Insulation Class	F
Inverter Code	Inverter Duty
KVA Code	H
Lifting Lugs	Standard Lifting Lugs
Locked Bearing Indicator	No Locked Bearing
Max Speed	5400 rpm
Motor Lead Exit	Ko Box
Motor Lead Quantity/Wire Size	3 @ 14 AWG
Motor Lead Termination	Flying Leads
Motor Standards	NEMA
Motor Type	0732M
Mounting Arrangement	F1
Number of Poles	2
Overall Length	19.50 IN
Power Factor	89
Product Family	Chemical Processing (Not DC)
Pulley End Bearing Type	Ball
Pulley Face Code	Standard
Pulley Shaft Indicator	Standard
Rodent Screen	None
RoHS Status	ROHS COMPLIANT
Service Factor	1.15
Shaft Diameter	1.375 IN
Shaft Extension Location	Pulley End
Shaft Ground Indicator	No Shaft Grounding
Shaft Rotation	Reversible
Shaft Slinger Indicator	Shaft Slinger
Speed	3480 rpm
Speed Code	Single Speed
Starting Method	Direct on line

Thermal Device - Bearing	None
Thermal Device - Winding	None
Vibration Sensor Indicator	No Vibration Sensor
Winding Thermal 1	None
Winding Thermal 2	None

Nameplate

NP3257									
CAT.NO.	ECP3769T-4								
SPEC.	07K374Y929G1								
HP	7.5 TE								
VOLTS	460								
AMP	8.9								
RPM	3480								
FRAME	213T	HZ	60	PH	3				
SER.F.	1.15	CODE	H	DES	B	CL	F		
RATING	40C AMB-CONT								
SN									
DE	6307	ODE	6307						
NEMA-NOM-EFF	89.5	PF	89						
G.MIN.EFF	87.5	CC	010A						
T. CODE	T3C	T=	160						

NP3260

SPEC.	07K374Y929G1		
D.E. BRG.	35BC03XP30X		
O.D.E. BRG.	35BC03XP30X		
GREASE	POLYREX EM		
RPM MAX	5400	MAX. KVAR	0.34
BLANK			
INV. TYPE	PWM		
T=	160		
C HP FR	60	C HP TO	90
CT HZ FROM	6	CT HZ TO	60
VT HZ FROM	3	VT HZ TO	60
HTR-VOLTS		HTR-AMPS	
HTR-WATTS		MAX. SPACE HEATER TEMP.	

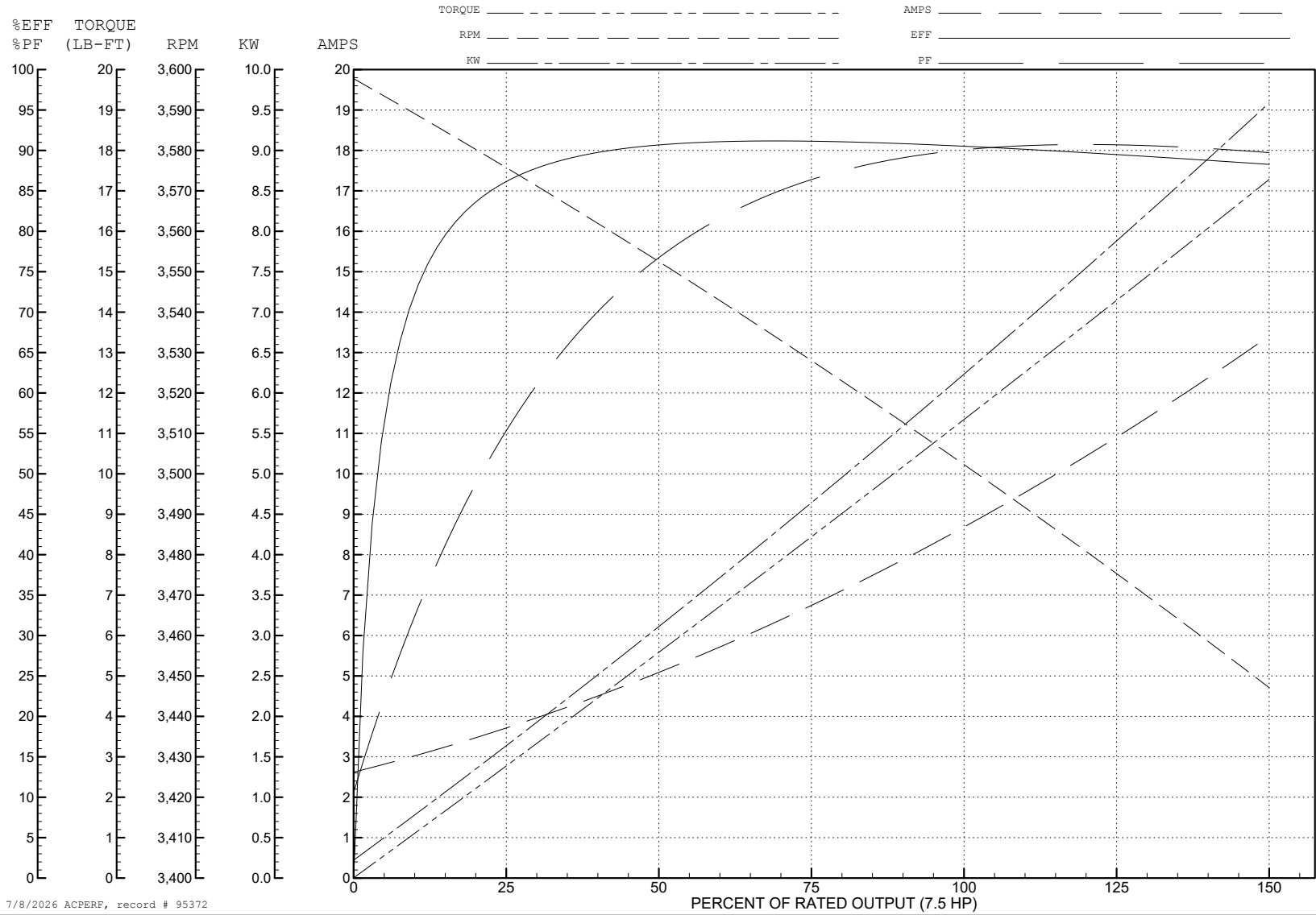
ABB Motors and Mechanical Inc.

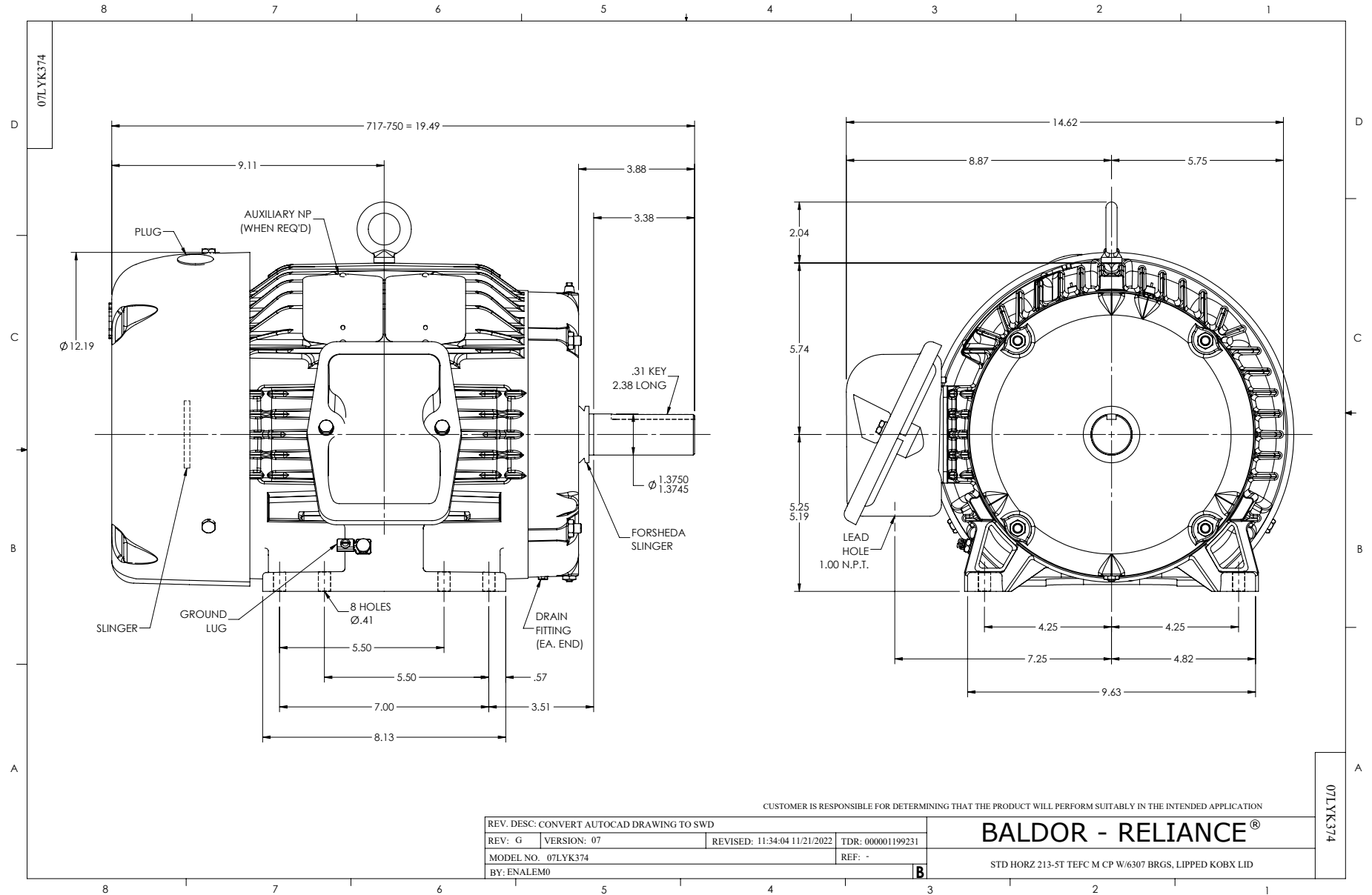
WINDING # 07WGY929

Typical performance - not guaranteed values.

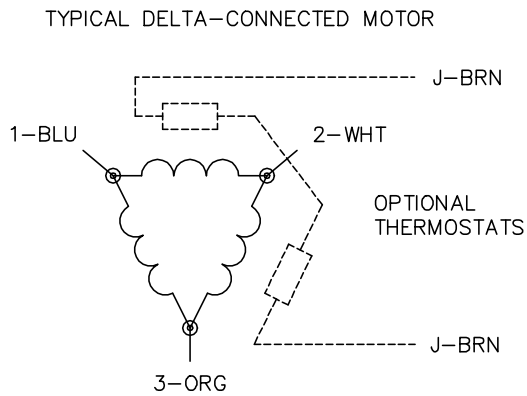
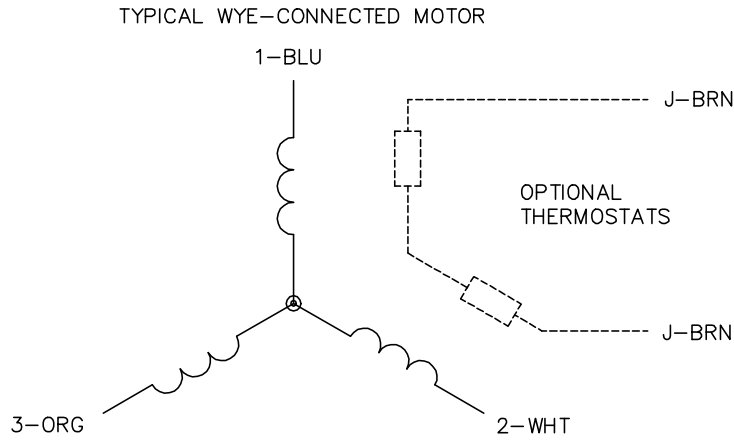
7.5 HP 3 PH 60 HZ 3480 RPM 460 V 0732M

TORQUES (LB-FT): PO=40.1 PU=18 LR=21.6 LRA=62





CD0006



NOTES:

1. THREE LEAD MOTOR MAY BE EITHER WYE CONNECTED OR DELTA CONNECTED.
2. INTERCHANGE ANY TWO LINE LEADS TO REVERSE ROTATION.
3. OPTIONAL THERMOSTATS ARE PROVIDED WHEN SPECIFIED.
4. ACTUAL NUMBER OF INTERNAL PARALLEL CIRCUITS MAY VARY.
5. LEAD COLORS ARE OPTIONAL. LEADS MUST BE NUMBERED AS SHOWN.

CD0006

REV. DESC: ADD CLASS CONN00000007		
REV. LTR: E	VERSION: 01	TDR: 000001099922
FILE: \AAA\00005\141	REVISED: 10:24:49 02/19/2019	BY: ENBRIRO
MTL: -	© □	

BALDOR - RELIANCE®

3PH, SV, 3 LEADS, WYE OR DELTA CONNECTED

SH 1 of 1