



---

# Customer information packet

## ECP3764T-5

3HP, 1165RPM, 3PH, 60HZ, 213T, 0738M, TEFC, F1

Class - CLI GP A,B,C,D

Division - Division II

## Specifications

Enclosure	TEFC
Frame	213T
Frame Material	Iron
Frequency	60.00 Hz
Haz Area Class and Group	CL I GP A,B,C,D
Haz Area Division	Division II
Motor Letter Type	Three Phase
Output @ Frequency	3.000 HP @ 60 HZ
Phase	3
Synchronous Speed @ Frequency	1200 RPM @ 60 HZ
Voltage @ Frequency	575.0 V @ 60 HZ
Agency Approvals	CSA EEV NEMA PREMIUM NEMA_PREMIUM UR CCSA US
Ambient Temperature	40 °C
Auxiliary Box	NO AUXILLARY BOX
Auxiliary Box Lead Termination	None
Base Indicator	Rigid
Bearing Grease Type	Polyrex EM (-20F +300F)
Blower	None
Constant Torque Speed Range	1.7
Current @ Voltage	3.600 A @ 575.0 V
Design Code	B
Drip Cover	No Drip Cover
Duty Rating	CONT
Efficiency @ 100% Load	90.2 %
Electrically Isolated Bearing	Not Electrically Isolated
Enclosure Modification	Severe Duty Features
Feedback Device	NO FEEDBACK
Front Face Code	Standard

## Part detail

Revision	Z
Type	AC
Mech. spec.	07K374
Base	
Status	PRD/A
Elec. spec.	07WGX904
Layout	07LYK374
Eff. date	10-01-2025
CD Diagram	CD0006
Poles	06
Leads	3#14
Proprietary	False
Created date	03-20-2009

Front Shaft Indicator	None
Haz Area Temp Code	T3C
Heater Indicator	No Heater
High Voltage Full Load Amps	3.6 a
Insulation Class	F
Inverter Code	Inverter Duty
KVA Code	K
Lifting Lugs	Standard Lifting Lugs
Locked Bearing Indicator	No Locked Bearing
Max Speed	1800 rpm
Motor Lead Exit	Ko Box
Motor Lead Quantity/Wire Size	3 @ 14 AWG
Motor Lead Termination	Flying Leads
Motor Standards	NEMA
Motor Type	0738M
Mounting Arrangement	F1
Number of Poles	6
Overall Length	19.50 IN
Power Factor	70
Product Family	Super-E Chemical Processing
Pulley End Bearing Type	Ball
Pulley Face Code	Standard
Pulley Shaft Indicator	Standard
Rodent Screen	None
RoHS Status	ROHS COMPLIANT
Service Factor	1.15
Shaft Diameter	1.375 IN
Shaft Extension Location	Pulley End
Shaft Ground Indicator	No Shaft Grounding
Shaft Rotation	Reversible
Shaft Slinger Indicator	Shaft Slinger
Speed	1165 rpm
Speed Code	Single Speed
Starting Method	Direct on line

<b>Thermal Device - Bearing</b>	None
<b>Thermal Device - Winding</b>	None
<b>Vibration Sensor Indicator</b>	No Vibration Sensor
<b>Winding Thermal 1</b>	None
<b>Winding Thermal 2</b>	None

**Nameplate**

<b>NP3257</b>									
<b>CAT.NO.</b>	ECP3764T-5								
<b>SPEC.</b>	07K374X904								
<b>HP</b>	3 TE								
<b>VOLTS</b>	575								
<b>AMP</b>	3.6								
<b>RPM</b>	1165								
<b>FRAME</b>	213T		<b>HZ</b>	60		<b>PH</b>	3		
<b>SER.F.</b>	1.15	<b>CODE</b>	K	<b>DES</b>	B	<b>CL</b>	F		
<b>RATING</b>	40C AMB-CONT								
<b>SN</b>									
<b>DE</b>	6307	<b>ODE</b>	6307						
<b>NEMA-NOM-EFF</b>	90.2	<b>PF</b>	70						
<b>G.MIN.EFF</b>	88.5	<b>CC</b>	010A						
<b>T. CODE</b>	T3C	<b>T=</b>	160						

<b>NP3260</b>			
<b>SPEC.</b>	07K374X904		
<b>D.E. BRG.</b>	35BC03XP30X		
<b>O.D.E. BRG.</b>	35BC03XP30X		
<b>GREASE</b>	POLYREX EM		
<b>RPM MAX</b>	1800	<b>MAX. KVAR</b>	1.3
<b>BLANK</b>			
<b>INV.TYPE</b>	PWM		
<b>T=</b>	160		
<b>C HP FR</b>	60	<b>C HP TO</b>	90
<b>CT HZ FROM</b>	1.7	<b>CT HZ TO</b>	60
<b>VT HZ FROM</b>	0-	<b>VT HZ TO</b>	60
<b>HTR-VOLTS</b>		<b>HTR-AMPS</b>	
<b>HTR-WATTS</b>		<b>MAX. SPACE HEATER TEMP.</b>	

**AC Induction Motor Performance Data**

Record # 47123

Typical performance - not guaranteed values

Winding: 07WGX904-R006		Type: 0738M	Enclosure: TEAO	
<b>Nameplate Data</b>			<b>575 V, 60 Hz: Single Voltage Motor</b>	
Rated Output (HP)	3 AIR OVER	Full Load Torque	13.5 LB-FT	
Volts	575	Start Configuration	direct on line	
Full Load Amps	3.6	Breakdown Torque	46.4 LB-FT	
R.P.M.	1165	Pull-up Torque	30.38 LB-FT	
Hz	60 Phase	Locked-rotor Torque	34.2 LB-FT	
NEMA Design Code	B KVA Code	Starting Current	25.41 A	
Service Factor (S.F.)	1.15	No-load Current	1.88 A	
NEMA Nom. Eff.	90.2 Power Factor	Line-line Res. @ 25°C	4.11 Ω	
Rating - Duty	40C AMB-CONT	Temp. Rise @ Rated Load	31°C	
S.F. Amps		Temp. Rise @ S.F. Load	37°C	
		Locked-rotor Power Factor	22.8	
		Rotor inertia	0.945 LB-FT <sup>2</sup>	

**Load Characteristics 575 V, 60 Hz, 3 HP**

% of Rated Load	25	50	75	100	125	150	S.F.
Power Factor	33	51	62	69	73	75	71
Efficiency	83.2	88.7	90.7	90.2	89.4	87.6	89.8
Speed	1191	1184	1176	1168	1159	1147	1163
Line amperes	2.1	2.49	2.99	3.6	4.31	5.11	4.03

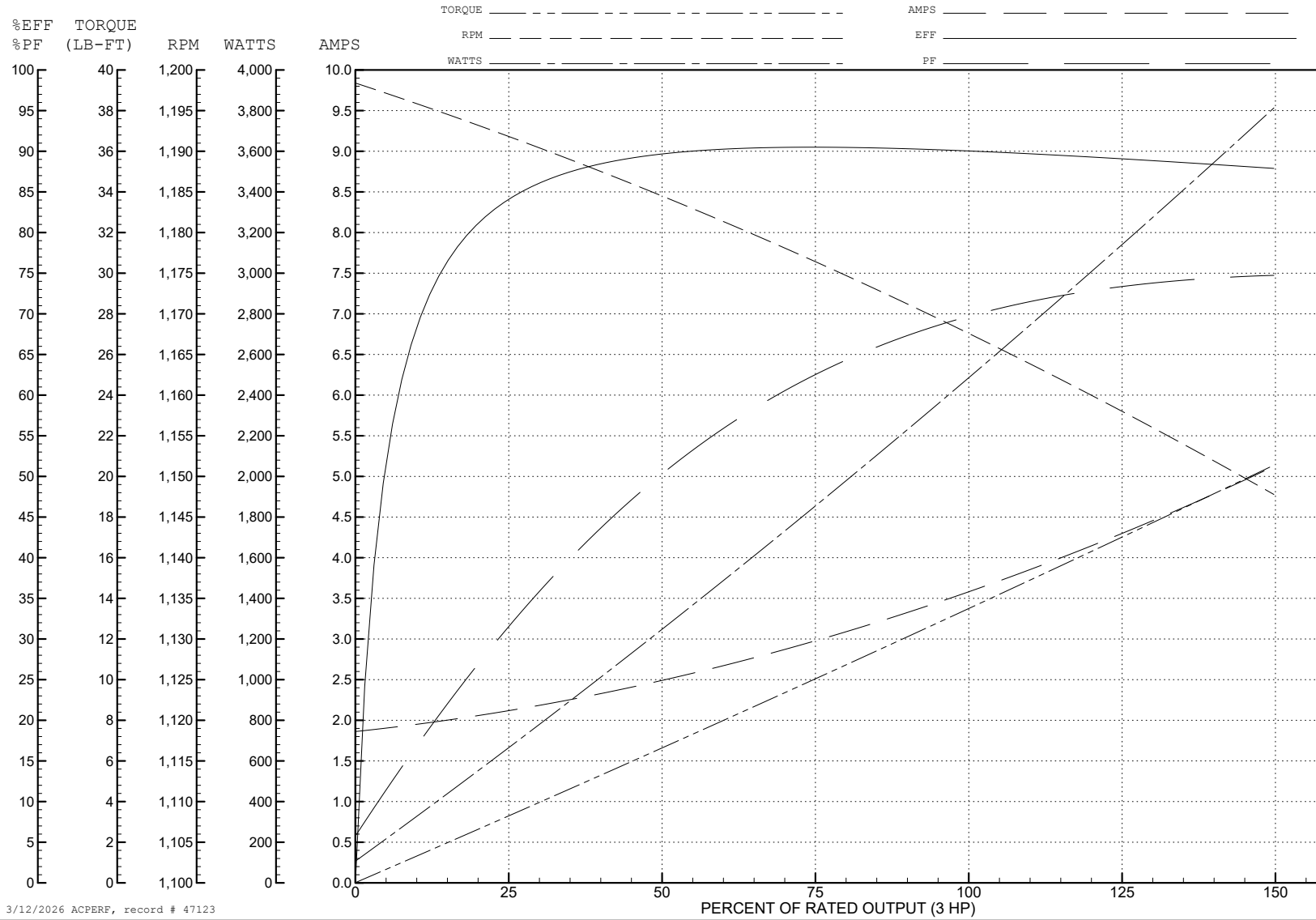
ABB Motors and Mechanical Inc.

WINDING # 07WGX904

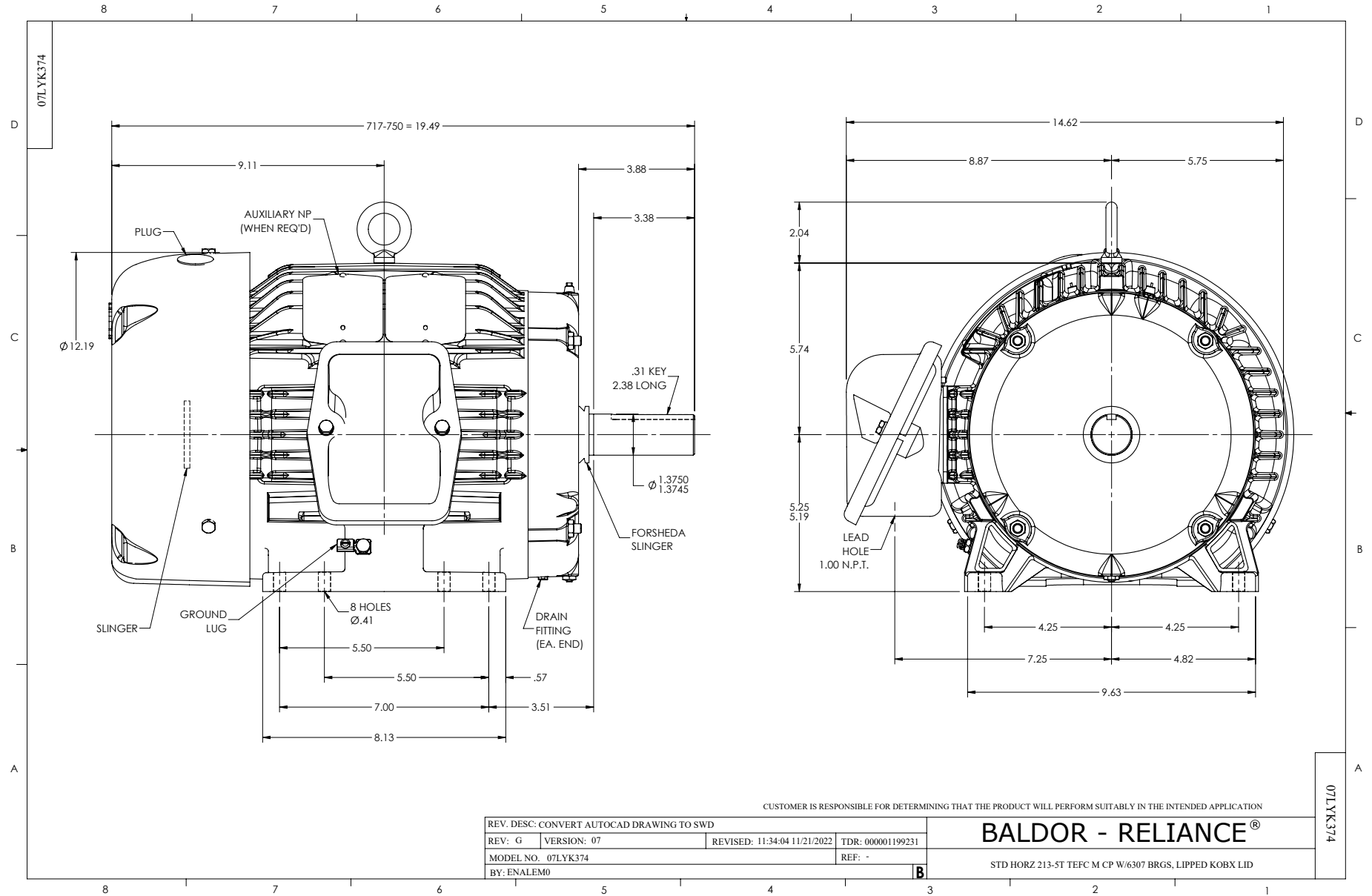
3 HP 3 PH 60 HZ 1165 RPM 575 V 0738M

Typical performance - not guaranteed values.

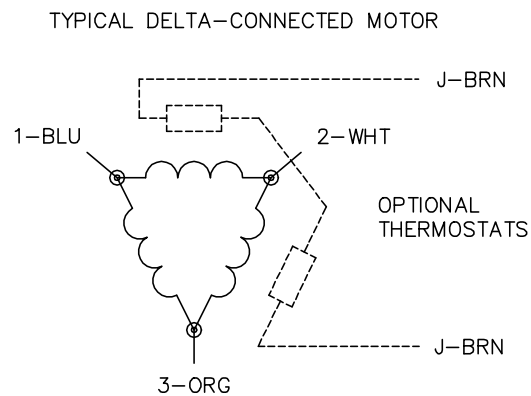
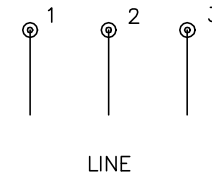
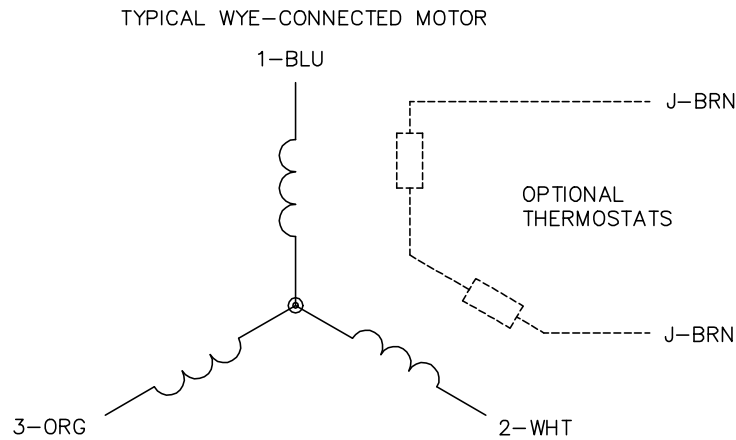
TORQUES (LB-FT): PO=46.4 PU=30.38 LR=34.2 LRA=25.41



3/12/2026 ACPERF, record # 47123



CD0006



NOTES:

1. THREE LEAD MOTOR MAY BE EITHER WYE CONNECTED OR DELTA CONNECTED.
2. INTERCHANGE ANY TWO LINE LEADS TO REVERSE ROTATION.
3. OPTIONAL THERMOSTATS ARE PROVIDED WHEN SPECIFIED.
4. ACTUAL NUMBER OF INTERNAL PARALLEL CIRCUITS MAY VARY.
5. LEAD COLORS ARE OPTIONAL. LEADS MUST BE NUMBERED AS SHOWN.

CD0006

REV. DESC: ADD CLASS CONN00000007		
REV. LTR: E	VERSION: 01	TDR: 000001099922
FILE: \AAA\00005\141	REVISED: 10:24:49 02/19/2019	BY: ENBRIRO
MTL: -	© □	

**BALDOR - RELIANCE®**

3PH, SV, 3 LEADS, WYE OR DELTA CONNECTED

SH 1 of 1