



Customer information packet

ECP3687T-4

1HP, 850RPM, 3PH, 60HZ, 182T, TEFC, FOOT,
Class - None
Division - Not Applicable

Specifications

Enclosure	TEFC
Frame	182T
Frame Material	Iron
Frequency	60.00 Hz
Motor Letter Type	Three Phase
Output @ Frequency	1.000 HP @ 60 HZ
Phase	3
Synchronous Speed @ Frequency	900 RPM @ 60 HZ
Voltage @ Frequency	460.0 V @ 60 HZ
XP Class and Group	None
XP Division	Not Applicable
Agency Approvals	CCSA US CSA CSA EEV UR
Ambient Temperature	40 °C
Auxillary Box	No Auxillary Box
Auxillary Box Lead Termination	None
Base Indicator	Rigid
Bearing Grease Type	Polyrex EM (-20F +300F)
Blower	None
Constant Torque Speed Range	2.7
Current @ Voltage	2.000 A @ 460.0 V
Design Code	B
Drip Cover	No Drip Cover
Duty Rating	CONT
Efficiency @ 100% Load	78.5 %
Electrically Isolated Bearing	Not Electrically Isolated
Feedback Device	NO FEEDBACK
Front Face Code	Standard
Front Shaft Indicator	None
Heater Indicator	No Heater

Part detail

Revision	X
Type	AC
Mech. spec.	06H483
Base	
Status	PRD/A
Elec. spec.	06WGW491
Layout	06LYH483
Eff. date	04-22-2021
CD Diagram	CD0006
Poles	08
Leads	3#16
Proprietary	False
Created date	01-04-2011

High Voltage Full Load Amps	2.0 a
Insulation Class	F
Inverter Code	Inverter Duty
KVA Code	J
Lifting Lugs	Standard Lifting Lugs
Locked Bearing Indicator	No Locked Bearing
Max Speed	1350 rpm
Motor Lead Exit	Ko Box
Motor Lead Quantity/Wire Size	3 @ 16 AWG
Motor Lead Termination	Flying Leads
Motor Standards	NEMA
Motor Type	0628M
Mounting Arrangement	F1
Number of Poles	8
Overall Length	15.93 IN
Power Factor	57
Product Family	Chemical Processing (Not DC)
Pulley End Bearing Type	Ball
Pulley Face Code	Standard
Pulley Shaft Indicator	Standard
Rodent Screen	None
Service Factor	1.15
Shaft Diameter	1.125 IN
Shaft Extension Location	Pulley End
Shaft Ground Indicator	No Shaft Grounding
Shaft Rotation	Reversible
Shaft Slinger Indicator	Shaft Slinger
Speed	850 rpm
Speed Code	Single Speed
Starting Method	Direct on line
Thermal Device - Bearing	None
Thermal Device - Winding	None
Vibration Sensor Indicator	No Vibration Sensor
Winding Thermal 1	None

Winding Thermal 2

None

XP Temp Code

T3C

Nameplate

NP3258									
CAT.NO.	ECP3687T-4								
SPEC.	06H483W491G1								
HP	1 TE								
VOLTS	460								
AMP	2								
RPM	850								
FRAME	182T	HZ	60	PH	3				
SER.F.	1.15	CODE	J	DES	B	CL	F		
RATING	40C AMB-CONT								
SN									
DE	6206	ODE	6206						
NEMA-NOM-EFF	78.5	PF	57						
G.MIN.EFF	75.5	CC	010A						
T. CODE	T3C	T=	160						

NP3261			
SPEC.	06H483W491G1		
D.E. BRG.	30BC02XP30X		
O.D.E. BRG.	30BC02XP30X		
GREASE	POLYREX EM		
RPM MAX	1350	MAX. KVAR	0.91
BLANK			
INV.TYPE	PWM		
T=	160		
C HP FR	60	C HP TO	90
CT HZ FROM	2.7	CT HZ TO	60
VT HZ FROM	-0	VT HZ TO	60
HTR-VOLTS		HTR-AMPS	
HTR-WATTS		MAX. SPACE HEATER TEMP.	

AC Induction Motor Performance Data

Record # 47137

Typical performance - not guaranteed values

Winding: 06WGW491-R009		Type: 0628M	Enclosure: TEFC
Nameplate Data		460 V, 60 Hz: Single Voltage Motor	
Rated Output (HP)	1	Full Load Torque	6.1 LB-FT
Volts	460	Start Configuration	direct on line
Full Load Amps	2	Breakdown Torque	17 LB-FT
R.P.M.	850	Pull-up Torque	12 LB-FT
Hz	60 Phase	Locked-rotor Torque	12.7 LB-FT
NEMA Design Code	B KVA Code	Starting Current	9.3 A
Service Factor (S.F.)	1.15	No-load Current	1.6 A
NEMA Nom. Eff.	78.5 Power Factor	Line-line Res. @ 25°C	14.7 Ω
Rating - Duty	40C AMB-CONT	Temp. Rise @ Rated Load	54°C
S.F. Amps		Temp. Rise @ S.F. Load	63°C
		Rotor inertia	0.263 LB-FT ²

Load Characteristics 460 V, 60 Hz, 1 HP

% of Rated Load	25	50	75	100	125	150	S.F.
Power Factor	25	38	48	59	63	67	61
Efficiency	61.9	74.1	78.4	79.8	79.8	78.8	79.8
Speed	891	882	873	864	853	841	857
Line amperes	1.6	1.7	1.9	2	2.3	2.6	2.18

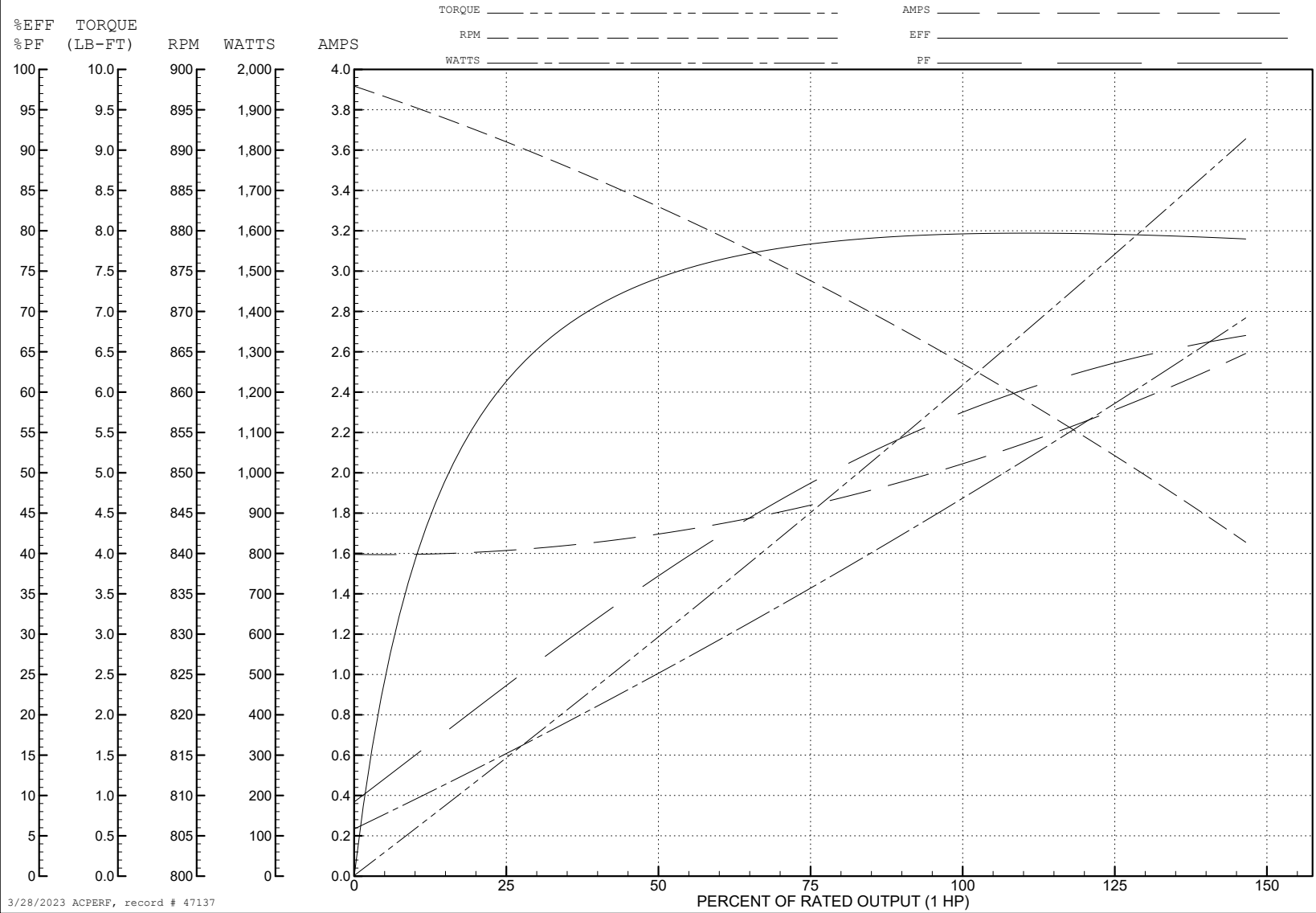
ABB Motors and Mechanical Inc.

WINDING # 06WGW491

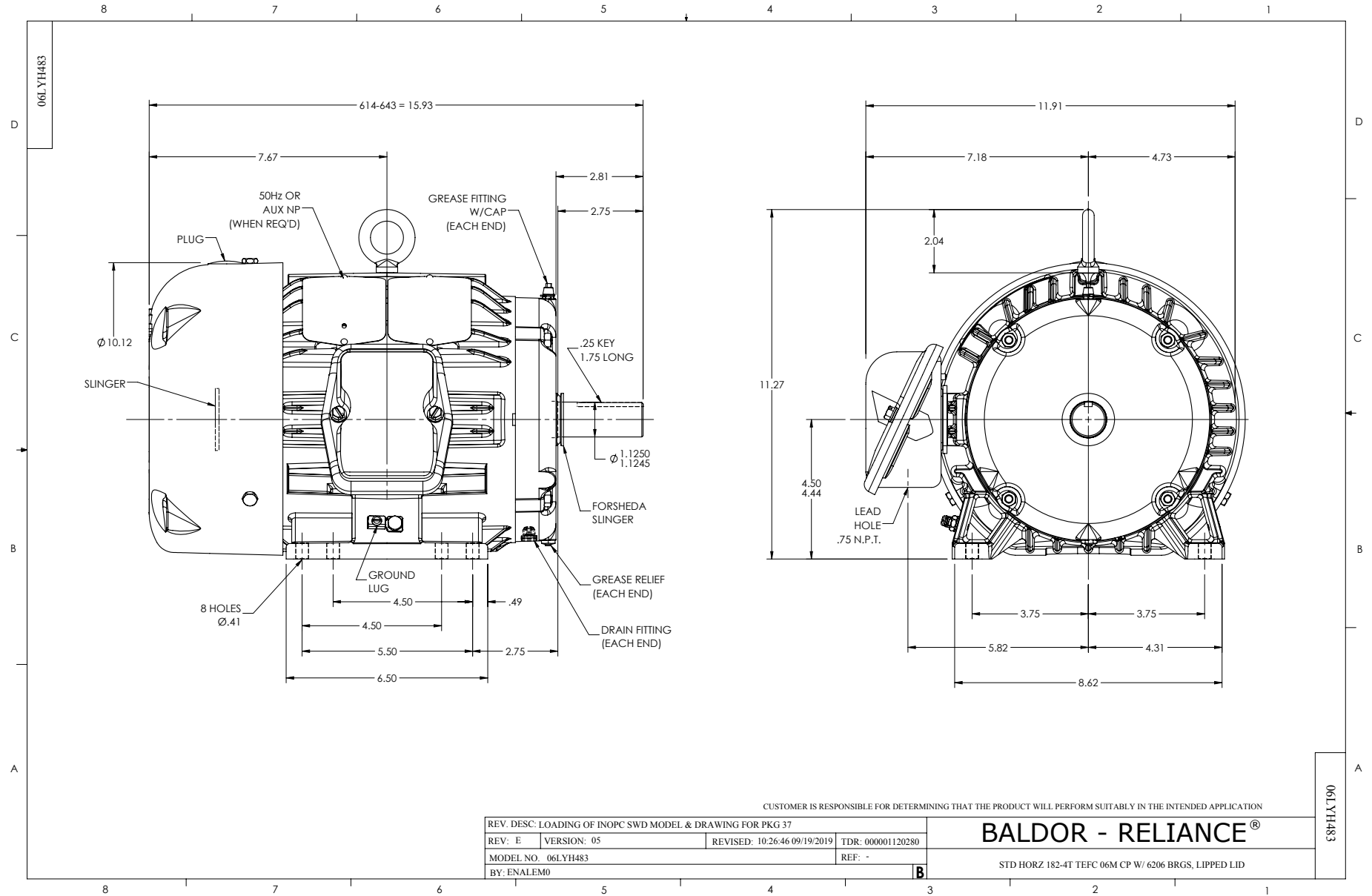
Typical performance - not guaranteed values.

1 HP 3 PH 60 HZ 850 RPM 460 V 0628M

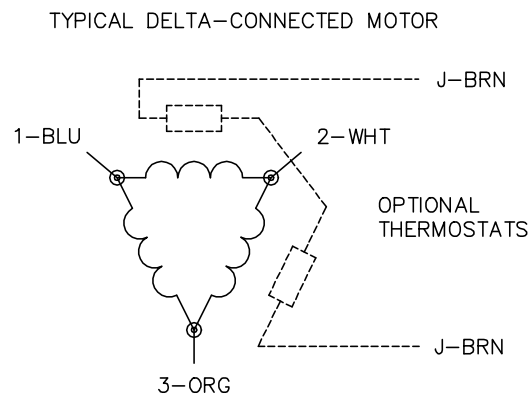
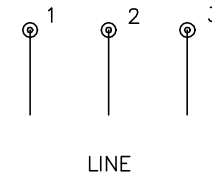
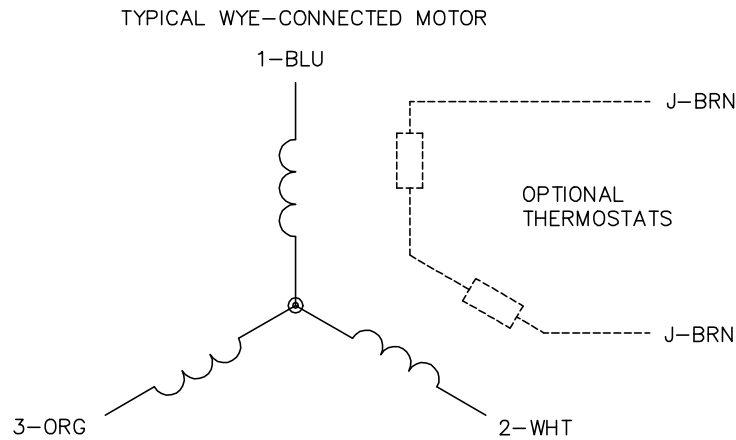
TORQUES (LB-FT): PO=17 PU=12 LR=12.7 LRA=9.3



3/28/2023 ACPERF, record # 47137



CD0006



NOTES:

1. THREE LEAD MOTOR MAY BE EITHER WYE CONNECTED OR DELTA CONNECTED.
2. INTERCHANGE ANY TWO LINE LEADS TO REVERSE ROTATION.
3. OPTIONAL THERMOSTATS ARE PROVIDED WHEN SPECIFIED.
4. ACTUAL NUMBER OF INTERNAL PARALLEL CIRCUITS MAY VARY.
5. LEAD COLORS ARE OPTIONAL. LEADS MUST BE NUMBERED AS SHOWN.

CD0006

REV. DESC: ADD CLASS CONN00000007		
REV. LTR: E	VERSION: 01	TDR: 000001099922
FILE: \AAA\00005\141	REVISED: 10:24:49 02/19/2019	BY: ENBRIRO
MTL: -	© □	

BALDOR - RELIANCE®

3PH, SV, 3 LEADS, WYE OR DELTA CONNECTED

SH 1 of 1