

ABB BALDOR RELIANCE III

Customer information packet

ECP3665T-4

5HP, 1750RPM, 3PH, 60HZ, 184T, 0642M, TEFC, F1

Class - CLI GP A,B,C,D

Division - Division II

Specifications

Enclosure	TEFC
Frame	184T
Frame Material	Iron
Frequency	60.00 Hz
Haz Area Class and Group	CLI GP A,B,C,D
Haz Area Division	Division II
Motor Letter Type	Three Phase
Output @ Frequency	5.000 HP @ 60 HZ
Phase	3
Synchronous Speed @ Frequency	1800 RPM @ 60 HZ
Voltage @ Frequency	460.0 V @ 60 HZ
Agency Approvals	CSA EEV NEMA PREMIUM NEMA_PREMIUM UR CCSA US
Ambient Temperature	40 °C
Auxiliary Box	NO AUXILLARY BOX
Auxiliary Box Lead Termination	None
Base Indicator	Rigid
Bearing Grease Type	Polyrex EM (-20F +300F)
Blower	None
Constant Torque Speed Range	1.7
Current @ Voltage	6.450 A @ 460.0 V
Design Code	B
Drip Cover	No Drip Cover
Duty Rating	CONT
Efficiency @ 100% Load	89.5 %
Electrically Isolated Bearing	Not Electrically Isolated
Enclosure Modification	841
Feedback Device	NO FEEDBACK
Front Face Code	Standard

Part Detail

Revision	X
Type	AC
Mech. spec.	06H483
Base	
Status	PRD/A
Elec. spec.	06WGX203
Layout	06LYH483
Eff. date	10-01-2025
CD Diagram	CD0006
Poles	04
Leads	3#16
Proprietary	False
Created date	04-04-2012

Front Shaft Indicator	None
Haz Area Temp Code	T3C
Heater Indicator	No Heater
High Voltage Full Load Amps	6.5 a
Insulation Class	F
Inverter Code	Inverter Duty
KVA Code	J
Lifting Lugs	Standard Lifting Lugs
Locked Bearing Indicator	No Locked Bearing
Max Speed	2700 rpm
Motor Lead Exit	Ko Box
Motor Lead Quantity/Wire Size	3 @ 16 AWG
Motor Lead Termination	Flying Leads
Motor Standards	NEMA
Motor Type	0642M
Mounting Arrangement	F1
Number of Poles	4
Overall Length	15.93 IN
Power Factor	81
Product Family	Chemical Processing (Not DC)
Pulley End Bearing Type	Ball
Pulley Face Code	Standard
Pulley Shaft Indicator	Standard
Rodent Screen	None
RoHS Status	ROHS COMPLIANT
Service Factor	1.15
Shaft Diameter	1.125 IN
Shaft Extension Location	Pulley End
Shaft Ground Indicator	No Shaft Grounding
Shaft Rotation	Reversible
Shaft Slinger Indicator	Shaft Slinger
Speed	1750 rpm
Speed Code	Single Speed
Starting Method	Direct on line

Thermal Device - Bearing	None
Thermal Device - Winding	None
Vibration Sensor Indicator	No Vibration Sensor
Winding Thermal 1	None
Winding Thermal 2	None

Nameplate

NP3257							
CAT.NO.	ECP3665T-4						
SPEC.	06H483X203G4						
HP	5 TE						
VOLTS	460						
AMP	6.45						
RPM	1750						
FRAME	184T	HZ	60	PH	3		
SER.F.	1.15	CODE	J	DES	B	CL	F
RATING	40C AMB-CONT						
SN							
DE	6206	ODE	6206				
NEMA-NOM-EFF	89.5	PF	81				
G.MIN.EFF	89.5	CC	010A				
T. CODE	T3C	T=	160				

NP3260			
SPEC.	06H483X203G4		
D.E. BRG.	30BC02XP30X		
O.D.E. BRG.	30BC02XP30X		
GREASE	POLYREX EM		
RPM MAX	2700	MAX. KVAR	1
BLANK			
INV. TYPE	PWM		
T=	160		
C HP FR	60	C HP TO	90
CT HZ FROM	1.7	CT HZ TO	60
VT HZ FROM	0-	VT HZ TO	60
HTR-VOLTS		HTR-AMPS	
HTR-WATTS		MAX. SPACE HEATER TEMP.	

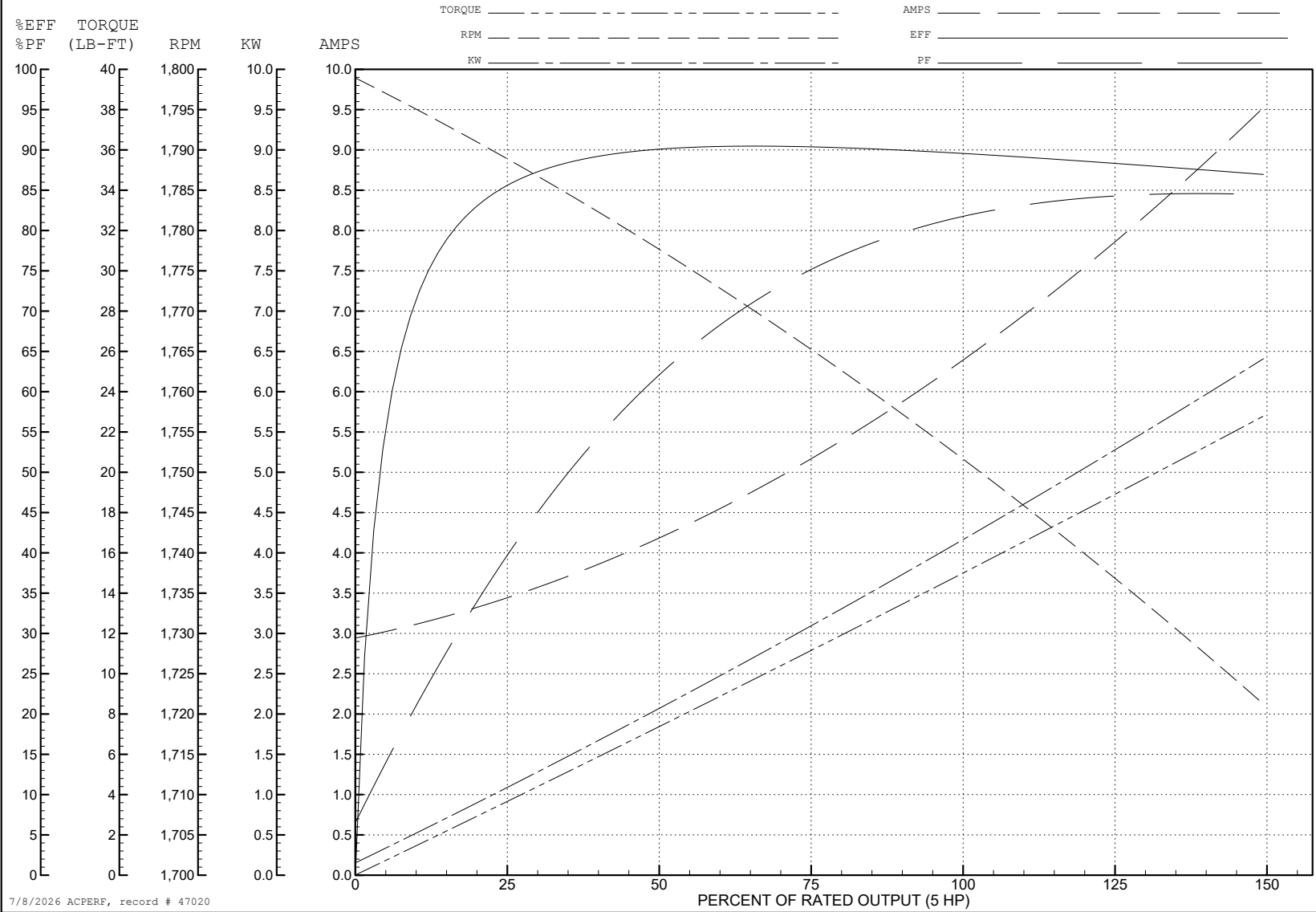
ABB Motors and Mechanical Inc.

WINDING # 06WGX203

5 HP 3 PH 60 HZ 1750 RPM 460 V 0642M

Typical performance - not guaranteed values.

TORQUES (LB-FT): PO=49.5 PU=25.5 LR=31 LRA=44.65



7/8/2026 ACPERF, record # 47020

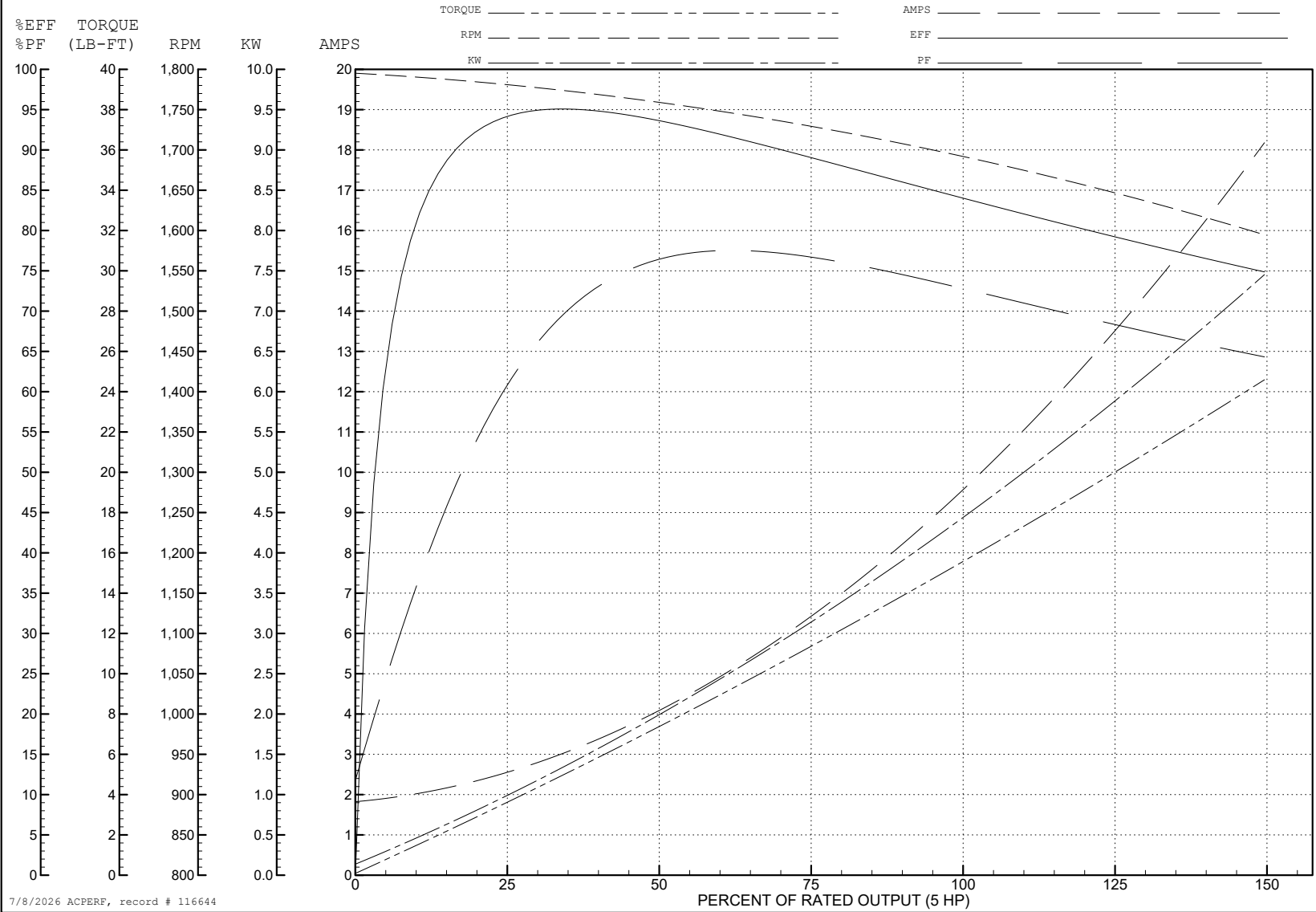
ABB Motors and Mechanical Inc.

WINDING # 06WGX203

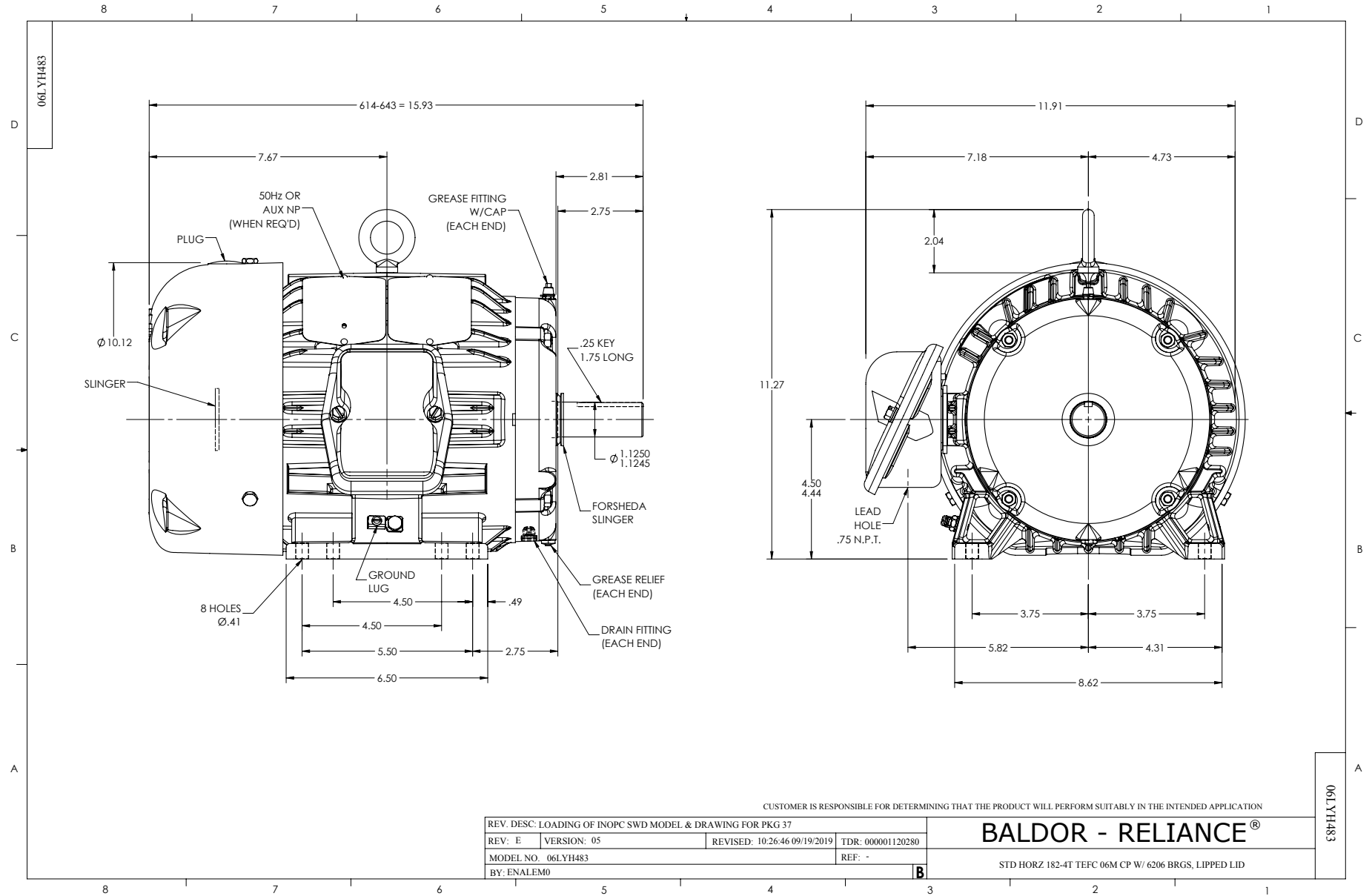
5 HP 3 PH 60 HZ 1750 RPM 368 V 0642M

Typical performance - not guaranteed values.

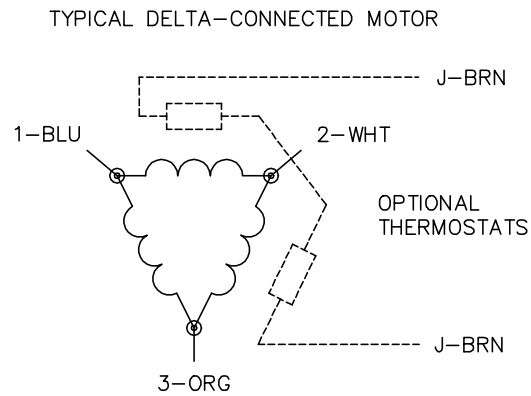
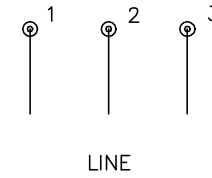
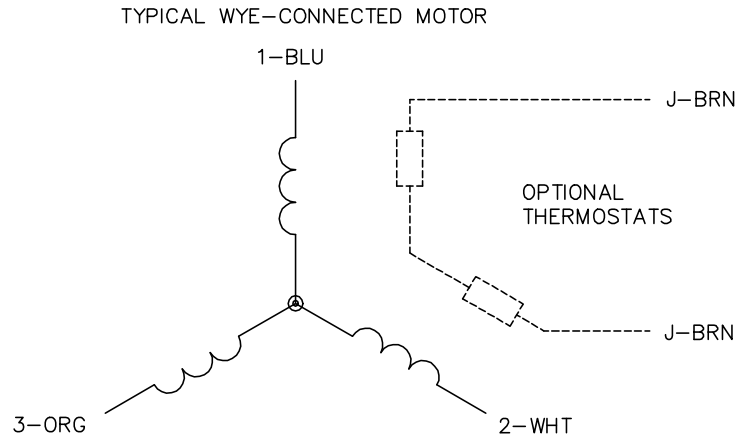
TORQUES (LB-FT): PO=21 PU=10.6 LR=12.9 LRA=29.6



7/8/2026 ACPERF, record # 116644



CD0006



NOTES:

1. THREE LEAD MOTOR MAY BE EITHER WYE CONNECTED OR DELTA CONNECTED.
2. INTERCHANGE ANY TWO LINE LEADS TO REVERSE ROTATION.
3. OPTIONAL THERMOSTATS ARE PROVIDED WHEN SPECIFIED.
4. ACTUAL NUMBER OF INTERNAL PARALLEL CIRCUITS MAY VARY.
5. LEAD COLORS ARE OPTIONAL. LEADS MUST BE NUMBERED AS SHOWN.

CD0006

REV. DESC: ADD CLASS CONN00000007		
REV. LTR: E	VERSION: 01	TDR: 000001099922
FILE: \AAA\00005\141	REVISED: 10:24:49 02/19/2019	BY: ENBRIRO
MTL: -	© □	

BALDOR - RELIANCE®

3PH, SV, 3 LEADS, WYE OR DELTA CONNECTED

SH 1 of 1