



Customer information packet

ECP3663T-4

5HP, 3500RPM, 3PH, 60HZ, 184T, 0634M, TEFC, F1

Class - CLI GP A,B,C,D

Division - Division II

Specifications

Enclosure	TEFC
Frame	184T
Frame Material	Iron
Frequency	60.00 Hz
Motor Letter Type	Three Phase
Output @ Frequency	5.000 HP @ 60 HZ
Phase	3
Synchronous Speed @ Frequency	3600 RPM @ 60 HZ
Voltage @ Frequency	460.0 V @ 60 HZ
XP Class and Group	CL I GP A,B,C,D
XP Division	Division II
Agency Approvals	CSA EEV NEMA PREMIUM NEMA_PREMIUM UR CCSA US
Ambient Temperature	40 °C
Auxillary Box	No Auxillary Box
Auxillary Box Lead Termination	None
Base Indicator	Rigid
Bearing Grease Type	Polyrex EM (-20F +300F)
Blower	None
Constant Torque Speed Range	6
Current @ Voltage	5.700 A @ 460.0 V
Design Code	A
Drip Cover	No Drip Cover
Duty Rating	CONT
Efficiency @ 100% Load	89.5 %
Electrically Isolated Bearing	Not Electrically Isolated
Enclosure Modification	Severe Duty Features
Feedback Device	NO FEEDBACK
Front Face Code	Standard

Part detail

Revision	Z
Type	AC
Mech. spec.	06H483
Base	
Status	PRD/A
Elec. spec.	06WGX065
Layout	06LYH483
Eff. date	04-22-2021
CD Diagram	CD0006
Poles	02
Leads	3#16
Proprietary	False
Created date	08-07-2006

Front Shaft Indicator	None
Heater Indicator	No Heater
High Voltage Full Load Amps	5.7 a
Insulation Class	F
Inverter Code	Inverter Ready
KVA Code	L
Lifting Lugs	Standard Lifting Lugs
Locked Bearing Indicator	No Locked Bearing
Max Speed	5400 rpm
Motor Lead Exit	Ko Box
Motor Lead Quantity/Wire Size	3 @ 16 AWG
Motor Lead Termination	Flying Leads
Motor Standards	NEMA
Motor Type	0634M
Mounting Arrangement	F1
Number of Poles	2
Overall Length	15.93 IN
Power Factor	90
Product Family	Chemical Processing (Not DC)
Pulley End Bearing Type	Ball
Pulley Face Code	Standard
Pulley Shaft Indicator	Standard
Rodent Screen	None
Service Factor	1.15
Shaft Diameter	1.125 IN
Shaft Extension Location	Pulley End
Shaft Ground Indicator	No Shaft Grounding
Shaft Rotation	Reversible
Shaft Slinger Indicator	Shaft Slinger
Speed	3500 rpm
Speed Code	Single Speed
Starting Method	Direct on line
Thermal Device - Bearing	None
Thermal Device - Winding	None

Vibration Sensor Indicator	No Vibration Sensor
Winding Thermal 1	None
Winding Thermal 2	None
XP Temp Code	T3C

Nameplate

NP3257									
CAT.NO.	ECP3663T-4								
SPEC.	06H483X065G1								
HP	5 TE								
VOLTS	460								
AMP	5.7								
RPM	3500								
FRAME	184T		HZ	60		PH	3		
SER.F.	1.15	CODE	L	DES	A	CL	F		
RATING	40C AMB-CONT								
SN									
DE	6206		ODE	6206					
NEMA-NOM-EFF	89.5		PF	90					
G.MIN.EFF	89.5	CC	010A						
T. CODE	T3C	T=	160						

NP3260			
SPEC.	06H483X065G1		
D.E. BRG.	30BC02XP30X		
O.D.E. BRG.	30BC02XP30X		
GREASE	POLYREX EM		
RPM MAX	5400	MAX. KVAR	N/A
BLANK			
INV.TYPE	PWM		
T=	160		
C HP FR	60	C HP TO	90
CT HZ FROM	6	CT HZ TO	60
VT HZ FROM	3	VT HZ TO	60
HTR-VOLTS		HTR-AMPS	
HTR-WATTS		MAX. SPACE HEATER TEMP.	

Accessories

Part number	Description	Multiplier
36-3301	C FACE KIT	A8

AC Induction Motor Performance Data

Record # 47072

Typical performance - not guaranteed values

Winding: 06WGX065-R031		Type: 0634M		Enclosure: TEFC	
Nameplate Data			460 V, 60 Hz: Single Voltage Motor		
Rated Output (HP)	5	Full Load Torque	7.45 LB-FT		
Volts	460	Start Configuration	direct on line		
Full Load Amps	5.7	Breakdown Torque	38.6 LB-FT		
R.P.M.	3500	Pull-up Torque	17.4 LB-FT		
Hz	60 Phase	3	Locked-rotor Torque	28.3 LB-FT	
NEMA Design Code	A KVA Code	L	Starting Current	63.9 A	
Service Factor (S.F.)	1.15	No-load Current	1.65 A		
NEMA Nom. Eff.	89.5 Power Factor	90	Line-line Res. @ 25°C	2.4282 Ω	
Rating - Duty	40C AMB-CONT		Temp. Rise @ Rated Load	49°C	
S.F. Amps			Temp. Rise @ S.F. Load	59°C	
			Rotor inertia	0.153 LB-FT ²	

Load Characteristics 460 V, 60 Hz, 5 HP

% of Rated Load	25	50	75	100	125	150	S.F.
Power Factor	63	83	89	93	93	93	93
Efficiency	82.5	88.6	89.8	89.7	88.9	87.7	89.2
Speed	3575.6	3551.3	3526.2	3498.2	3470.4	3439.8	3482
Line amperes	2.17	3.14	4.35	5.59	7.02	8.54	6.45

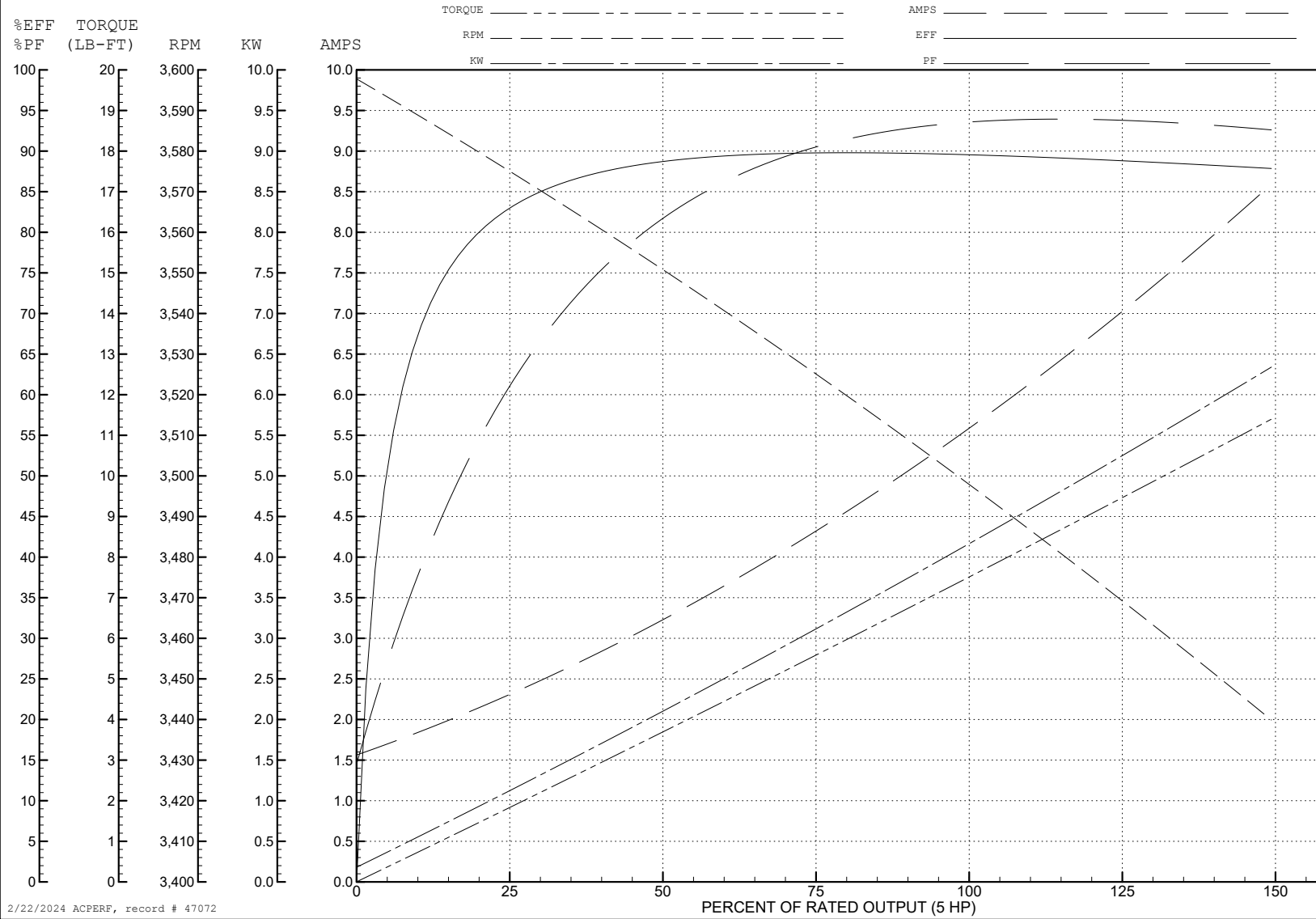
ABB Motors and Mechanical Inc.

WINDING # 06WGX065

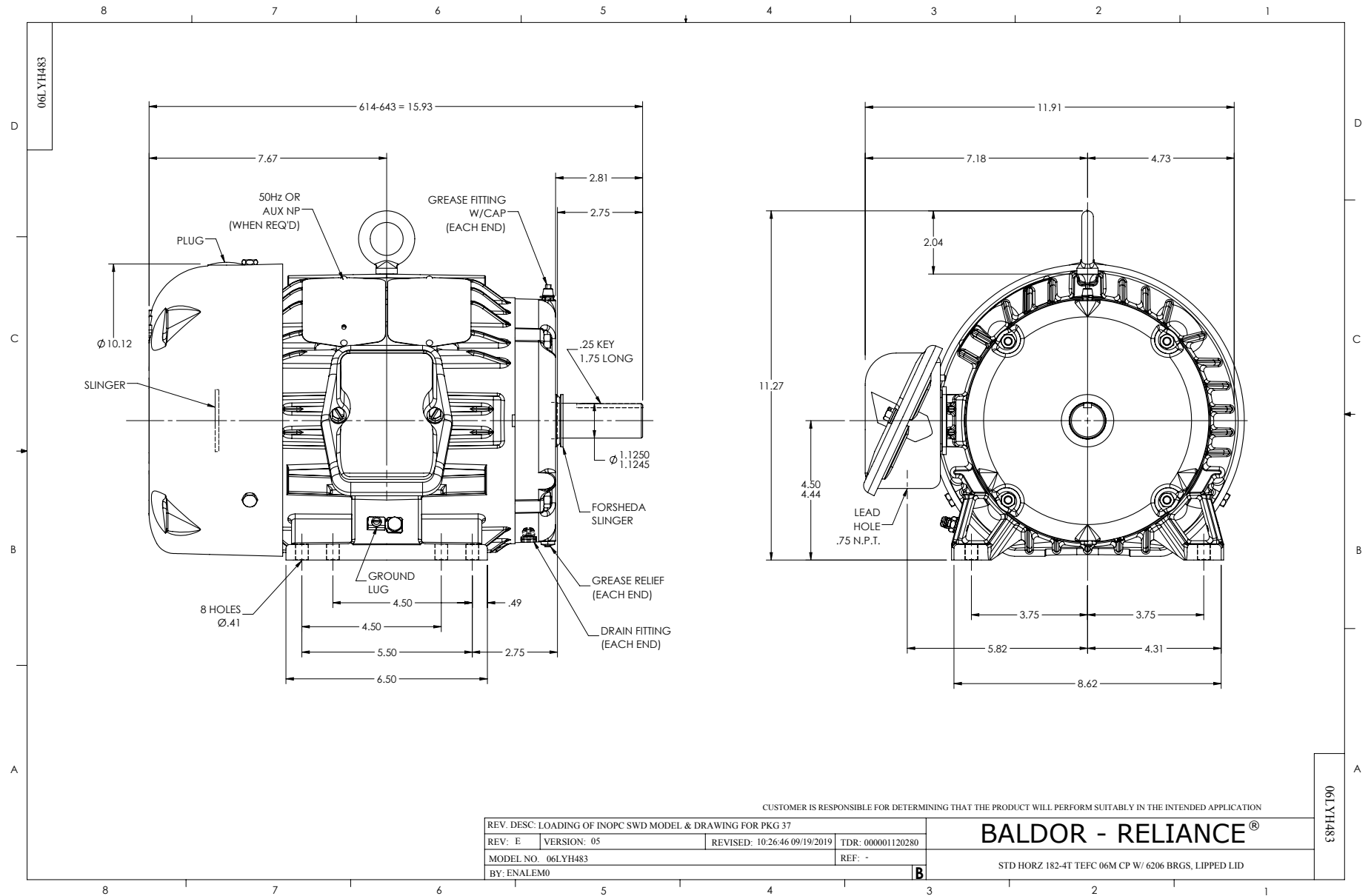
Typical performance - not guaranteed values.

5 HP 3 PH 60 HZ 3500 RPM 460 V 0634M

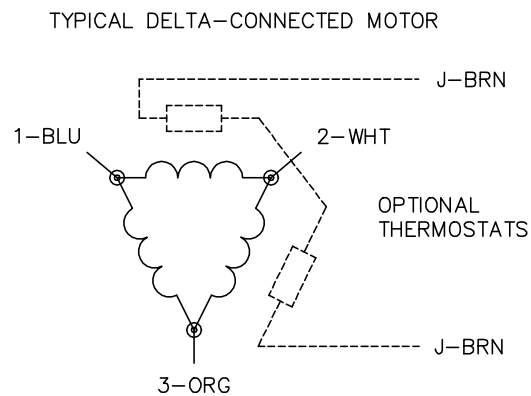
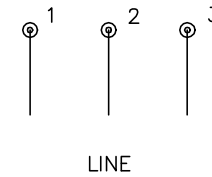
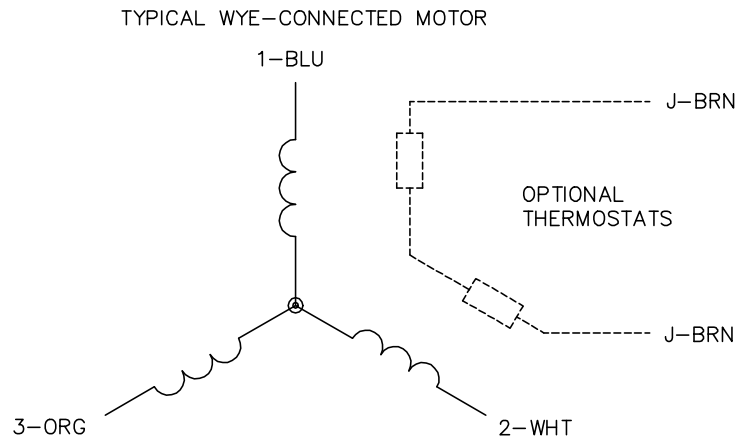
TORQUES (LB-FT): PO=38.6 PU=17.4 LR=28.3 LRA=63.9



2/22/2024 ACPERF, record # 47072



CD0006



NOTES:

1. THREE LEAD MOTOR MAY BE EITHER WYE CONNECTED OR DELTA CONNECTED.
2. INTERCHANGE ANY TWO LINE LEADS TO REVERSE ROTATION.
3. OPTIONAL THERMOSTATS ARE PROVIDED WHEN SPECIFIED.
4. ACTUAL NUMBER OF INTERNAL PARALLEL CIRCUITS MAY VARY.
5. LEAD COLORS ARE OPTIONAL. LEADS MUST BE NUMBERED AS SHOWN.

CD0006

REV. DESC: ADD CLASS CONN00000007		
REV. LTR: E	VERSION: 01	TDR: 000001099922
FILE: \AAA\00005\141	REVISED: 10:24:49 02/19/2019	BY: ENBRIRO
MTL: -	© □	

BALDOR - RELIANCE®

3PH, SV, 3 LEADS, WYE OR DELTA CONNECTED

SH 1 of 1