



Customer information packet

ECP3584T-5

1.5HP, 1768RPM, 3PH, 60HZ, 143T, 0522M, TEFC, F

Class - CLI GP A,B,C,D

Division - Division II

Specifications

Enclosure	TEFC
Frame	145T
Frame Material	Iron
Frequency	60.00 Hz
Haz Area Class and Group	CLI GP A,B,C,D
Haz Area Division	Division II
Motor Letter Type	Three Phase
Output @ Frequency	1.500 HP @ 60 HZ
Phase	3
Synchronous Speed @ Frequency	1800 RPM @ 60 HZ
Voltage @ Frequency	575.0 V @ 60 HZ
Agency Approvals	CCSA US CSA EEV NEMA PREMIUM NEMA_PREMIUM UR
Ambient Temperature	40 °C
Auxillary Box	No Auxillary Box
Auxillary Box Lead Termination	None
Base Indicator	Rigid
Bearing Grease Type	Polyrex EM (-20F +300F)
Blower	None
Constant Torque Speed Range	-0
Current @ Voltage	1.710 A @ 575.0 V
Design Code	B
Drip Cover	No Drip Cover
Duty Rating	CONT
Efficiency @ 100% Load	86.5 %
Electrically Isolated Bearing	Not Electrically Isolated
Feedback Device	NO FEEDBACK
Front Shaft Indicator	None
Haz Area Temp Code	T4

Part detail

Revision	C
Type	AC
Mech. spec.	05F008
Base	
Status	PRD/A
Elec. spec.	05WGX559
Layout	05LYF008
Eff. date	07-17-2023
CD Diagram	CD0006
Poles	04
Leads	3#18
Proprietary	False
Created date	03-11-2022

Heater Indicator	No Heater
High Voltage Full Load Amps	1.7 a
Insulation Class	F
Inverter Code	Inverter Ready
KVA Code	L
Lifting Lugs	Standard Lifting Lugs
Locked Bearing Indicator	No Locked Bearing
Max Speed	2700 rpm
Motor Lead Quantity/Wire Size	3 @ 18 AWG
Motor Lead Termination	Flying Leads
Motor Standards	NEMA
Motor Type	0522M
Mounting Arrangement	F1
Number of Poles	4
Overall Length	12.88 IN
Power Factor	76
Product Family	Chemical Processing (Not DC)
Pulley End Bearing Type	Ball
Pulley Face Code	Standard
Pulley Shaft Indicator	Standard
Rodent Screen	None
Service Factor	1.15
Shaft Diameter	0.875 IN
Shaft Ground Indicator	No Shaft Grounding
Shaft Rotation	Reversible
Shaft Slinger Indicator	Shaft Slinger
Speed	1768 rpm
Speed Code	Single Speed
Starting Method	Direct on line
Thermal Device - Bearing	None
Thermal Device - Winding	None
Vibration Sensor Indicator	No Vibration Sensor
Winding Thermal 1	None
Winding Thermal 2	None

Nameplate

NP3258									
CAT.NO.	ECP3584T-5								
SPEC.	05F008X559G1								
HP	1.5 TE								
VOLTS	575								
AMP	1.71								
RPM	1768								
FRAME	145T	HZ	60	PH	3				
SER.F.	1.15	CODE	L	DES	B	CL	F		
RATING	40C AMB-CONT								
SN									
DE	6205	ODE	6205						
NEMA-NOM-EFF	86.5	PF	76						
G.MIN.EFF	84	CC	010A						
T. CODE	T4	T=	135						

NP3261			
SPEC.	05F008X559G1		
D.E. BRG.	25BC02XP30X		
O.D.E. BRG.	25BC02XP30X		
GREASE	POLYREX EM		
RPM MAX	2700	MAX. KVAR	
BLANK	SFA 1.91		
INV.TYPE	PWM		
T=	135		
C HP FR	60	C HP TO	90
CT HZ FROM	-0	CT HZ TO	60
VT HZ FROM	1.3	VT HZ TO	60
HTR-VOLTS		HTR-AMPS	
HTR-WATTS		MAX. SPACE HEATER TEMP.	

Accessories

Part number	Description	Multiplier
35-1300	C FACE KIT	A8

AC Induction Motor Performance Data

Record # 82041

Typical performance - not guaranteed values

Winding: 05WGX559-R001		Type: 0522M		Enclosure: TEFC	
Nameplate Data			575 V, 60 Hz: Single Voltage Motor		
Rated Output (HP)	1.5	Full Load Torque	4.46 LB-FT		
Volts	575	Start Configuration	direct on line		
Full Load Amps	1.71	Breakdown Torque	16.69 LB-FT		
R.P.M.	1768	Pull-up Torque	9.8 LB-FT		
Hz	60	Locked-rotor Torque	11.36 LB-FT		
NEMA Design Code	B	Starting Current	14.18 A		
Service Factor (S.F.)	1.15	No-load Current	1.05 A		
NEMA Nom. Eff.	86.5	Line-line Res. @ 25°C	22 Ω		
Rating - Duty	40C	Temp. Rise @ Rated Load	34°C		
S.F. Amps	AMB-CONT	Temp. Rise @ S.F. Load	41°C		
		Locked-rotor Power Factor	62		
		Rotor inertia	0.159 lb-ft ²		

Load Characteristics 575 V, 60 Hz, 1.5 HP

% of Rated Load	25	50	75	100	125	150	S.F.
Power Factor	35	54	67	76	81	84	79
Efficiency	75.8	83.9	86.1	86.4	85.5	84.2	85.9
Speed	1791	1784	1776	1768	1758	1748	1762
Line amperes	1.1	1.24	1.45	1.72	2.03	2.38	1.91

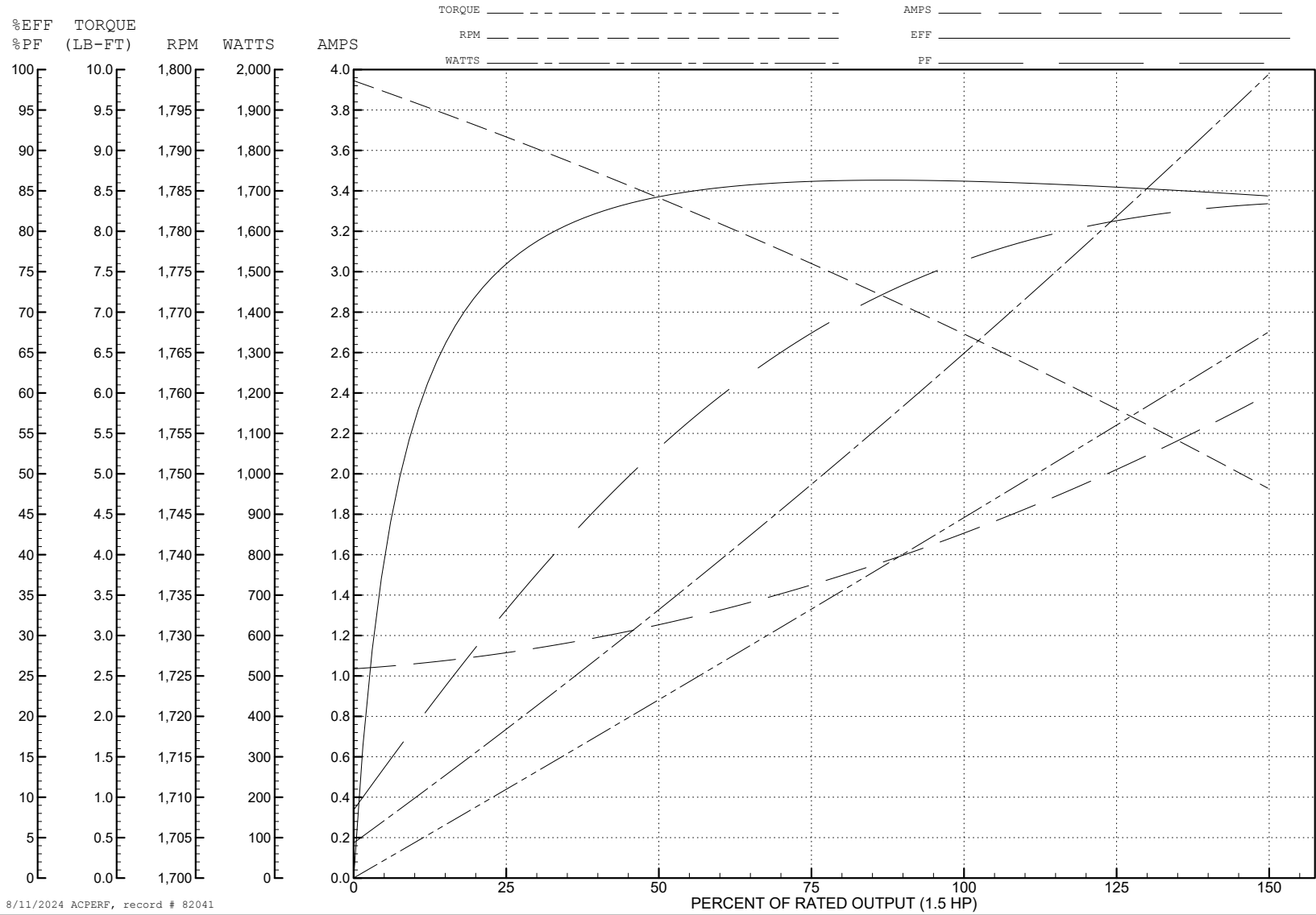
ABB Motors and Mechanical Inc.

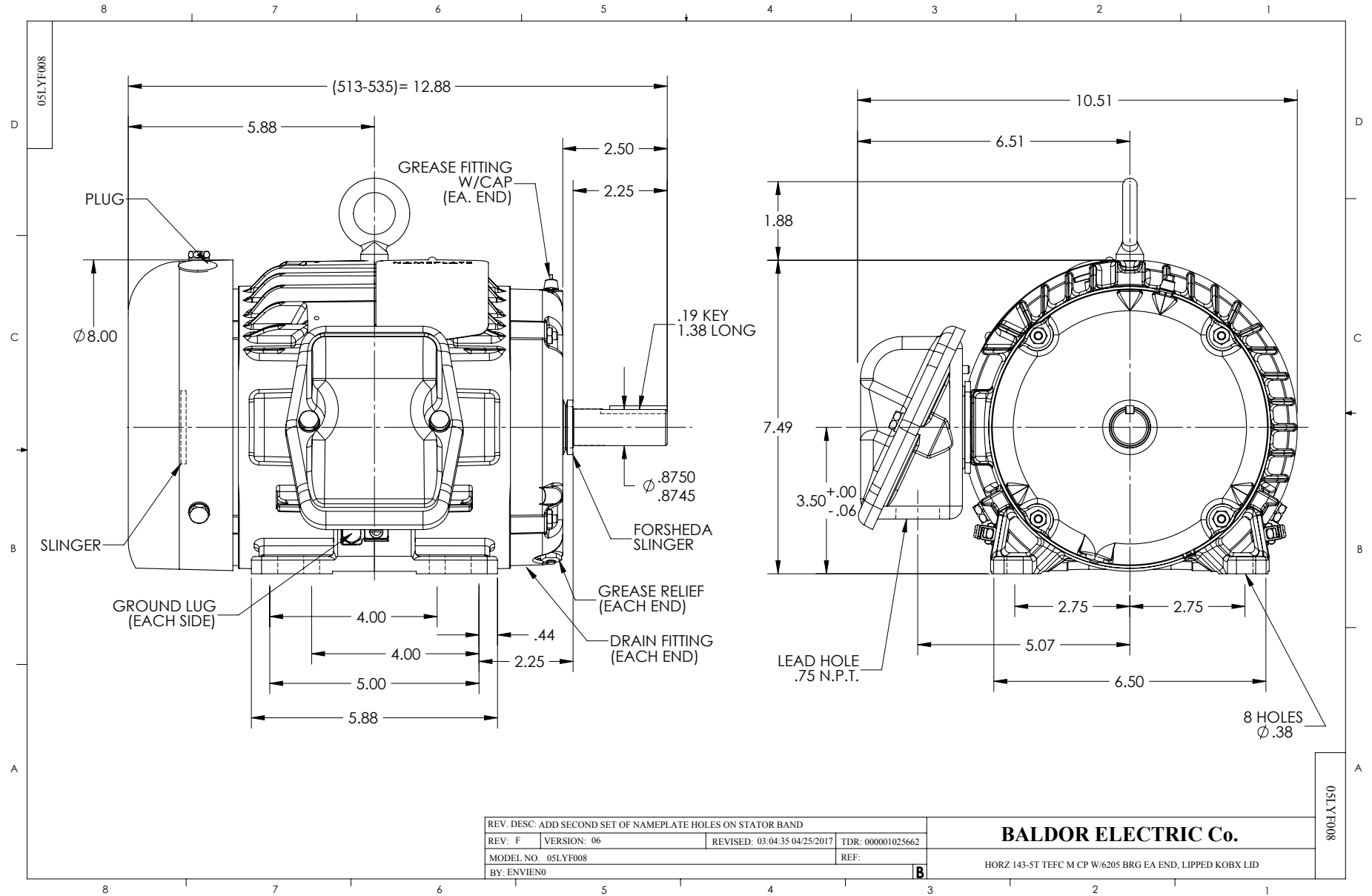
WINDING # 05WGX559

1.5 HP 3 PH 60 HZ 1768 RPM 575 V 0522M

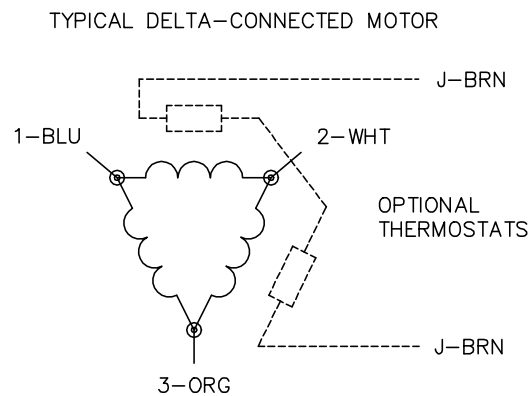
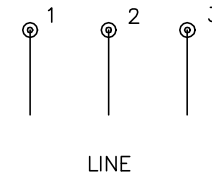
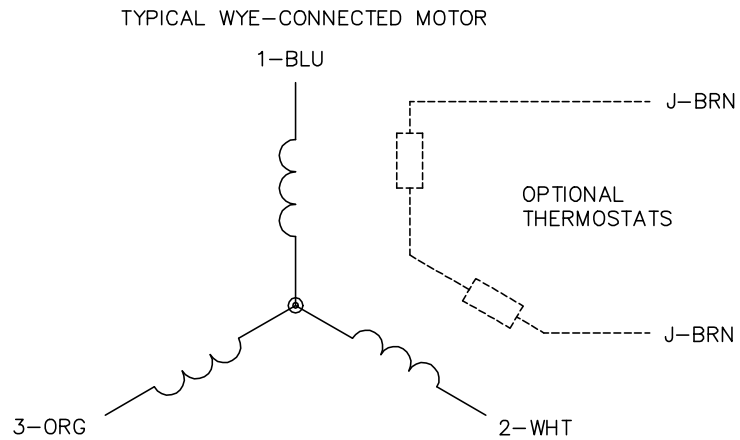
Typical performance - not guaranteed values.

TORQUES (LB-FT): PO=16.69 PU=9.8 LR=11.36 LRA=14.18





CD0006



NOTES:

1. THREE LEAD MOTOR MAY BE EITHER WYE CONNECTED OR DELTA CONNECTED.
2. INTERCHANGE ANY TWO LINE LEADS TO REVERSE ROTATION.
3. OPTIONAL THERMOSTATS ARE PROVIDED WHEN SPECIFIED.
4. ACTUAL NUMBER OF INTERNAL PARALLEL CIRCUITS MAY VARY.
5. LEAD COLORS ARE OPTIONAL. LEADS MUST BE NUMBERED AS SHOWN.

CD0006

REV. DESC: ADD CLASS CONN00000007		
REV. LTR: E	VERSION: 01	TDR: 000001099922
FILE: \AAA\00005\141	REVISED: 10:24:49 02/19/2019	BY: ENBRIRO
MTL: -	© □	

BALDOR - RELIANCE®

3PH, SV, 3 LEADS, WYE OR DELTA CONNECTED

SH 1 of 1