



Customer information packet

ECP3582T

1HP, 1170RPM, 3PH, 60HZ, 145T, 0526M, TEFC, F1

Class - CLI GP A,B,C,D

Division - Division II

Specifications

Enclosure	TEFC
Frame	145T
Frame Material	Iron
Frequency	60.00 Hz
Haz Area Class and Group	CL I GP A,B,C,D
Haz Area Division	Division II
Motor Letter Type	Three Phase
Output @ Frequency	1.000 HP @ 60 HZ
Phase	3
Synchronous Speed @ Frequency	1200 RPM @ 60 HZ
Voltage @ Frequency	460.0 V @ 60 HZ 230.0 V @ 60 HZ 208.0 V @ 60 HZ
Agency Approvals	CCSA US CSA EEV NEMA PREMIUM NEMA_PREMIUM UR
Ambient Temperature	40 °C
Auxillary Box	No Auxillary Box
Auxillary Box Lead Termination	None
Base Indicator	Rigid
Bearing Grease Type	Polyrex EM (-20F +300F)
Blower	None
Constant Torque Speed Range	2
Current @ Voltage	3.600 A @ 208.0 V 3.560 A @ 230.0 V 1.780 A @ 460.0 V
Design Code	B
Drip Cover	No Drip Cover
Duty Rating	CONT
Efficiency @ 100% Load	82.5 %

Part detail

Revision	C
Type	AC
Mech. spec.	05F008
Base	
Status	PRD/A
Elec. spec.	05WGX907
Layout	05LYF008
Eff. date	11-08-2023
CD Diagram	CD0005
Poles	06
Leads	9#18
Proprietary	False
Created date	09-09-2022

Electrically Isolated Bearing	Not Electrically Isolated
Feedback Device	NO FEEDBACK
Front Shaft Indicator	None
Haz Area Temp Code	T4
Heater Indicator	No Heater
High Voltage Full Load Amps	1.8 a
Insulation Class	F
Inverter Code	Inverter Ready
KVA Code	J
Lifting Lugs	Standard Lifting Lugs
Locked Bearing Indicator	No Locked Bearing
Max Speed	1800 rpm
Motor Lead Quantity/Wire Size	9 @ 18 AWG
Motor Lead Termination	Flying Leads
Motor Standards	NEMA
Motor Type	0526M
Mounting Arrangement	F1
Number of Poles	6
Overall Length	12.88 IN
Power Factor	64
Product Family	Chemical Processing (Not DC)
Pulley End Bearing Type	Ball
Pulley Face Code	Standard
Pulley Shaft Indicator	Standard
Rodent Screen	None
Service Factor	1.15
Shaft Diameter	0.875 IN
Shaft Ground Indicator	No Shaft Grounding
Shaft Rotation	Reversible
Shaft Slinger Indicator	Shaft Slinger
Speed	1170 rpm
Speed Code	Single Speed
Starting Method	Direct on line
Thermal Device - Bearing	None

Thermal Device - Winding	None
Vibration Sensor Indicator	No Vibration Sensor
Winding Thermal 1	None
Winding Thermal 2	None

Nameplate

NP3258									
CAT.NO.	ECP3582T								
SPEC.	05F008X907G1								
HP	1 TE								
VOLTS	208-230/460								
AMP	3.6-3.56/1.78								
RPM	1170								
FRAME	145T	HZ	60	PH	3				
SER.F.	1.15	CODE	J	DES	B	CL	F		
RATING	40C AMB-CONT								
SN									
DE	6205	ODE	6205						
NEMA-NOM-EFF	82.5	PF	64						
G.MIN.EFF	80	CC	010A						
T. CODE	T4	T=	135						

NP3261			
SPEC.	05F008X907G1		
D.E. BRG.	25BC02XP30X		
O.D.E. BRG.	25BC02XP30X		
GREASE	POLYREX EM		
RPM MAX	1800	MAX. KVAR	0.66
BLANK	SFA 4-3.9/1.95		
INV.TYPE	PWM		
T=	135		
C HP FR	60	C HP TO	90
CT HZ FROM	2	CT HZ TO	60
VT HZ FROM	-0	VT HZ TO	60
HTR-VOLTS	145TCZ	HTR-AMPS	
HTR-WATTS		MAX. SPACE HEATER TEMP.	

Accessories

Part number	Description	Multiplier
35-1300	C FACE KIT	A8

AC Induction Motor Performance Data

Record # 87637

Typical performance - not guaranteed values

Winding: 05WGX907-R001		Type: 0526M		Enclosure: TEFC	
Nameplate Data			460 V, 60 Hz: High Voltage Connection		
Rated Output (HP)	1	Full Load Torque	4.47 LB-FT		
Volts	208-230/460	Start Configuration	direct on line		
Full Load Amps	3.6-3.56/1.78	Breakdown Torque	13.22 LB-FT		
R.P.M.	1170	Pull-up Torque	7.94 LB-FT		
Hz	60 Phase	3	Locked-rotor Torque	9.7 LB-FT	
NEMA Design Code	B KVA Code	J	Starting Current	10.19 A	
Service Factor (S.F.)		1.15	No-load Current	1.19 A	
NEMA Nom. Eff.	82.5 Power Factor	64	Line-line Res. @ 25°C	19.9 Ω	
Rating - Duty		40C AMB-CONT	Temp. Rise @ Rated Load	48°C	
S.F. Amps		4-3.9/1.95	Temp. Rise @ S.F. Load	57°C	
			Locked-rotor Power Factor	50.1	
			Rotor inertia	0.189 lb-ft ²	

Load Characteristics 460 V, 60 Hz, 1 HP

% of Rated Load	25	50	75	100	125	150	S.F.
Power Factor	27	43	55	64	70	73	68
Efficiency	70.2	80.1	82.3	82.5	81.5	79.4	81.9
Speed	1193	1187	1180	1172	1163	1153	1167
Line amperes	1.23	1.36	1.54	1.78	2.06	2.41	1.95

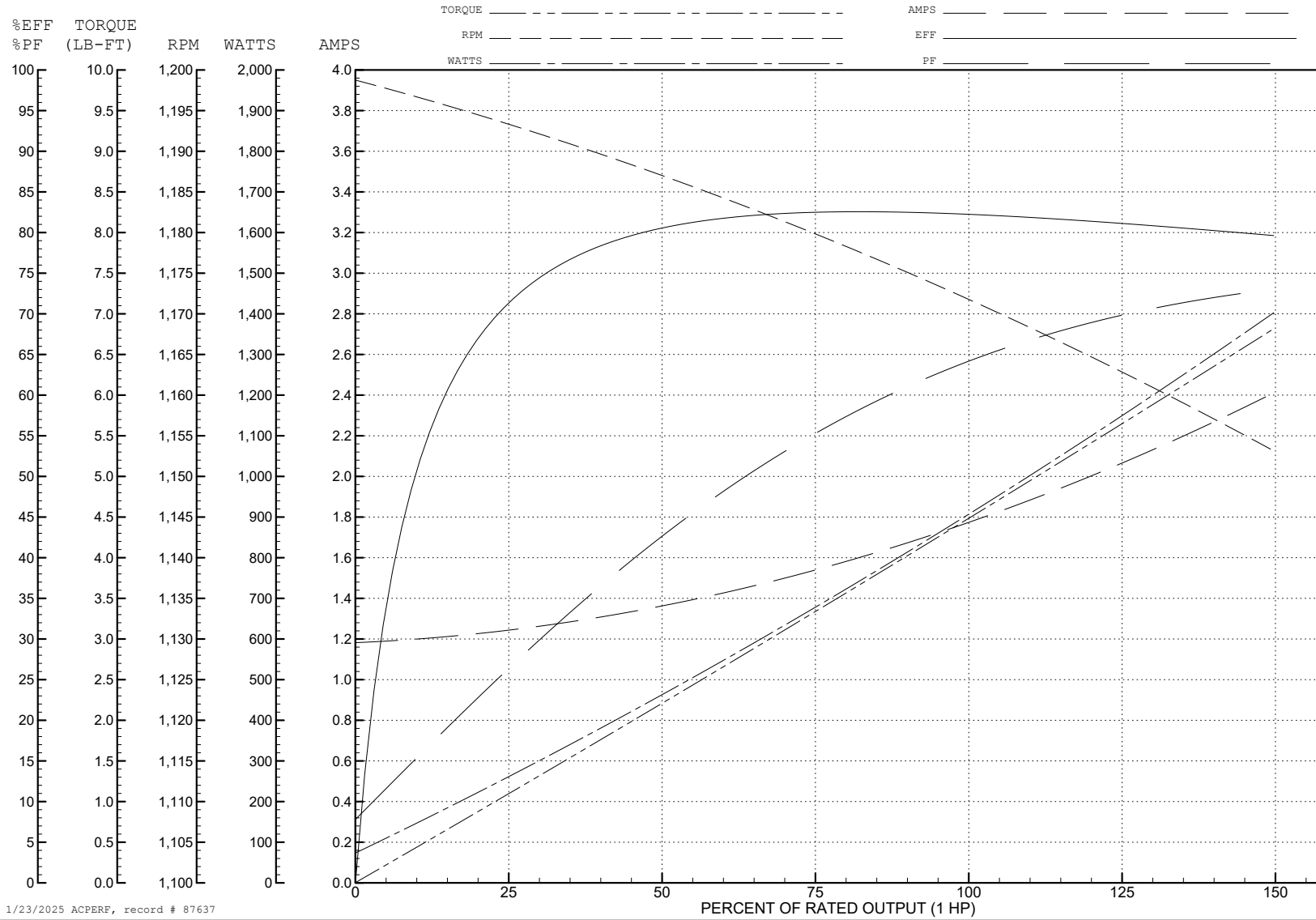
ABB Motors and Mechanical Inc.

WINDING # 05WGX907

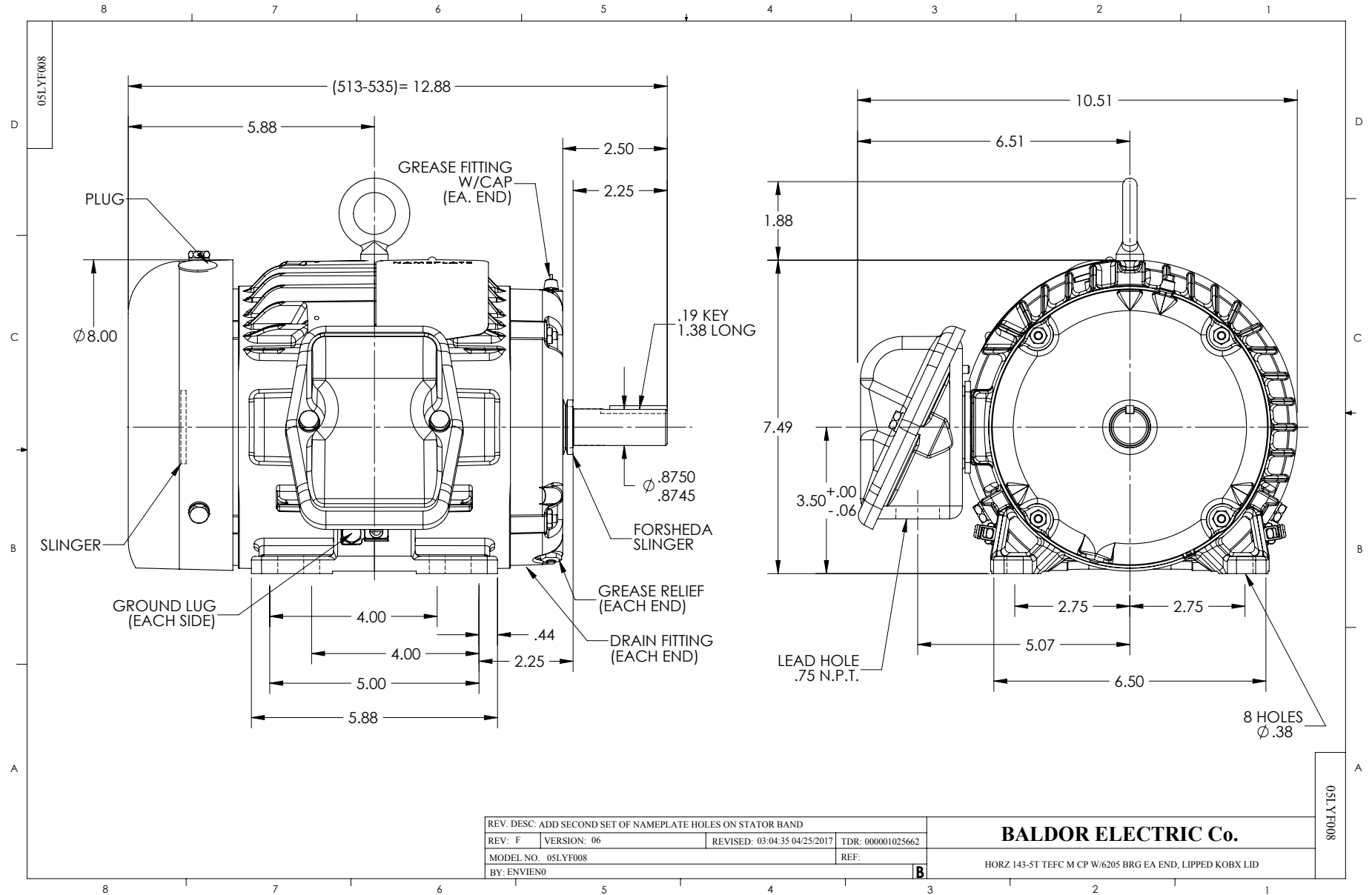
Typical performance - not guaranteed values.

1 HP 3 PH 60 HZ 1170 RPM 460 V 0526M

TORQUES (LB-FT): PO=13.22 PU=7.94 LR=9.7 LRA=10.19



1/23/2025 ACPERF, record # 87637



CD0005



LOW VOLTAGE
(2Y)



LINE

HIGH VOLTAGE
(1Y)



LINE

NOTES:

1. INTERCHANGE ANY TWO LINE LEADS TO REVERSE ROTATION.
2. OPTIONAL THERMOSTATS ARE PROVIDED WHEN SPECIFIED.
3. ACTUAL NUMBER OF INTERNAL PARALLEL CIRCUITS MAY BE A MULTIPLE OF THOSE SHOWN ABOVE.
4. LEAD COLORS ARE OPTIONAL. LEADS MUST ALWAYS BE NUMBERED AS SHOWN.

CD0005

REV. DESC: REVISE TO SHOW OPTIONAL COLORS			
REV. LTR: E	BY: JLP	REVISED: 01/19/99 10:15	TDR: 0171435
S00000		FILE: AAA00005140	MDL: -
		MTL: -	

BALDOR ELECTRIC Co.

3PH, DV, 9 LEADS