



Customer information packet

ECP2401T-4

7.5HP, 880RPM, 3PH, 60HZ, 256T, 0960M, TEFC, F1

Class - CLI GP A,B,C,D

Division - Division II

Specifications

Enclosure	TEFC
Frame	256T
Frame Material	Iron
Frequency	60.00 Hz
Haz Area Class and Group	CLI GP A,B,C,D
Haz Area Division	Division II
Motor Letter Type	Three Phase
Output @ Frequency	7.500 HP @ 60 HZ
Phase	3
Synchronous Speed @ Frequency	900 RPM @ 60 HZ
Voltage @ Frequency	460.0 V @ 60 HZ
Agency Approvals	CSA EEV NEMA PREMIUM NEMA_PREMIUM UR CCSA US
Ambient Temperature	40 °C
Auxillary Box	No Auxillary Box
Auxillary Box Lead Termination	None
Base Indicator	Rigid
Bearing Grease Type	Polyrex EM (-20F +300F)
Blower	None
Constant Torque Speed Range	1.3
Current @ Voltage	12.100 A @ 460.0 V
Design Code	A
Drip Cover	No Drip Cover
Duty Rating	CONT
Efficiency @ 100% Load	86.5 %
Electrically Isolated Bearing	Not Electrically Isolated
Enclosure Modification	Severe Duty Features
Feedback Device	NO FEEDBACK
Front Face Code	Standard

Part detail

Revision	P
Type	AC
Mech. spec.	09J371
Base	
Status	PRD/A
Elec. spec.	09WGT416
Layout	09LYJ371
Eff. date	11-15-2023
CD Diagram	CD0006
Poles	08
Leads	3#12
Proprietary	False
Created date	02-03-2017

Front Shaft Indicator	None
Haz Area Temp Code	T3C
Heater Indicator	No Heater
High Voltage Full Load Amps	12.1 a
Insulation Class	F
Inverter Code	Inverter Duty
KVA Code	J
Lifting Lugs	Standard Lifting Lugs
Locked Bearing Indicator	Locked Bearing
Max Speed	1350 rpm
Motor Lead Exit	Ko Box
Motor Lead Quantity/Wire Size	3 @ 12 AWG
Motor Lead Termination	Flying Leads
Motor Standards	NEMA
Motor Type	0960M
Mounting Arrangement	F1
Number of Poles	8
Overall Length	24.78 IN
Power Factor	67
Product Family	Super-E Chemical Processing
Pulley End Bearing Type	Ball
Pulley Face Code	Standard
Pulley Shaft Indicator	Standard
Rodent Screen	None
Service Factor	1.15
Shaft Diameter	1.625 IN
Shaft Extension Location	Pulley End
Shaft Ground Indicator	No Shaft Grounding
Shaft Rotation	Reversible
Shaft Slinger Indicator	Shaft Slinger
Speed	880 rpm
Speed Code	Single Speed
Starting Method	Direct on line
Thermal Device - Bearing	None

Thermal Device - Winding	None
Vibration Sensor Indicator	No Vibration Sensor
Winding Thermal 1	None
Winding Thermal 2	None

AC Induction Motor Performance Data

Record # 62356

Typical performance - not guaranteed values

Winding: 09WGT416-R001		Type: 0960M		Enclosure: TEFC	
Nameplate Data			460 V, 60 Hz: Single Voltage Motor		
Rated Output (HP)	7.5	Full Load Torque	44.3 LB-FT		
Volts	460	Start Configuration	direct on line		
Full Load Amps	12.1	Breakdown Torque	105 LB-FT		
R.P.M.	880	Pull-up Torque	58 LB-FT		
Hz	60	Locked-rotor Torque	95.1 LB-FT		
NEMA Design Code	A	Starting Current	68.6 A		
Service Factor (S.F.)	1.15	No-load Current	6.76 A		
NEMA Nom. Eff.	86.5	Line-line Res. @ 25°C	1.246 Ω		
Rating - Duty	40C	Temp. Rise @ Rated Load	68°C		
S.F. Amps	AMB-CONT	Temp. Rise @ S.F. Load	86°C		
		Locked-rotor Power Factor	27.9		

Load Characteristics 460 V, 60 Hz, 7.5 HP

% of Rated Load	25	50	75	100	125	150	S.F.
Power Factor	30	49	60	67	70	72	69
Efficiency	80.8	86.8	87.4	86.6	85	82.9	85.6
Speed	896.4	892	887.4	882.3	875.8	868.3	878
Line amperes	7.16	8.42	10.1	12.1	14.7	17.6	13.7

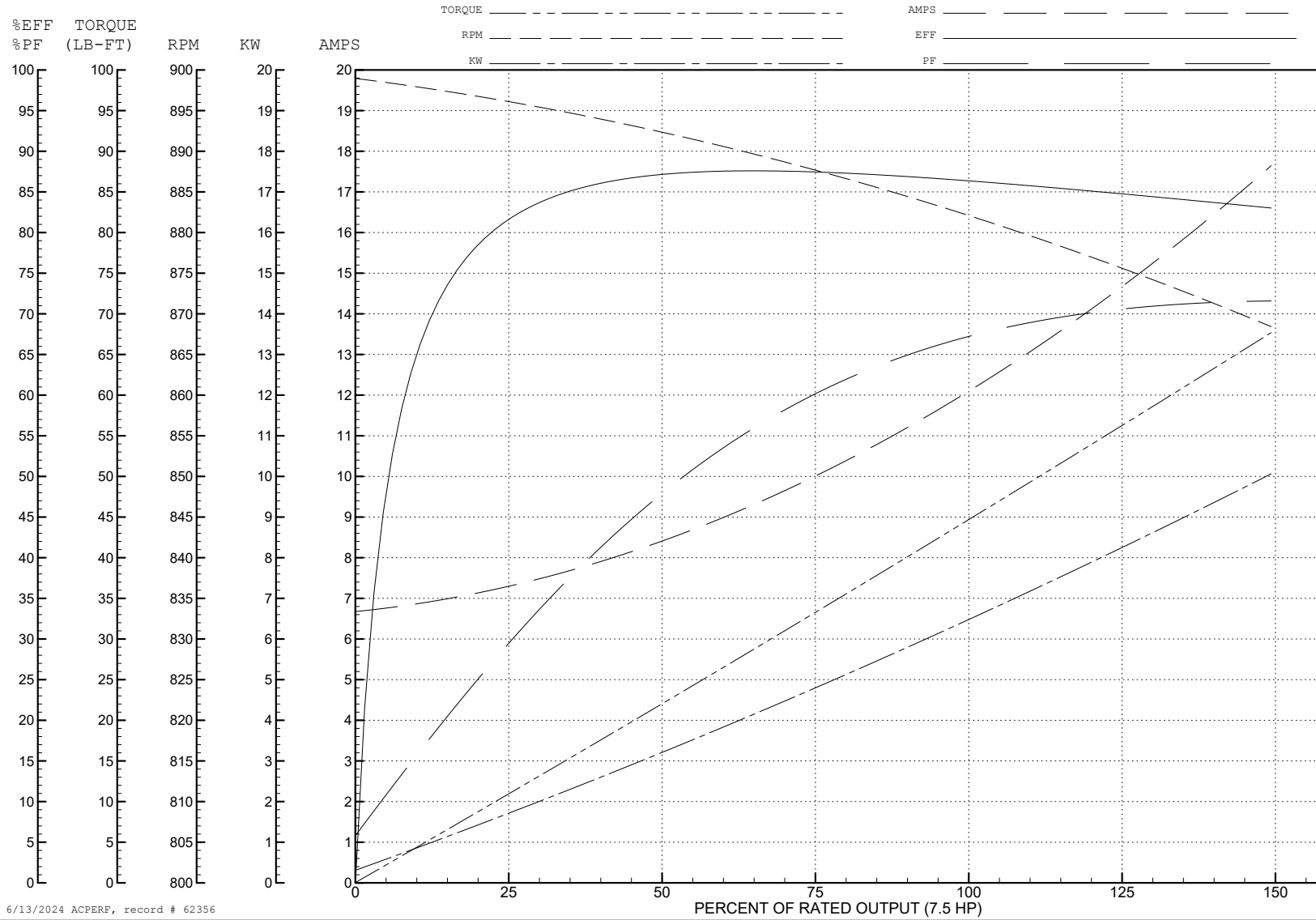
ABB Motors and Mechanical Inc.

WINDING # 09WGT416

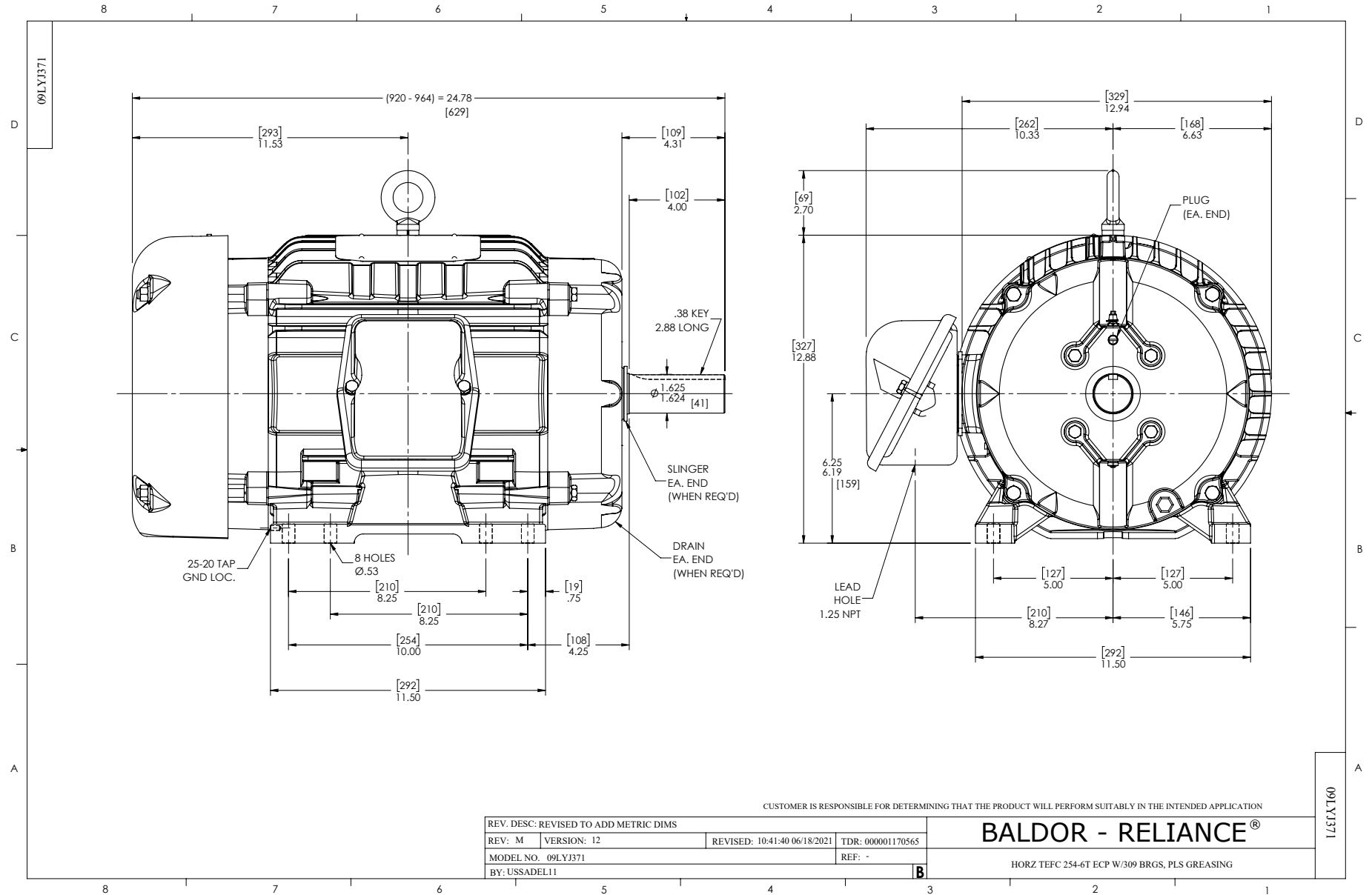
7.5 HP 3 PH 60 HZ 880 RPM 460 V 0960M

Typical performance - not guaranteed values.

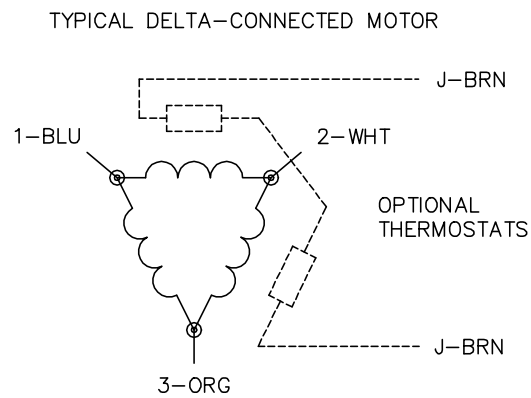
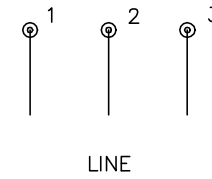
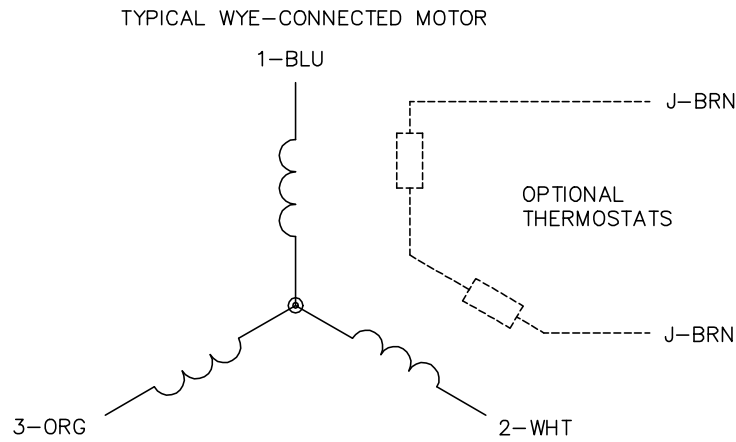
TORQUES (LB-FT): PO=105 PU=58 LR=95.1 LRA=68.6



6/13/2024 ACPERF, record # 62356



CD0006



NOTES:

1. THREE LEAD MOTOR MAY BE EITHER WYE CONNECTED OR DELTA CONNECTED.
2. INTERCHANGE ANY TWO LINE LEADS TO REVERSE ROTATION.
3. OPTIONAL THERMOSTATS ARE PROVIDED WHEN SPECIFIED.
4. ACTUAL NUMBER OF INTERNAL PARALLEL CIRCUITS MAY VARY.
5. LEAD COLORS ARE OPTIONAL. LEADS MUST BE NUMBERED AS SHOWN.

CD0006

REV. DESC: ADD CLASS CONN00000007		
REV. LTR: E	VERSION: 01	TDR: 000001099922
FILE: \AAA\00005\141	REVISED: 10:24:49 02/19/2019	BY: ENBRIRO
MTL: -	© □	

BALDOR - RELIANCE®

3PH, SV, 3 LEADS, WYE OR DELTA CONNECTED

SH 1 of 1