

**BALDOR • RELIANCE**

---

# Customer information packet

## ECC101M0H5DF4

5HP, 1800RPM, 3PH, 60HZ, 145T, 3548B, TEFC, F1

Class - None

Division - Not Applicable

## Specifications

Enclosure	TEFC
Frame	145T
Frame Material	Steel
Frequency	60.00 Hz
Haz Area Class and Group	None
Haz Area Division	Not Applicable
Motor Letter Type	Brushless Wound Field PM Rotor
Output @ Frequency	5.000 HP @ 60 HZ
Phase	3
Synchronous Speed @ Frequency	1800 RPM @ 60 HZ
Voltage @ Frequency	230.0 V @ 60 HZ 460.0 V @ 60 HZ
Agency Approvals	WEEE UL
Ambient Temperature	40 °C
Auxillary Box	No Auxillary Box
Auxillary Box Lead Termination	None
Base Indicator	Rigid
Bearing Grease Type	Polyrex EM (-20F +300F)
Blower	None
Constant Torque Speed Range	6
Current @ Voltage	10.400 A @ 230.0 V 5.200 A @ 460.0 V
Design Code	-
Drip Cover	No Drip Cover
Duty Rating	CONT
Efficiency @ 100% Load	93.0 %
Electrically Isolated Bearing	Electrically Isolated Bearings
Feedback Device	NO FEEDBACK
Heater Indicator	No Heater
High Voltage Full Load Amps	5.2 a
Insulation Class	H

## Part detail

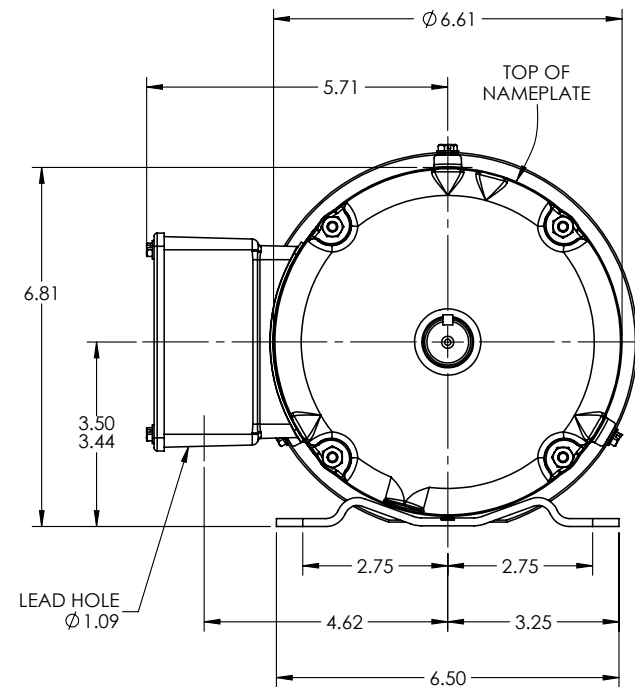
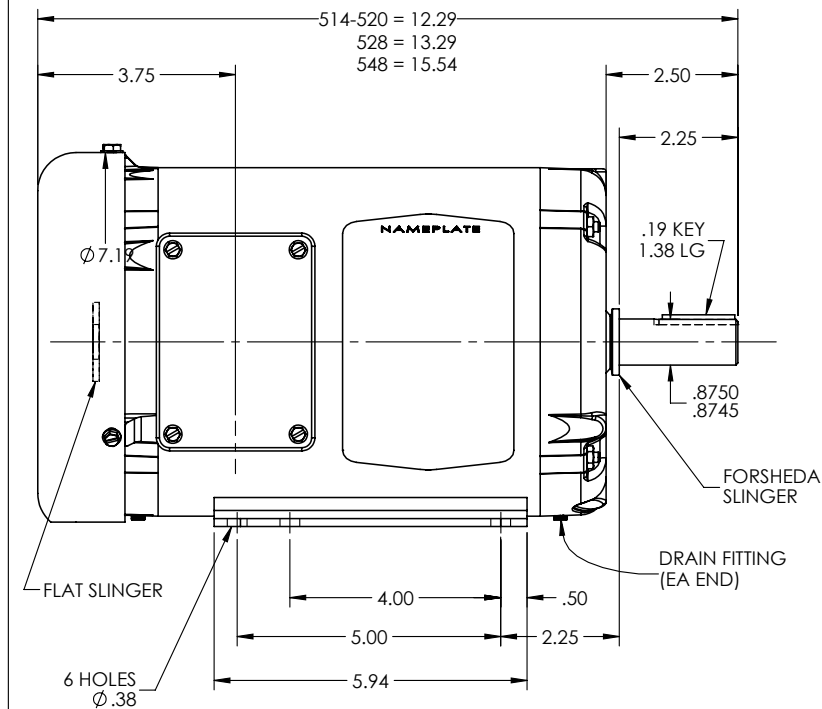
Revision	-
Type	AC
Mech. spec.	35E5932
Base	
Status	PRD/A
Elec. spec.	35WGG930
Layout	35LYE5932
Eff. date	06-13-2024
CD Diagram	CD0005A25
Poles	04
Leads	9#14
Proprietary	False
Created date	03-22-2024

<b>Inverter Code</b>	<b>Inverter Duty</b>
<b>KVA Code</b>	-
<b>Lifting Lugs</b>	No Lifting Lugs
<b>Locked Bearing Indicator</b>	No Locked Bearing
<b>Max Speed</b>	4000 rpm
<b>Motor Lead Quantity/Wire Size</b>	9 @ 14 AWG
<b>Motor Lead Termination</b>	Flying Leads
<b>Motor Standards</b>	NEMA
<b>Motor Type</b>	3548B
<b>Mounting Arrangement</b>	F1
<b>Number of Poles</b>	4
<b>Overall Length</b>	15.54 IN
<b>Power Factor</b>	97
<b>Product Family</b>	General Purpose
<b>Pulley Face Code</b>	Standard
<b>Rodent Screen</b>	None
<b>RoHS Status</b>	Y
<b>Service Factor</b>	1.15
<b>Shaft Diameter</b>	0.875 IN
<b>Shaft Ground Indicator</b>	No Shaft Grounding
<b>Shaft Rotation</b>	Reversible
<b>Speed</b>	1800 rpm
<b>Speed Code</b>	Single Speed
<b>Starting Method</b>	Direct on line
<b>Thermal Device - Bearing</b>	None
<b>Thermal Device - Winding</b>	None
<b>Vibration Sensor Indicator</b>	No Vibration Sensor
<b>Winding Thermal 1</b>	None
<b>Winding Thermal 2</b>	None

**Nameplate**

<b>NP4246A01M03</b>										
<b>CAT #</b>	ECC101M0H5DF4				<b>WGT</b>	70	<b>LBS</b>			
<b>SPEC</b>	35E5932G930				<b>ENCL</b>	TEFC				
<b>SER #</b>				<b>FRAME</b>	145T	<b>IP</b>	54			
<b>HP</b>	5	<b>RATING</b>	40C AMB-CONT							
<b>NOM.EFF.</b>	93	<b>PF</b>	97	<b>HZ</b>	60	<b>PH</b>	3	<b>CLASS</b>	H	
<b>VOLTS</b>	230/460			<b>AMPS</b>	10.4/5.2					
<b>SER.F.</b>	1.15	<b>RPM</b>	1800	<b>MAX RPM</b>	4000					
<b>BEMF (V)</b>	113/227			<b>RS (OHMS)</b>	0.84/3.35					
<b>LD(MH)</b>	8.1/32.4			<b>LQ(MH)</b>	37.7/150.6					
<b>VPWM</b>	<b>CHP</b>	60	<b>TO</b>	120						
<b>CT</b>	6	<b>TO</b>	60	<b>VT</b>	1	<b>TO</b>	60			
<b>MATCHED INV</b>	ACS380-04xx-12A7-1 / 06A3-4									
<b>DE</b>	6205			<b>ODE</b>	6203					
<b>YR:</b>										

35LYE5932



CUSTOMER IS RESPONSIBLE FOR DETERMINING THAT THE PRODUCT WILL PERFORM SUITABLY IN THE INTENDED APPLICATION

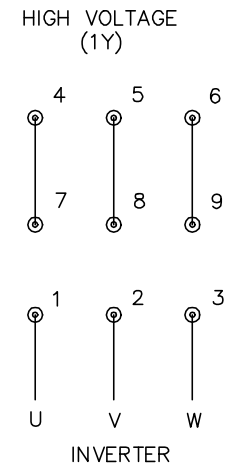
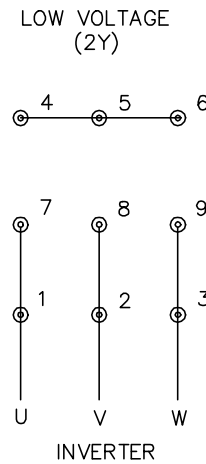
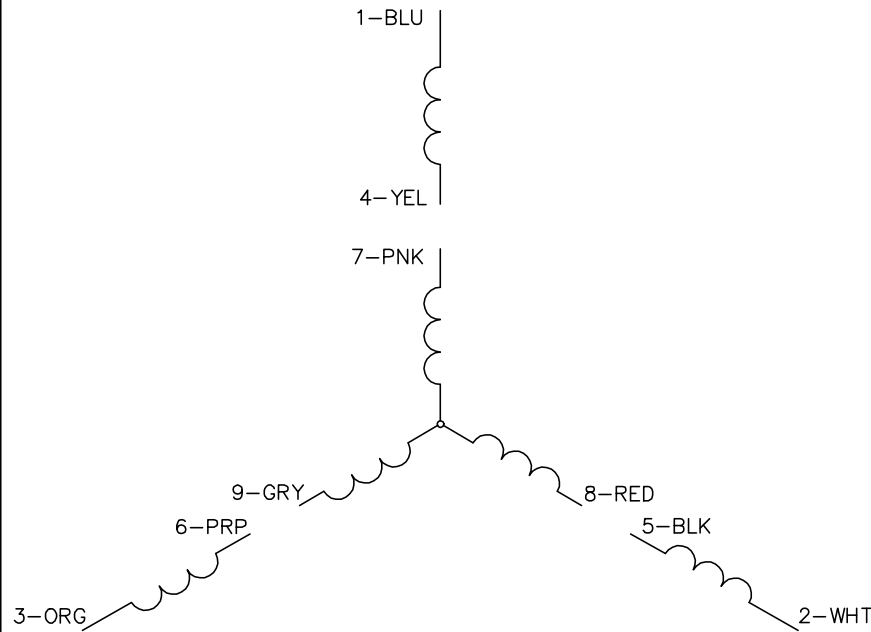
REV. DESC: NEW			
REV: -	VERSION: 00	REVISED: 04:47:33 08/09/2022	TDR: 000001194572
MODEL NO. 35LYE5932		REF: -	
BY: USGRHUR			

**BALDOR - RELIANCE®**

HOR 143-5T TEFC B ECS

35LYE5932

CD0005A25



NOTES:

1. INTERCHANGE ANY TWO LINE LEADS TO REVERSE ROTATION.
2. ACTUAL NUMBER OF INTERNAL PARALLEL CIRCUITS MAY BE A MULTIPLE OF THOSE SHOWN ABOVE.
3. LEAD COLORS ARE OPTIONAL. LEADS MUST ALWAYS BE NUMBERED AS SHOWN.

CD0005A25

REV. DESC: NEW		
REV. LTR: -	VERSION: 00	TDR: 000001135746
FILE: \AAA\00253\082	REVISED: 01:10:57 03/30/2020	BY: ENMARSO
MTL: -	© □	

**BALDOR - RELIANCE®**

3PH, DV, 9 LEADS, ECS  
SH 1 of 1