

BALDOR • RELIANCE

Customer information packet

ECC101M0H15FF4

15HP, 1800RPM, 3PH, 60HZ, 145T, 3548B, TEFC, F1

Class - None

Division - Not Applicable

Specifications

Enclosure	TEFC
Frame	215T
Frame Material	Steel
Frequency	60.00 Hz
Haz Area Class and Group	None
Haz Area Division	Not Applicable
Motor Letter Type	Three Phase
Output @ Frequency	15.000 HP @ 60 HZ
Phase	3
Synchronous Speed @ Frequency	1800 RPM @ 60 HZ
Voltage @ Frequency	230.0 V @ 60 HZ 460.0 V @ 60 HZ
Agency Approvals	WEEE UL
Ambient Temperature	40 °C
Auxillary Box	No Auxillary Box
Auxillary Box Lead Termination	None
Base Indicator	Rigid
Bearing Grease Type	Polyrex EM (-20F +300F)
Blower	None
Constant Torque Speed Range	6
Current @ Voltage	17.400 A @ 460.0 V 34.800 A @ 230.0 V
Drip Cover	No Drip Cover
Duty Rating	CONT
Efficiency @ 100% Load	95.6 %
Electrically Isolated Bearing	Not Electrically Isolated
Feedback Device	NO FEEDBACK
Heater Indicator	No Heater
High Voltage Full Load Amps	17.4 a
Insulation Class	F
Inverter Code	Inverter Duty

Part detail

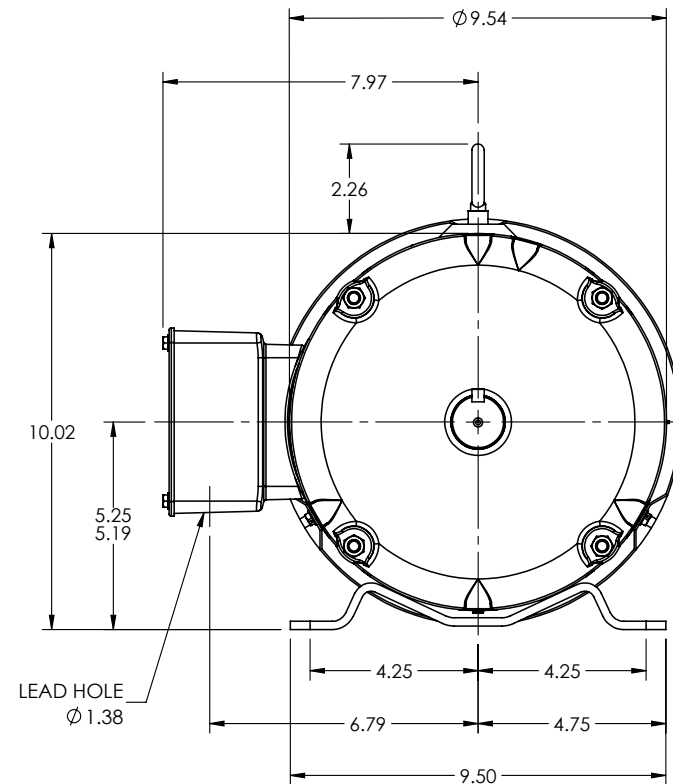
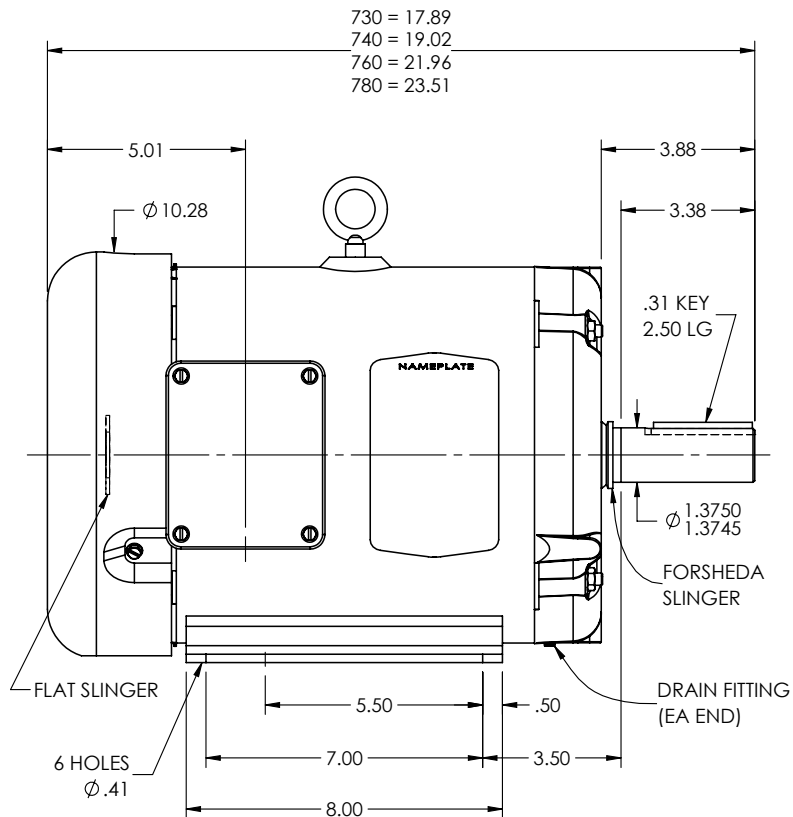
Revision	D
Type	AC
Mech. spec.	
Base	
Status	PRD/A
Elec. spec.	37WGA0018
Layout	37LY-000-406
Eff. date	01-28-2025
CD Diagram	CD0005A25
Poles	04
Leads	9#12
Proprietary	False
Created date	08-08-2022

Lifting Lugs	Standard Lifting Lugs
Locked Bearing Indicator	Locked Bearing
Max Speed	3000 rpm
Motor Lead Termination	Flying Leads
Motor Standards	NEMA
Motor Type	3760B
Mounting Arrangement	F1
Number of Poles	4
Overall Length	21.96 IN
Power Factor	97
Product Family	General Purpose
Pulley Face Code	Standard
Rodent Screen	None
Service Factor	1.50
Shaft Diameter	1.375 IN
Shaft Ground Indicator	Shaft Grounding
Shaft Rotation	Reversible
Speed	1800 rpm
Speed Code	Single Speed
Starting Method	Direct on line
Thermal Device - Bearing	None
Thermal Device - Winding	None
Vibration Sensor Indicator	No Vibration Sensor
Winding Thermal 1	None
Winding Thermal 2	None

Nameplate

NP4246N15M03											
CAT #	ECC101M0H15FF4					WGT	256	LBS			
SPEC	37-0000-0480					ENCL	TEFC				
SER #				FRAME	215T		IP	54			
HP	15		RATING	40C AMB-CONT							
NOM.EFF.	95.6	PF	97	HZ	60	PH	3	CLASS	F		
VOLTS	230/460			AMPS	35.49/17.75						
SER.F.	1.50	RPM	1800		MAX RPM	3000					
BEMF (V)	117/234			RS (OHMS)	0.12/0.50						
LD(MH)	3.39/13.46			LQ(MH)	10.59/42.17						
VPWM	CHP	60		TO	100						
CT	6	TO	60	VT	1	TO	100				
MATCHED INV	ACS380-04XX-[N/A] / 25A0-4										
DE	6307		ODE	6206		YR:					

37LY-000-406



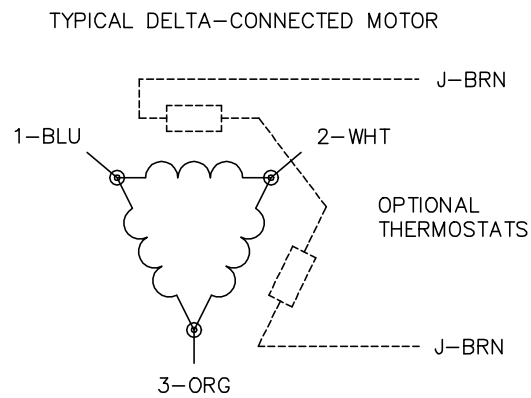
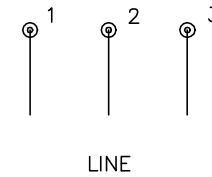
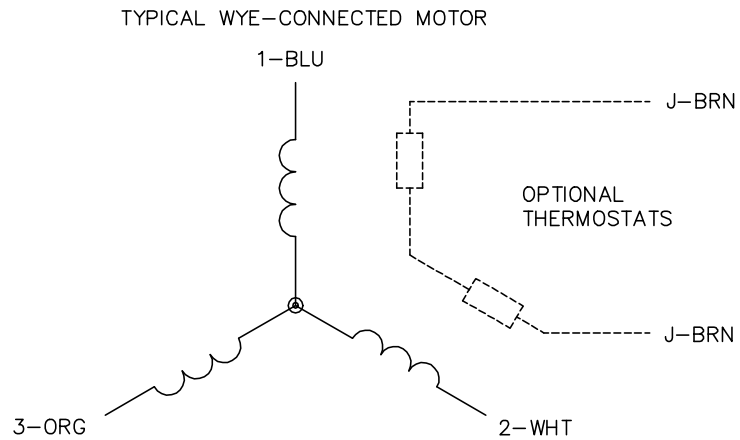
REV. DESC: NEW			
REV: -	VERSION: 00	REVISED: 05:02:04 08/09/2022	TDR: 000001194572
900-000-1113		MODEL NO. 37LY-000-406	REF: -
		BY: USGRHUR	

BALDOR - RELIANCE®

HORZ 213-5T TEFC B ECS

37LY-000-406

CD0006



NOTES:

1. THREE LEAD MOTOR MAY BE EITHER WYE CONNECTED OR DELTA CONNECTED.
2. INTERCHANGE ANY TWO LINE LEADS TO REVERSE ROTATION.
3. OPTIONAL THERMOSTATS ARE PROVIDED WHEN SPECIFIED.
4. ACTUAL NUMBER OF INTERNAL PARALLEL CIRCUITS MAY VARY.
5. LEAD COLORS ARE OPTIONAL. LEADS MUST BE NUMBERED AS SHOWN.

CD0006

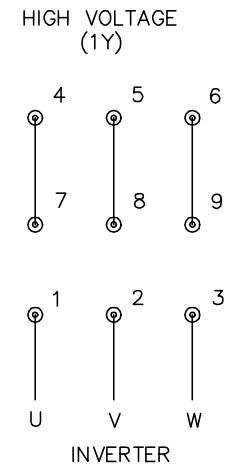
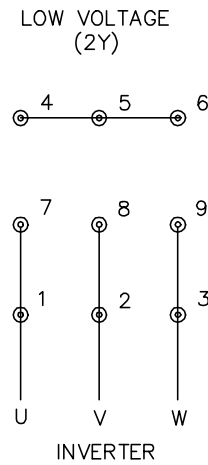
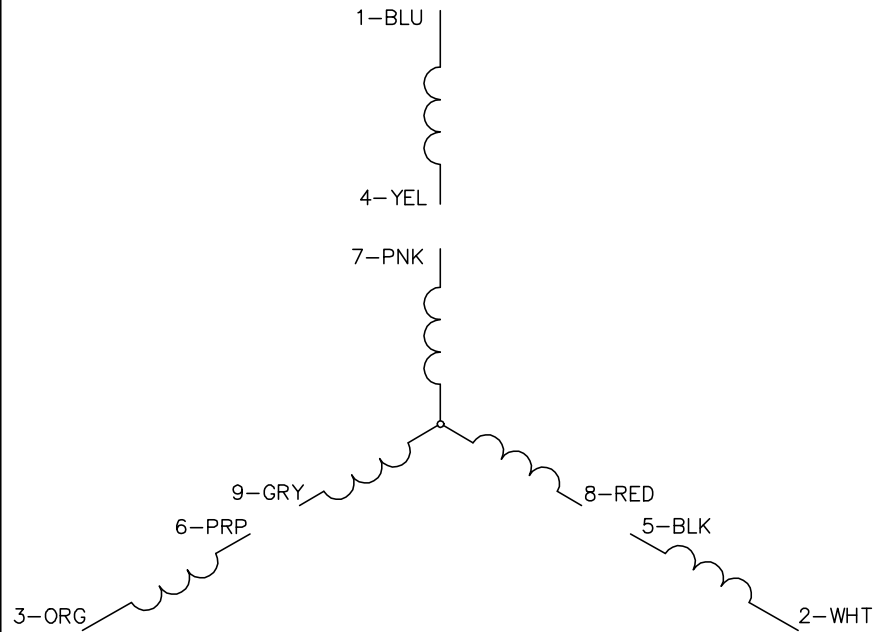
REV. DESC: ADD CLASS CONN00000007		
REV. LTR: E	VERSION: 01	TDR: 000001099922
FILE: \AAA\00005\141	REVISED: 10:24:49 02/19/2019	BY: ENBRIRO
MTL: -	© □	

BALDOR - RELIANCE®

3PH, SV, 3 LEADS, WYE OR DELTA CONNECTED

SH 1 of 1

CD0005A25



NOTES:

1. INTERCHANGE ANY TWO LINE LEADS TO REVERSE ROTATION.
2. ACTUAL NUMBER OF INTERNAL PARALLEL CIRCUITS MAY BE A MULTIPLE OF THOSE SHOWN ABOVE.
3. LEAD COLORS ARE OPTIONAL. LEADS MUST ALWAYS BE NUMBERED AS SHOWN.

CD0005A25

REV. DESC: NEW		
REV. LTR: -	VERSION: 00	TDR: 000001135746
FILE: \AAA\00253\082	REVISED: 01:10:57 03/30/2020	BY: ENMARSO
MTL: -	© □	

BALDOR - RELIANCE®

3PH, DV, 9 LEADS, ECS
SH 1 of 1